

VST-39/43/50/55-TN

Articulated Telescopic Aerial Device

HYDRAULIC PLATFORM ROTATION: 180°

HORIZONTAL REACH: Up to 30' 2"

WORKING HEIGHT: Up to 59' 7"

PLATFORM CAPACITY: Up to 500 lbs.



The **VERSALIFT** product line has grown to encompass models for every market. Whether it be a 29' man lift or a 108' material handler, there is a **VERSALIFT** to get the job done.

For more information

Versalift
254.399.2100
www.VERSALIFT.com

VST-39/43/50/55-TN

Articulated Telescopic Aerial Device



General Specifications (based on 40" frame)

	VST-39-TN	VST-43-TN	VST-50-TN	VST-55-TN
Horizontal Reach	26' 0" (7.9 m)	30' (9.1 m)	30' 7" (9.3 m)	30' 2" (9.2 m)
Maximum Platform Capacity	500 lbs. (227 kg)	500 lbs. (227 kg)	500 lbs. (227 kg)	500 lbs. (227 kg)
Max Jib Capacity	200 lbs. (90 kg)	200 lbs. (90 kg)	200 lbs. (90 kg)	200 lbs. (90 kg)

HEIGHT WITH STANDARD PEDESTAL

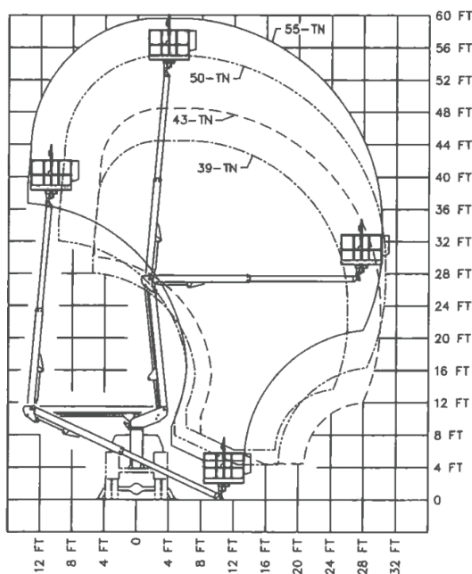
Bottom of Platform Height	39' 5" (12.0 m)	43' 5" (13.2 m)	49' (15.1 m)	53' 7" (16.3 m)
Working Height	44' -5" (13.5 m)	48' 5" (14.8 m)	54' (16.6 m)	59' 7" (17.9 m)
Stowed Travel Height	10' 6" (3.2 m)	10' 6" (3.2 m)	10' 6" (3.2 m)	10' 6" (3.2 m)

BOOM ACTION

Outer/Inner Boom Articulation	-25 to 85°	-25 to 85°	-25 to 85°	-25 to 85°
Inner Boom Extension	79" (2.0 m)	103" (2.6 m)	103" (2.6 m)	103" (2.6 m)
Lower Boom Articulation	87°	87°	84°	84°
Rotation	360°	360°	360°	360°

VEHICLE REQUIREMENTS

Cabe to Axle (minimum)	60" (1.5 m)	84" (2.14 m)	84" (2.14 m)	102" (2.6 m)
GVWR	17,500 lbs. (7,940 kg)	17,500 lbs. (7,940 kg)	17,500 lbs. (7,940 kg)	21,000 lbs. (9,545 kg)



NOTE:

1. Specifications may vary without prior notice
2. Required GVWR can vary significantly with chassis, lift mounting, location, service body, accessories and desired payload.

OPTIONS:

- Auxiliary Outriggers
- Second Set of Tool Power Ports
- Lifting Eye
- Backup Pump
- Two-Speed Manual Throttle Control
- Various Pedestal Heights
- 120 Volt Outlet at Platform