

SST-37/40-ENH

Articulated/Telescopic Aerial Lift

WORKING HEIGHT: Up to 45 ft (13.7 m)

HORIZONTAL REACH: 27 ft 9 in (8.5 m)

PLATFORM CAPACITY: Up to 450 lbs (204 kg)

**FULL
PRESSURE
HYDRAULIC
CONTROLS**



SST-37-ENH model shown here.



VERSALIFT is a leading global manufacturer of bucket trucks, digger derricks, cable placers and other specialty equipment for use in the power generation, transmission and distribution, investor-owned utility, telecommunications, bridge inspection, light and sign, and forestry industries. Providing equipment sales, service, training, warranty and financing to government agencies, corporations, contractors, co-ops and municipalities through its global network of facilities and distributors, the company employs more than 900 employees worldwide.

SST-37/40-ENH



Articulated/Telescopic Aerial Lift

GENERAL SPECIFICATIONS:

(Based on 40" Frame)

| | |
|------------------------------|--------------------|
| Horizontal Reach | 27 ft 9 in (8.5 m) |
| Standard Platform Capacity | 300 lbs (136 kg) |
| Maximum Platform Capacity | 450 lbs (204 kg) |
| Outer Boom Lift Eye Capacity | 500 lbs (227 kg) |

WITH STANDARD PEDESTAL:

Height to Bottom of Platform

| | |
|------------|----------------|
| SST-37-ENH | 37 ft (11.3 m) |
| SST-40-ENH | 40 ft (12.2 m) |

Working Height

| | |
|------------|----------------|
| SST-37-ENH | 42 ft (12.8 m) |
| SST-40-ENH | 45 ft (13.7 m) |

Stowed Travel Height

10 ft 4 in (3.15 m)

HYDRAULIC SYSTEM:

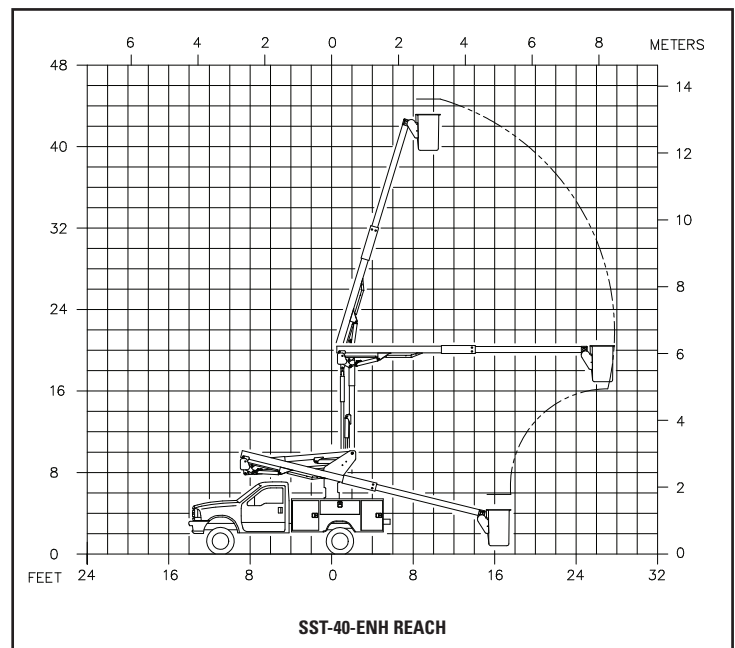
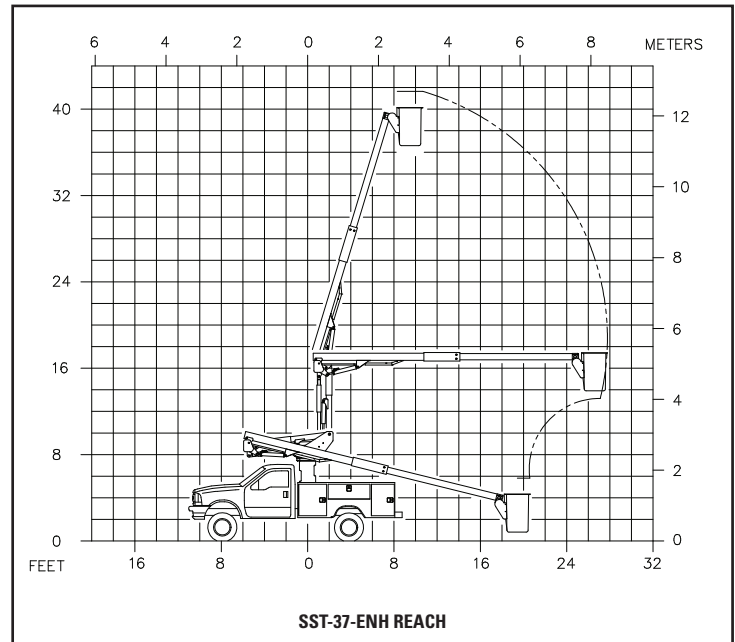
| | |
|--------------------|--------------------------------------|
| Operating Pressure | 2250 psi (155 bar) |
| Flow Rate | 3 gpm (11 lpm) |
| Filtration | 10 micron return 100 mesh suction |
| System Type | Open Center |

BOOM ACTION:

| | |
|----------------------|---------------------|
| Inner Boom Extension | 116 in (2.9 m) |
| Outer Boom | -14° to +74° |
| Lower Boom | |
| SST-37-ENH | -7° to Vertical |
| SST-40-ENH | -5° to Vertical |
| Rotation | 370° Non-Continuous |

OPTIONS:

- 4-Axis Control System
- Continuous Rotation
- 180° Rotating Platform
- Backup 12-Volt Pump
- Hydraulic Tool Circuit at the Platform
- Independent Outriggers
- Two-Speed Control System
- Rear Torsion Bars
- 120 Volt to Platform
- Automatic Boom Latch



Note: Specifications on units may vary or change without prior notifications due to option selections.