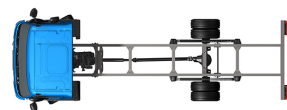


# Specification sheet

# LF 180

FA 4X2 Rigid, 12t



## ENGINES

- LF 180 PX-5 (135 kW / 184 hp)
- LF 210 PX-5 (157 kW / 213 hp)
- LF 230 PX-7 (172 kW / 234 hp)
- LF 260 PX-7 (194 kW / 264 hp)

## GVM<sup>1)</sup>

- 12000 kg
- Max. front 4480 kg
- Max. rear 8480 kg

## GCM<sup>2)</sup>

- 12000 kg

016F3602BBAA - 201841p - 27-06-2018

DAF Trucks Ltd, Thame, Oxon. OX9 3FB, [www.daf.co.uk](http://www.daf.co.uk)

## CAB EXTERIOR

Day Cab with steel bumper, tinted glass and electric window openers. Main mirrors and wide angle mirrors electrically heated. Cab width 2130 mm.; Green tinted glass; Electrically adjustable mirrors; Mirror brackets, body 2.50-2.60 m; Front view mirror.

### Optional

<b>02576</b> Extended Day Cab	<b>07343</b> Kerb view window co-driver door
<b>02106</b> Sleeper Cab	<b>00915</b> Side no glass / rear single glass
<b>01173</b> Cab suspension mechanical	<b>09101</b> Green tinted glass, heated
<b>01605</b> Cab suspension mechanical reinforced	<b>03605</b> Mirror brackets, body 2.10-2.29 m
<b>09983</b> Fog lights	<b>09282</b> Mirror brackets, body 2.30-2.40 m
<b>09984</b> Fog lights and cornering lights	<b>09283</b> Mirror brackets, body 2.40-2.50 m

## AERODYNAMICS

### Optional

<b>09287</b> Side collars prepared	<b>07112</b> Side collars long (set)
<b>04906</b> Side collars	<b>07093</b> Side collars short (set)

## COLOURS

; Head lamp panel and bumper: Stone Grey; Chassis colour grey..

### Optional

<b>06485</b> Head lamp panel and bumper: cab colour	<b>16153</b> Cab and chassis colours
---	--------------------------------------

## CAB INTERIOR

Right-hand drive (RHD); Mechanically adjustable steering column; Driver seat: air suspended; Co-driver seat: fixed velour; Storage box on engine tunnel.

### Optional

<b>01846</b> Left-hand drive (LHD)	<b>04346</b> Lower bunk, normal level
<b>09271</b> Steering wheel, leather, colour black	<b>02213</b> Air conditioning
<b>03516</b> Pneumatically adjustable steering column	<b>03703</b> Auxiliary cab heater Air Top 2000
<b>00967</b> Seat belts red	<b>04246</b> Roof hatch, manual control
<b>16158</b> Seat types	<b>04258</b> Roof hatch, electric control

## COMMUNICATION AND DRIVING MANAGEMENT

FMS connector prepared; Tachograph digital, Stoneridge; Cruise control.

### Optional

<b>16155</b> Audio equipment, makes and types	<b>08891</b> Adaptive Cruise Control with FCW and AEBs
<b>07261</b> TruckPhone	

## SAFETY AND SECURITY

Lane Departure Warning System; Vehicle Stability Control (VSC); Basic engine immobiliser system.

### Optional

<b>08631</b> Air bag (driver) and 2 seat belt tensioners	<b>06637</b> Immobiliser 15 minutes and alarm (Thatcham H1)
<b>01725</b> Reverse warning	<b>16156</b> EC-ADR packages
<b>06636</b> Immobiliser 15 minutes (Thatcham H2)	

## SUSPENSION AND AXLES

Front: 4.50 t, parabolic, F48; Rear: 8.50 t, parabolic, SR8.22.

### Optional

<b>01372</b> Rear springs air	<b>00369</b> Rear springs parabolic, asymmetric
-------------------------------	---

## WHEELS AND TYRES

Front axle 1: 245/70R17.5; Rear axle 1: 245/70R17.5; Wheel protection rings silvergrey.

### Optional

<b>06764</b> Wheel protection rings black	<b>16152</b> Tyre makes and types
---	-----------------------------------

## DRIVELINE

Engine PX-5, 4 cylinder diesel engine, 4.5 litres. Output 135 kW (184 hp) at 2300 rpm. Max. torque 750 Nm at 1100-1600 rpm.; Exhaust emission Euro 6; Engine idle shutdown, 5 minutes; Manual gearbox, 6 speeds; Gearbox ratio 6.58-0.78; Rear axle ratio 3.31.

### Optional

<b>08834</b> AS Tronic gearbox, 6 speeds	<b>09888</b> Automatic gearbox, 5 speeds
--	--

## BRAKE SYSTEM

Exhaust brake.

## CHASSIS

Wheelbase 4.30 m / rear overhang 2.32 m; Side member height 210 mm; DPF/SCR unit right, discharge right; Plastic fuel tank 110 l; Spray suppression; AdBlue tank 25 litres, right side chassis.

### Optional

<b>02011</b> Spare wheel carrier in rear overhang	<b>03323</b> Rear light unit with LEDs
<b>07071</b> Spare wheel carrier right-hand side	

## DRAWBAR AND TRAILER EQUIPMENT

Closing member.

### Optional

<b>04212</b> D-value cross member D=7
---------------------------------------

## BODIES AND PREPARATIONS FOR BODYING

No BodyBuilder Module (BBM); Application connector on the chassis; Standard body attachment hole pattern.

### Optional

<b>09952</b> BodyBuilder Module (BBM) full	<b>07487</b> Body attachment BAM 1, loose consoles supply
<b>02597</b> Application connector for tail lift control	<b>07488</b> Body attachment BAM 3, loose consoles supply
<b>09240</b> Application connector for refuse collector	<b>01503</b> Side marker lights
<b>02950</b> Application connector for hydraulic platform	

## POWER TAKE-OFF (PTO)

### Optional

<b>06624</b> Indirect front engine PTO	<b>16148</b> PTO types and positions
<b>06785</b> Front engine PTO, generator preparation 22.5 kW	

## ELECTRICAL POWER SUPPLY

Alternator 80 A, batteries 2x 125 Ah..

### Optional

**01897** Alternator 100 A                      **08797** Batteries 2x175Ah

## GVM AND GCM

Chassis weight related technical GVM max 12000 kg; Driveline related technical GCM = GVM+3500 kg.

### Optional

**00054** Driveline related max GCM 18000 kg                      **08629** Driveline related max GCM 22000 kg  
**00728** Driveline related max GCM 20000 kg                      **03756** Driveline related technical GCM equal to GVM

## APPLICATION CONDITIONS

Moisture separator, unheated; Air intake low.

### Optional

**02270** Cold climate                      **09960** Air intake on the cab roof  
**04767** Moisture separator, heated                      **04987** Radiator flyscreen  
**04482** Air intake high behind cab

## SERVICE AND MAINTENANCE

Warranty Plus - 1 Year Vehicle & 3 Year Driveline - takes care of all warrantable repairs on the vehicle for one year and on the driveline for second and third years together with associated breakdown coverage.; DAF 1 year Preventive Maintenance Package - 160k.

## VEHICLE DELIVERY

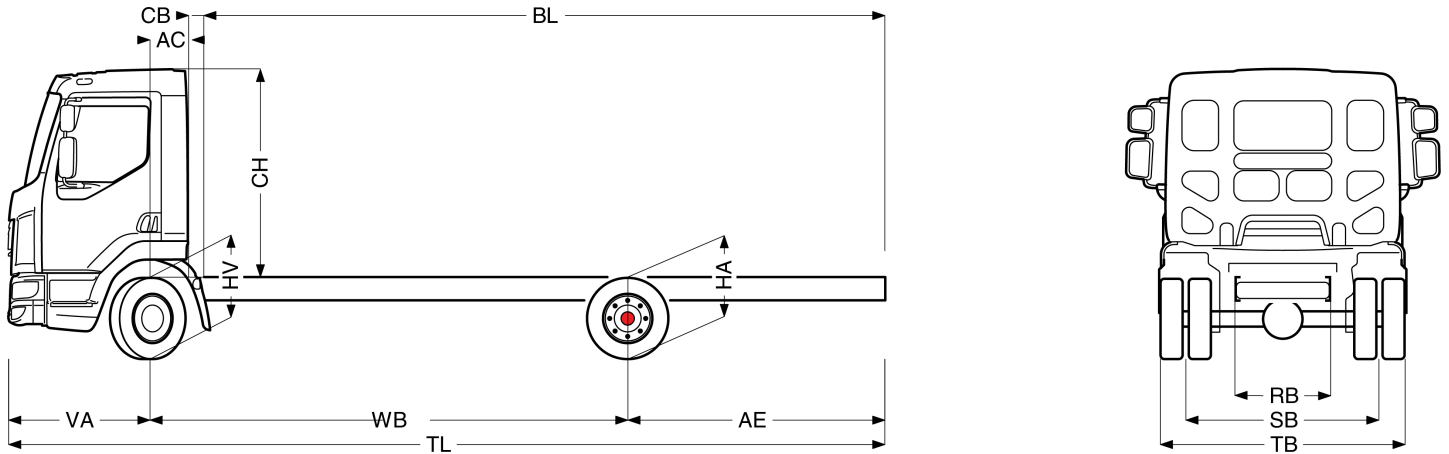
Standard toolkit.



Go to [DAF.com](http://DAF.com) to configure your own perfect DAF.

# LF 180

FA 4X2 Rigid, 12t



	Wheelbase - AE		Unladen weight <sup>9)</sup>			Gross Carrying Capacity			Variable dimensions							
	WB	AE <sup>9)</sup>	Front	Rear	Total	Front	Rear	Total	AC	CB <sup>8)</sup>	CH <sup>7)</sup>	BL <sup>8)</sup>	BL	TL	HA <sup>9)</sup>	HA <sup>10)</sup>
DAY CAB	3.05	1.80	2560	1102	3662	1920	7378	8338	0.33	0.12	1.84	3.80	4.50	6.13	0.90	0.77
	3.15	1.62	2570	1087	3657	1910	7393	8343	0.33	0.12	1.84	3.96	4.68	6.16	0.90	0.77
	3.55	1.87	2588	1112	3700	1892	7368	8300	0.33	0.12	1.84	4.58	5.40	6.84	0.90	0.77
	3.90	2.12	2594	1127	3721	1886	7353	8279	0.33	0.12	1.84	5.12	6.03	7.43	0.90	0.77
	4.30	2.32	2603	1140	3743	1877	7340	8257	0.33	0.12	1.84	5.74	6.74	8.11	0.90	0.77
	4.65	2.65	2609	1167	3776	1871	7313	8224	0.33	0.12	1.84	6.28	7.37	8.71	0.90	0.77
	5.00	2.72	2628	1180	3808	1852	7300	8192	0.33	0.12	1.84	6.84	8.01	9.31	0.90	0.77
	5.40	2.32	2652	1159	3811	1828	7321	8189	0.33	0.12	1.84	7.49	8.76	10.02	0.90	0.77
	5.70	2.30	2629	1130	3758	1851	7350	8242	0.33	0.12	1.84	7.94	9.27	10.51	0.90	0.77
	6.10	2.55	2679	1191	3870	1801	7289	8130	0.33	0.12	1.84	8.60	10.04	11.24	0.90	0.77
6.40	2.70	2684	1202	3886	1796	7278	8114	0.33	0.12	1.84	9.07	10.27	11.75	0.90	0.77	
6.70	2.90	2695	1228	3923	1785	7252	8077	0.33	0.12	1.84	9.54	10.27	12.00	0.90	0.77	
SLEEPER CAB	WB	AE <sup>9)</sup>	Front	Rear	Total	Front	Rear	Total	AC	CB <sup>8)</sup>	CH <sup>7)</sup>	BL <sup>8)</sup>	BL	TL	HA <sup>9)</sup>	HA <sup>10)</sup>
	3.55	1.87	2690	1130	3820	1790	7350	8180	0.73	0.07	1.87	3.95	4.78	6.70	0.90	0.77
	3.90	2.12	2697	1144	3841	1783	7336	8159	0.73	0.07	1.87	4.50	5.41	7.30	0.90	0.77
	4.30	2.32	2708	1155	3863	1772	7325	8137	0.73	0.07	1.87	5.13	6.14	7.90	0.90	0.77
	4.65	2.65	2716	1181	3897	1764	7299	8103	0.73	0.07	1.87	5.68	6.78	8.58	0.90	0.77
	5.00	2.72	2735	1193	3928	1745	7287	8072	0.73	0.07	1.87	6.24	7.43	9.08	0.90	0.77
	5.40	2.32	2760	1171	3932	1720	7309	8068	0.73	0.07	1.87	6.90	8.18	9.80	0.90	0.77
	5.70	2.30	2738	1141	3879	1742	7339	8121	0.73	0.07	1.87	7.35	8.70	10.29	0.90	0.77
6.10	2.55	2789	1202	3991	1691	7278	8009	0.73	0.07	1.87	8.02	9.49	11.03	0.90	0.77	
6.40	2.70	2794	1213	4007	1686	7267	7993	0.73	0.07	1.87	8.50	9.92	11.56	0.90	0.77	
6.70	2.90	2806	1238	4044	1674	7242	7956	0.73	0.07	1.87	8.98	9.92	12.00	0.90	0.77	

OTHER DIMENSIONS      VA: 1.28    HV<sup>11)</sup>: 0.81    HV<sup>12)</sup>: 0.75    RB: 0.86    SB: 1.74    TB: 2.55

1) GVM in conformity with registration documents.  
 2) GCM in conformity with registration documents.  
 3) Axle load with standard tyre size.  
 4) Chassis and cab weight calculated with: Standard specification items only with 110 litres of fuel, 25 litres of AdBlue and driver of 90 kg, tolerance ± 3%. Changing of the specification can have major impact on vehicle weight.  
 5) Other AE dimensions may be available for shown WB. Modify rear overhang to the calculated body length.  
 6) CB is based on standard air intake and/or exhaust.

7) Cab height is measured from frame member to closed cabin roof hatch.  
 8) Calculate customer specific body length with TOPEC. Body lengths shown based on evenly distributed load at max axle load.  
 9) Unladen height at centre of driven axle(s).  
 10) Laden height at centre of driven axle(s).  
 11) Unladen height at centre of front axle(s).  
 12) Laden height at centre of front axle(s).

Depending on the vehicle configuration a specific option may not be possible. The availability and specification of this vehicle may differ per country. For further information please contact the DAF organisation. Pictures and technical illustrations are not binding in detail and can differ from the standard specification. Subject to modification without prior notice.