



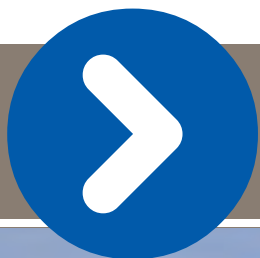
TJ-TJJ

SERIES

SOCAGE

TUZZO





TJJ70





TJJ54





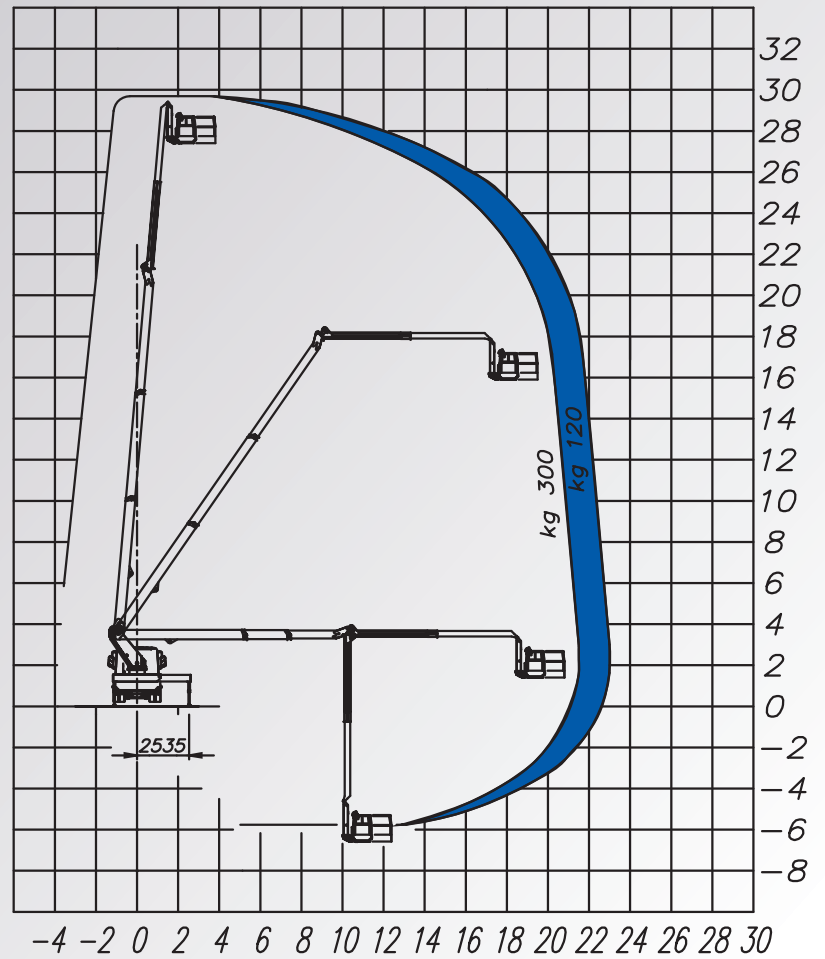
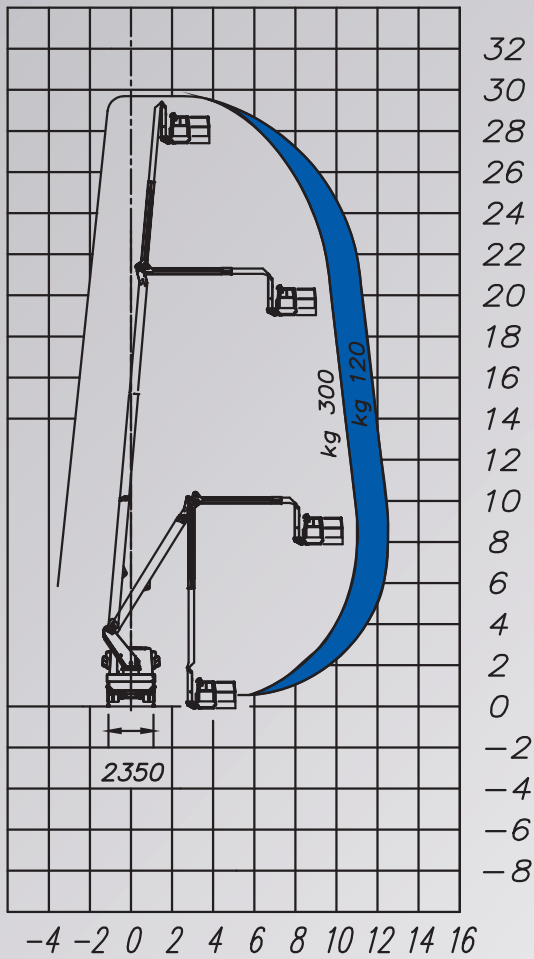


TJ35



TUBO

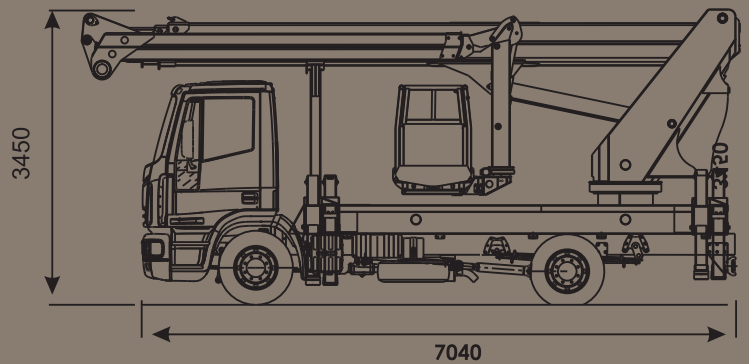
socage.it



16T



TJ30



30,00 m



28,00 m



23,00 m



2200/3200x900x1100 h



300 kg



continua
continuous
continue
continua
endlos



alluminio
aluminium
aluminium
amuminio
aluminium



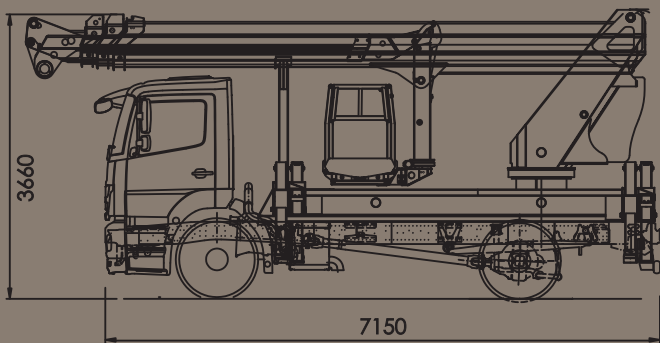
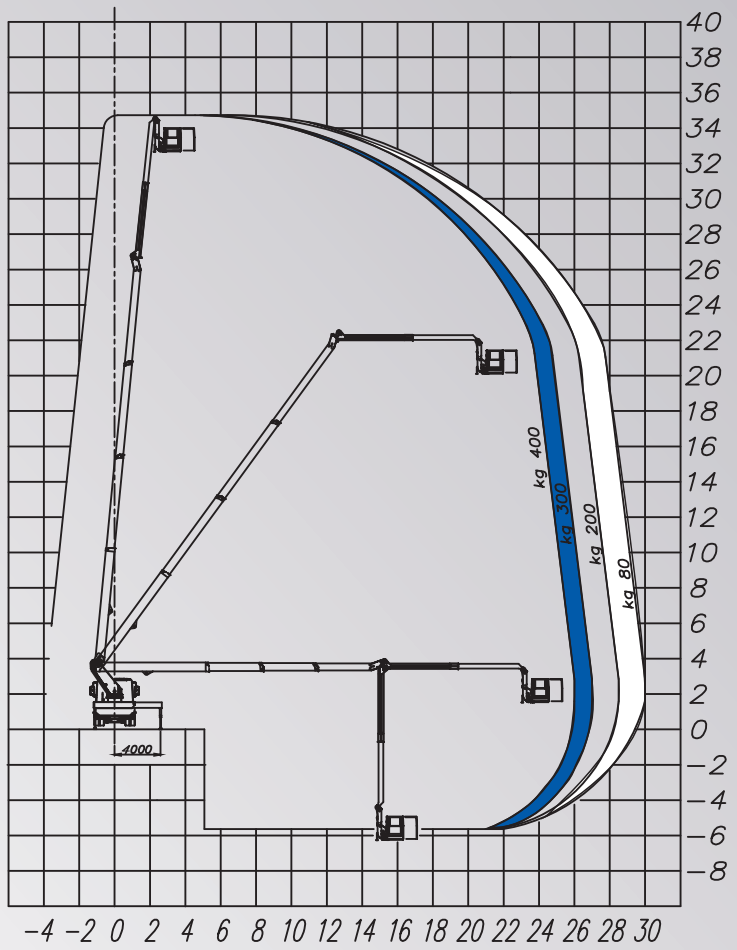
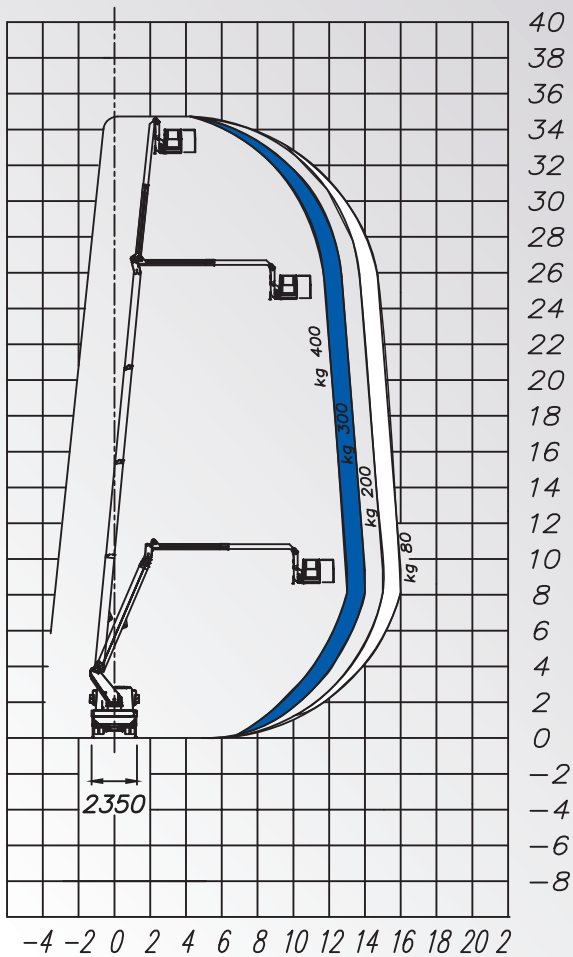
360°



elettroidraulici
electro-hydraulic
electrohydrauliques
electrohidraulicos
elettrohydraulische



HE+HE



18 T

TJ35



35,00 m



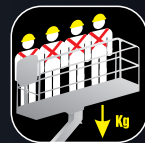
33,00 m



30,00 m



2200/3200x900x1100 h



400 kg



continua
continuous
continue
continua
endlos



alluminio
aluminium
aluminium
amuminio
aluminium



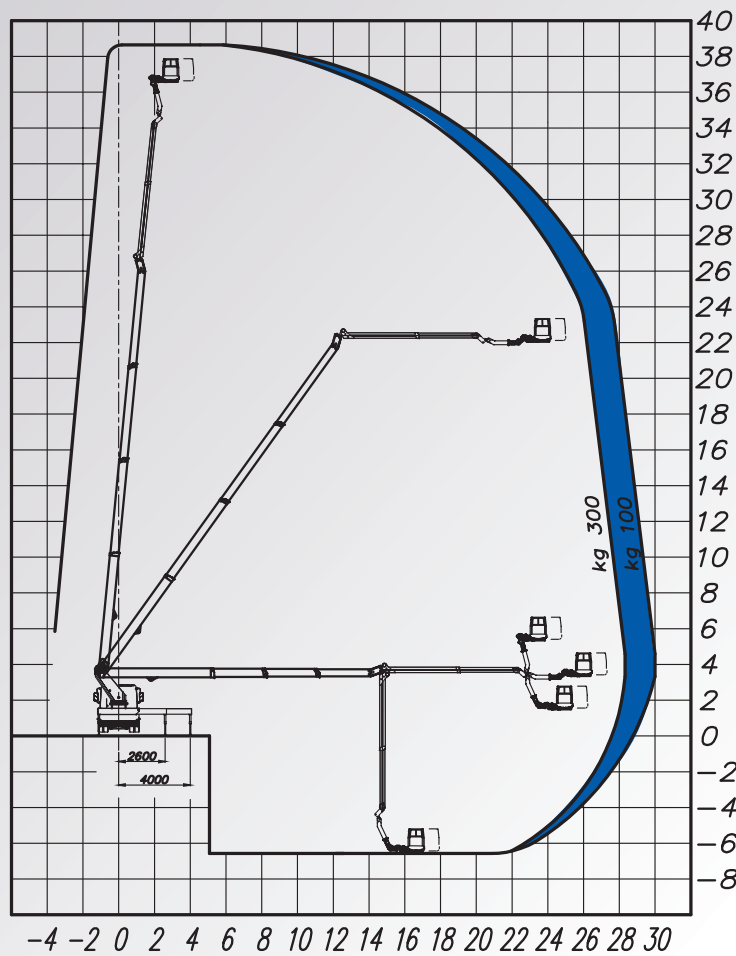
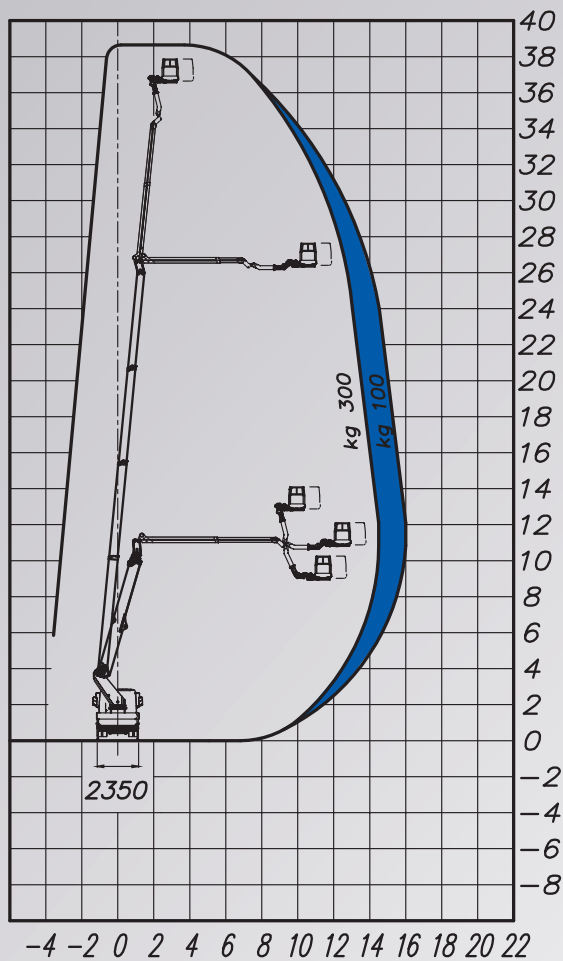
360°



elettroidraulici
electro-hydraulic
electrohydrauliques
electrohidraulicos
elektrohydraulische



HE+HE

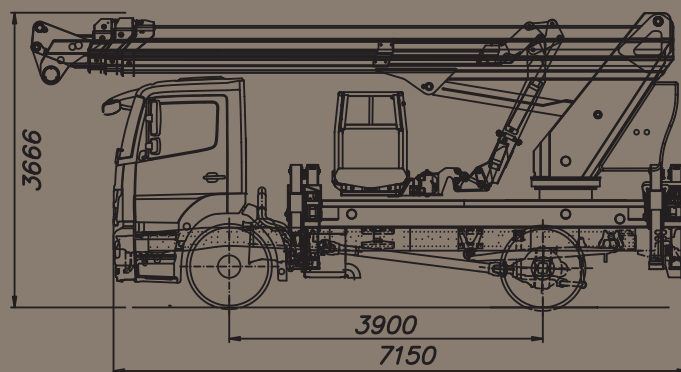


PRELIMINARY

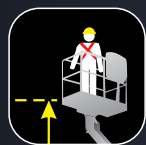
18 T



TJJ39



39,00 m



37,00 m



30,00 m



2200/3200x900x1100 h



300 kg



700°



alluminio
aluminium
aluminium
amuminio
aluminium



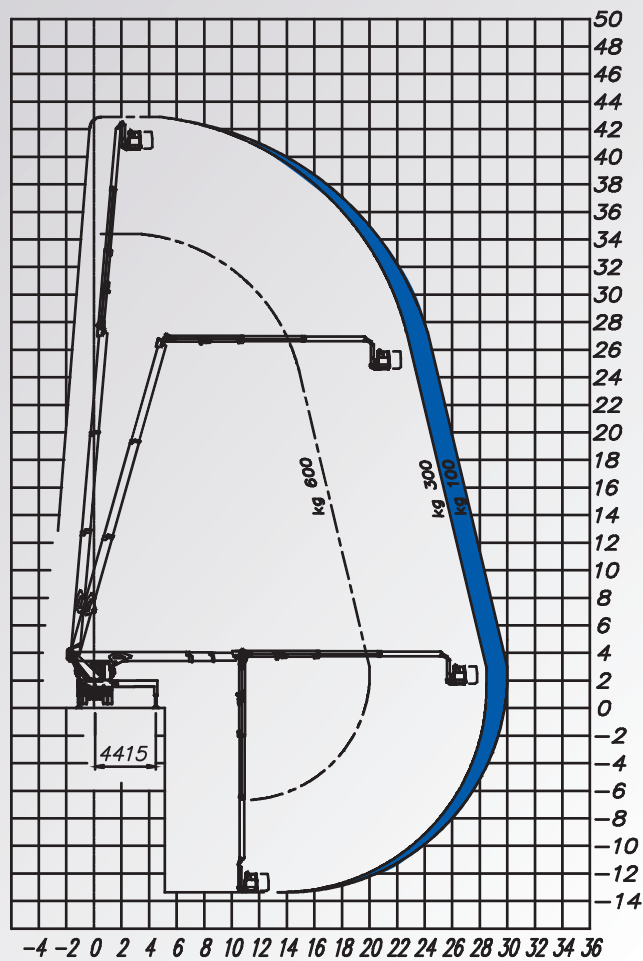
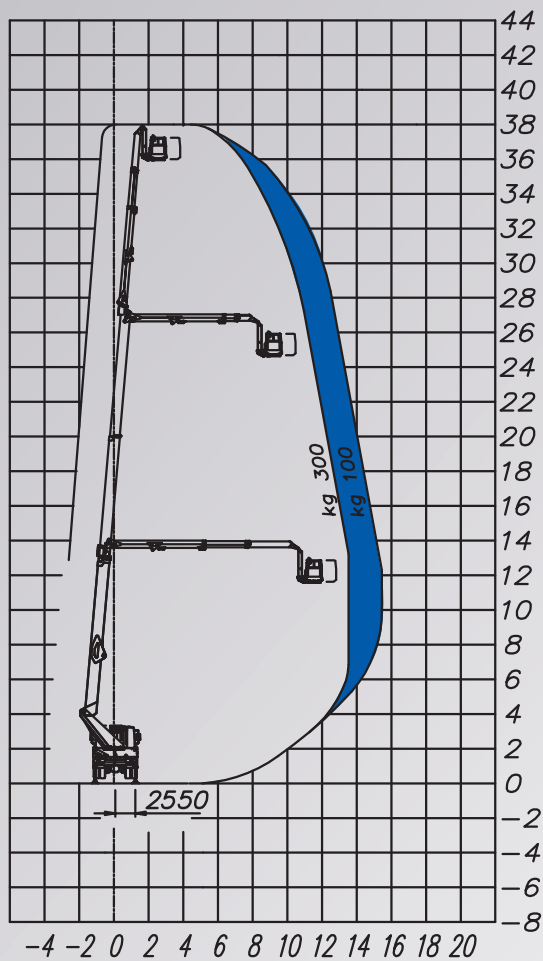
360°



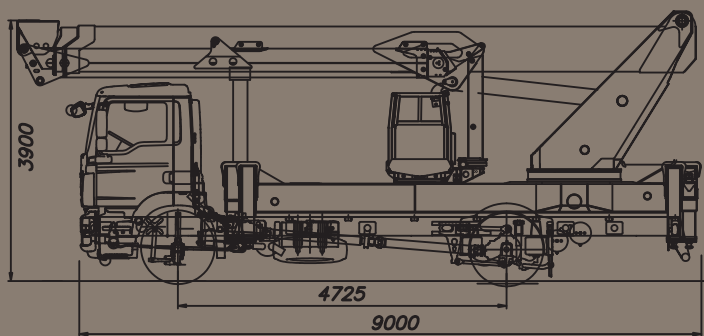
elettroidraulici
electro-hydraulic
electrohydrauliques
electrohidraulicos
electrohydraulische



HE+HE



PRELIMINARY



18 T

TJ44



44,00 m



42,00 m



30,00 m



2300/3500x900x1100



600 kg



700°



alluminio
aluminium
aluminium
amuminio
aluminium



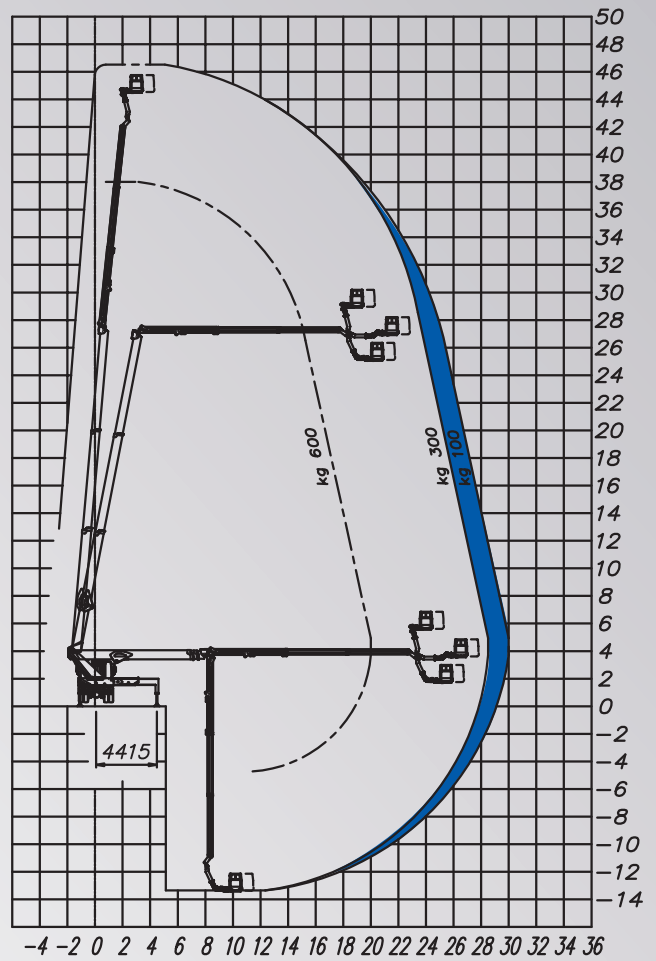
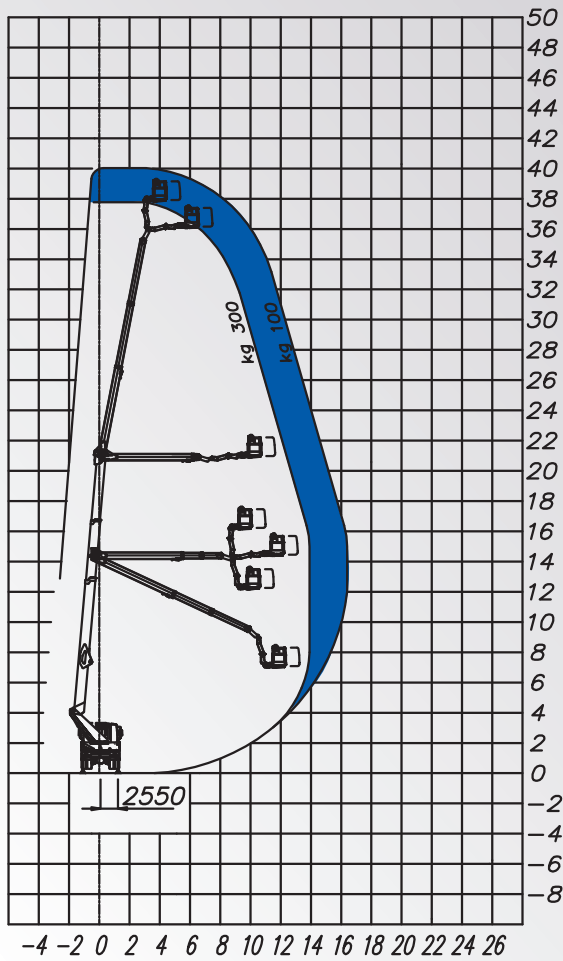
360°



elettroidraulici
electro-hydraulic
electrohydrauliques
electrohidraulicos
elettrohydraulische



HE+HE

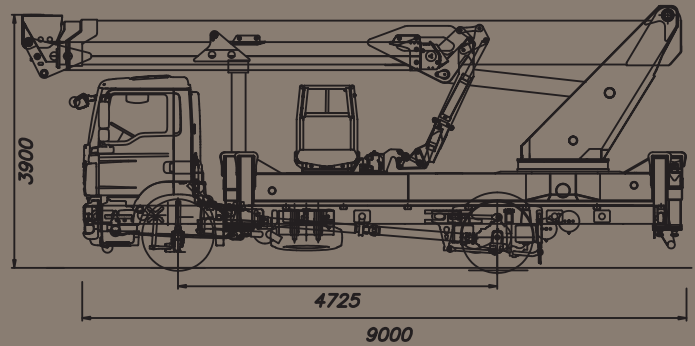


PRELIMINARY

18 T



TJ47



47,00 m



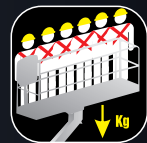
45,00 m



30,00 m



2300/3500x900x1100



600 kg



700°



alluminio
aluminium
aluminium
amuminium
aluminium



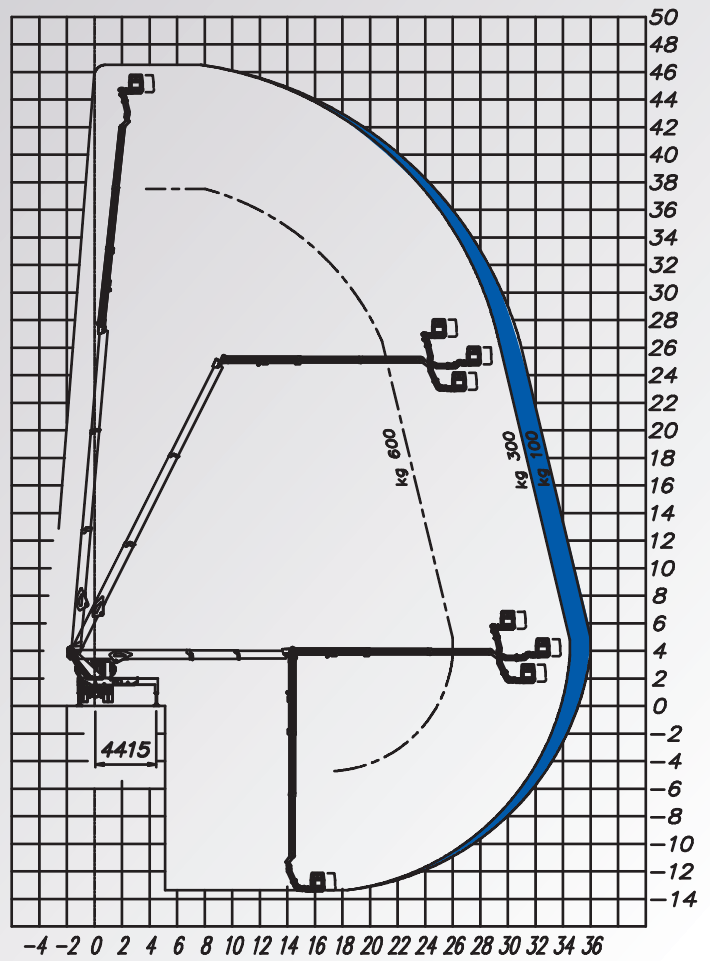
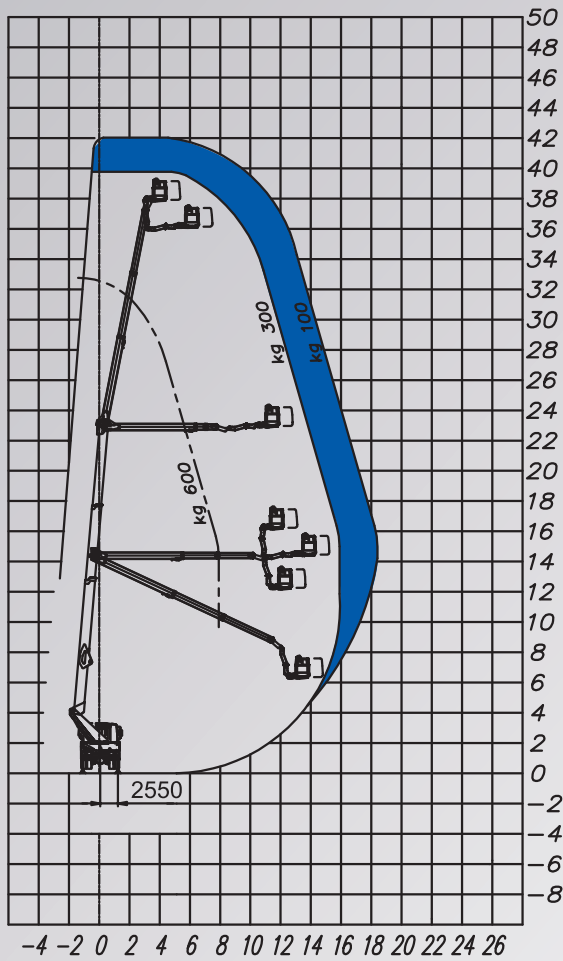
360°



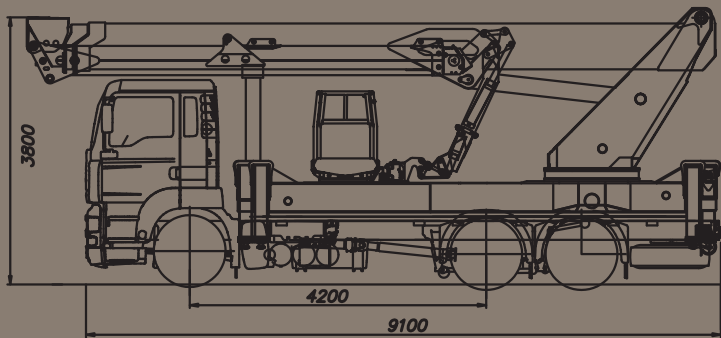
elettroidraulici
electro-hydraulic
electrohydrauliques
electrohidraulicos
electrohydraulische



HE+HE



PRELIMINARY



26 T

TJ47



47,00 m



45,00 m



36,00 m



2300/3500x900x1100



600 kg



700°



alluminio
aluminium
aluminium
amuminium
aluminium



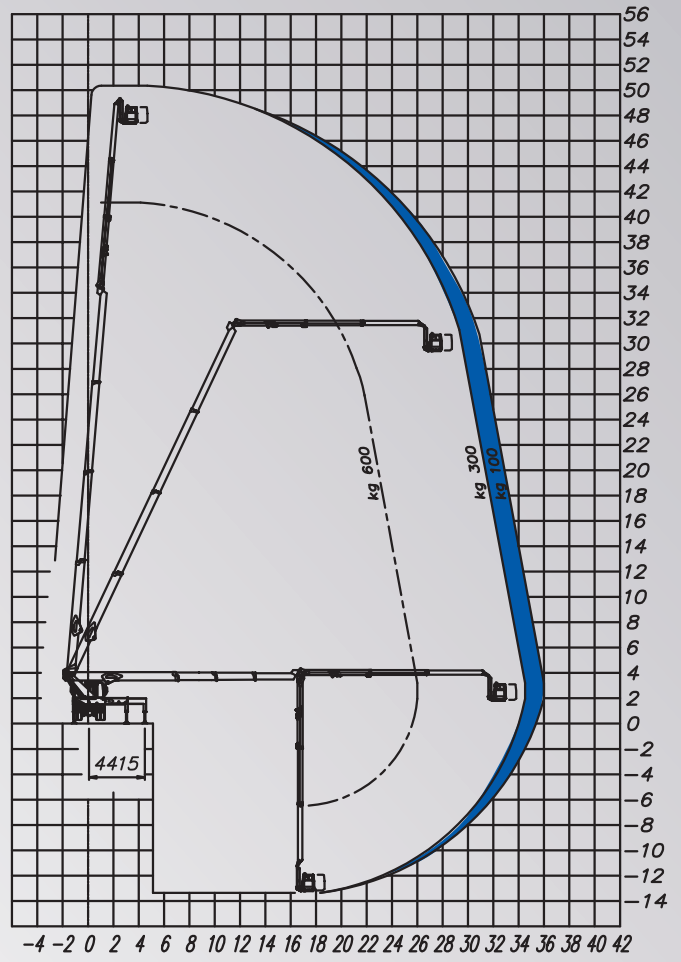
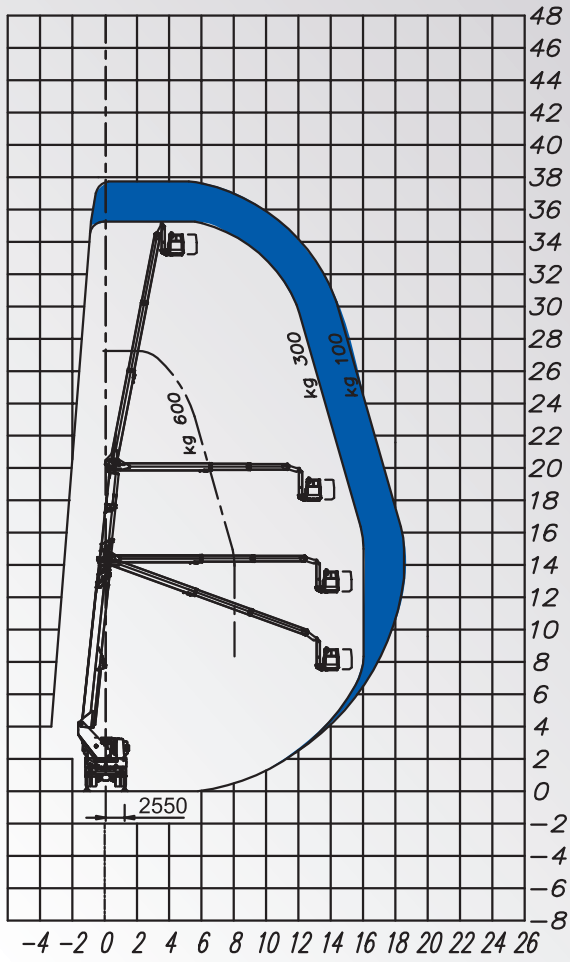
360°



elettroidraulici
electro-hydraulic
electrohydrauliques
electrohidraulicos
elettrohydraulische



HE+HE

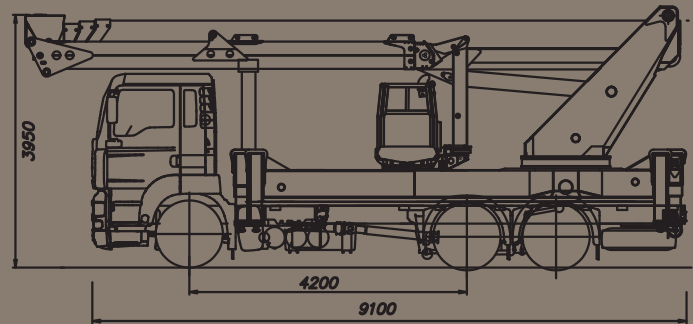


PRELIMINARY

26 T



TJ51



51,00 m



49,00 m



36,00 m



2300/3500x900x1100



600 kg



700°



alluminio
aluminium
aluminium
amuminium
aluminium



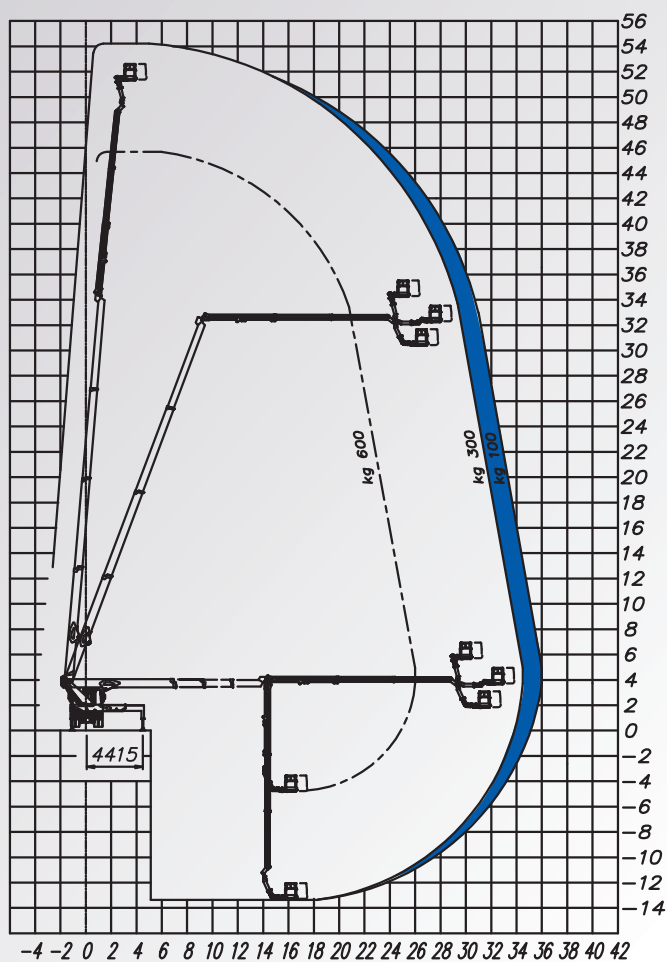
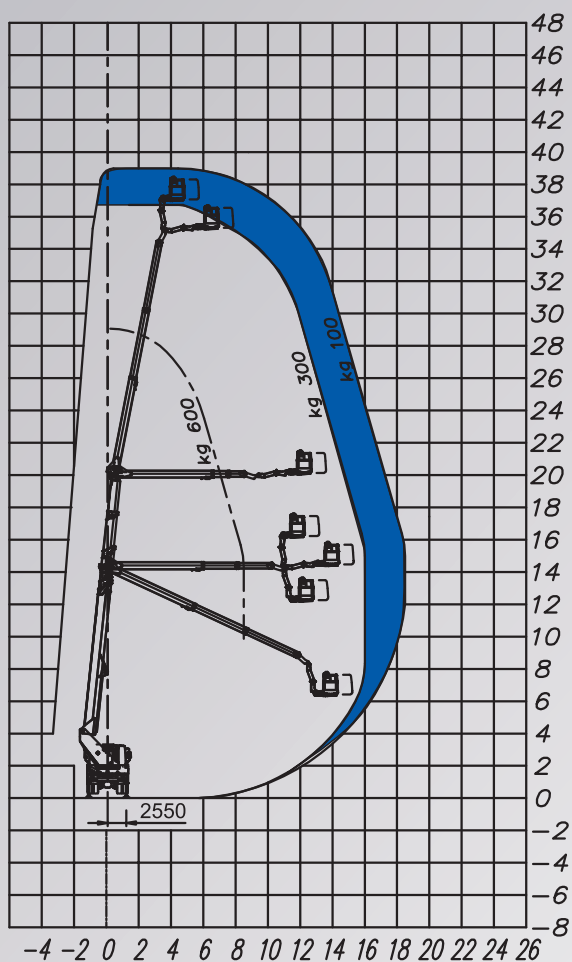
360°



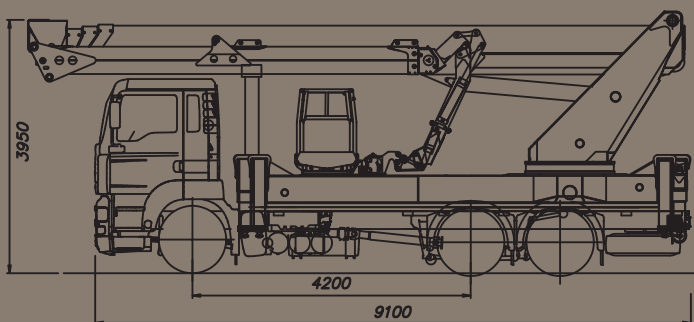
elettroidraulici
electro-hydraulic
electrohydrauliques
electrohidraulicos
electrohydraulische



HE+HE



PRELIMINARY



26 T

TJJ54



54,00 m



52,00 m



36,00 m



2300/3500x900x1100



600 kg



700°



alluminio
aluminium
aluminium
amuminio
aluminium



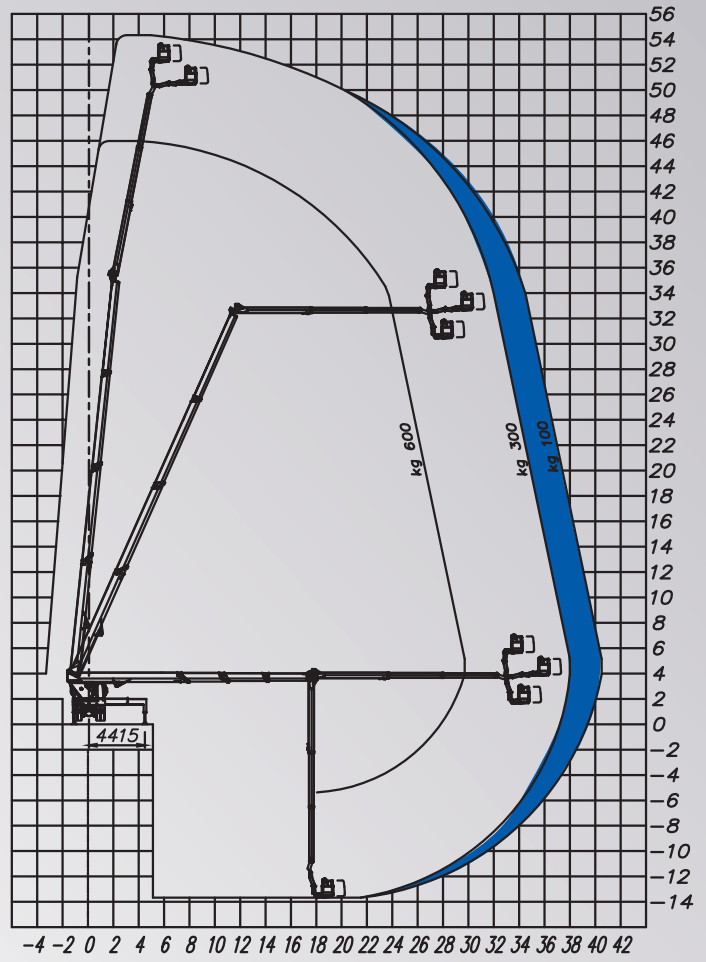
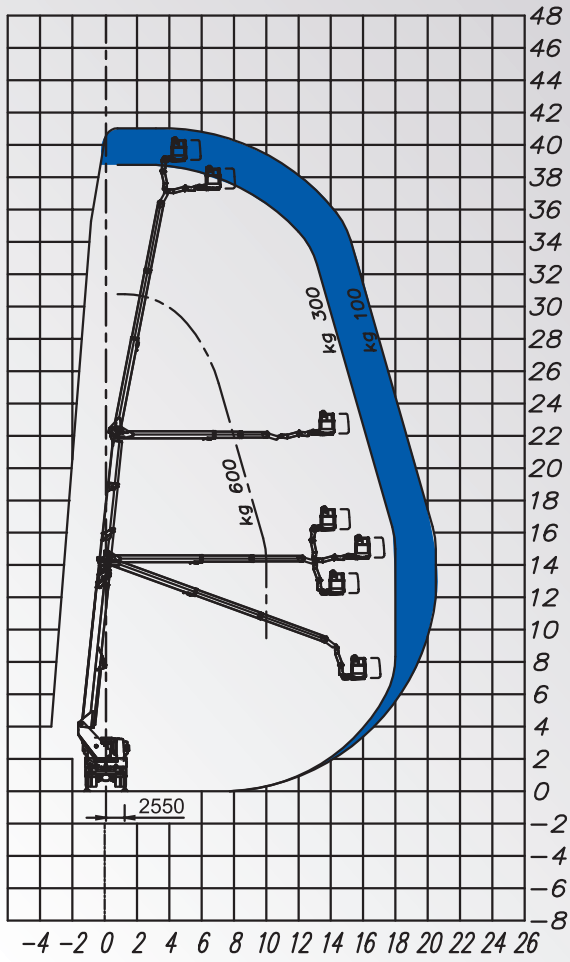
360°



elettroidraulici
electro-hydraulic
electrohydrauliques
electrohidraulicos
electrohydraulische



HE+HE

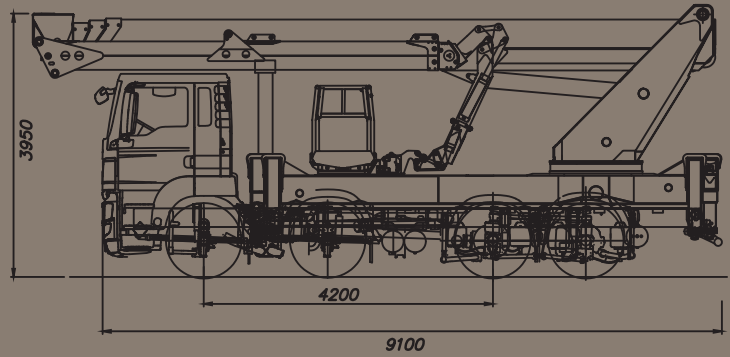


PRELIMINARY

32 T



TJJ54



54,00 m



52,00 m



40,00 m



2300/3500x900x1100



600 kg



700°



alluminio
aluminium
aluminium
amuminium
aluminium



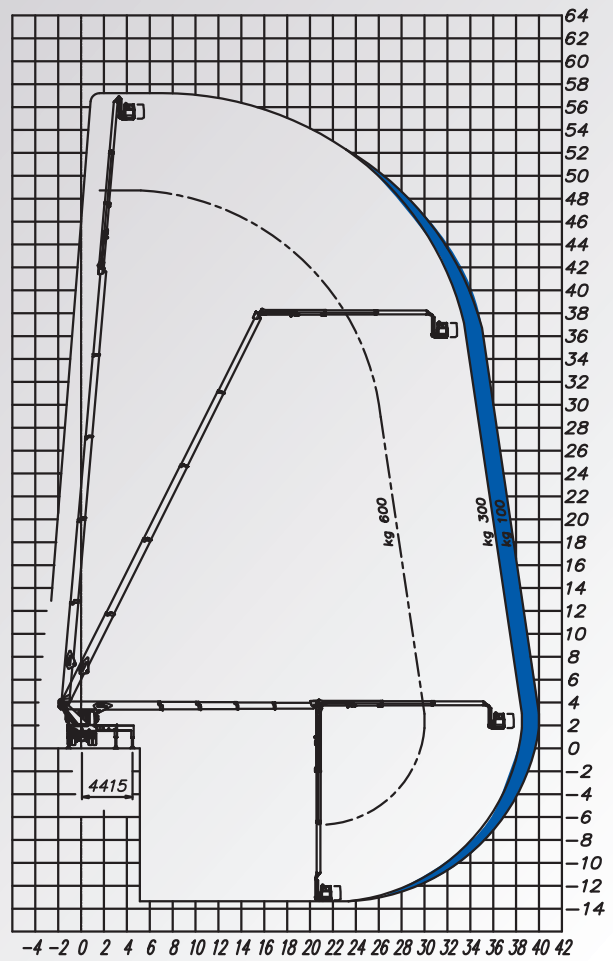
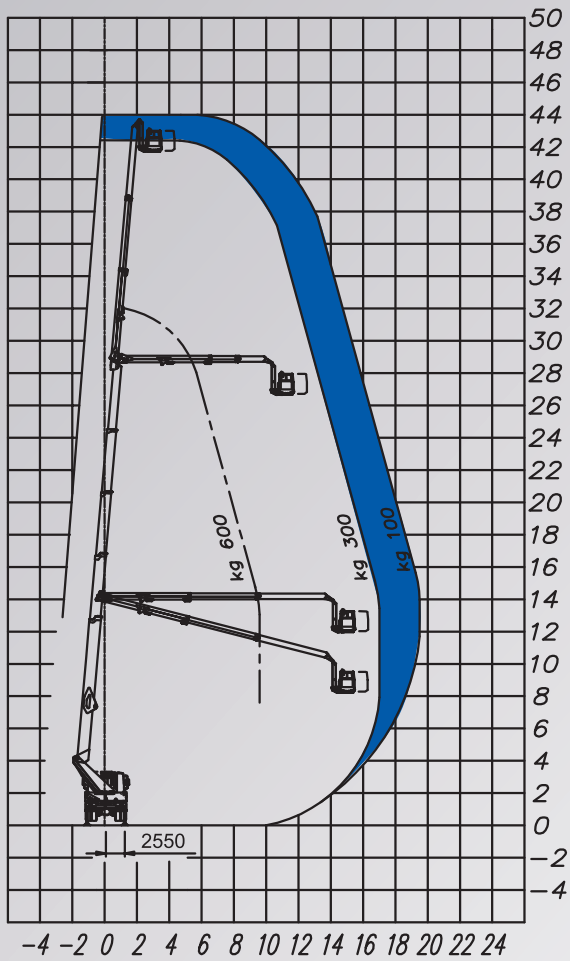
360°



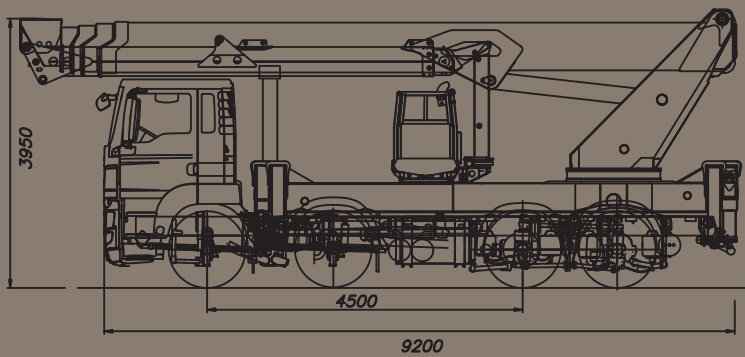
elettroidraulici
electro-hydraulic
electrohydrauliques
electrohidraulicos
electrohydraulische



HE+HE



PRELIMINARY

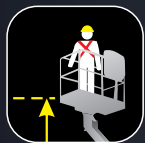


32 T

TJ58



58,00 m



56,00 m



40,00 m



2300/3500x900x1100



600 kg



700°



alluminio
aluminium
aluminium
amuminio
aluminium



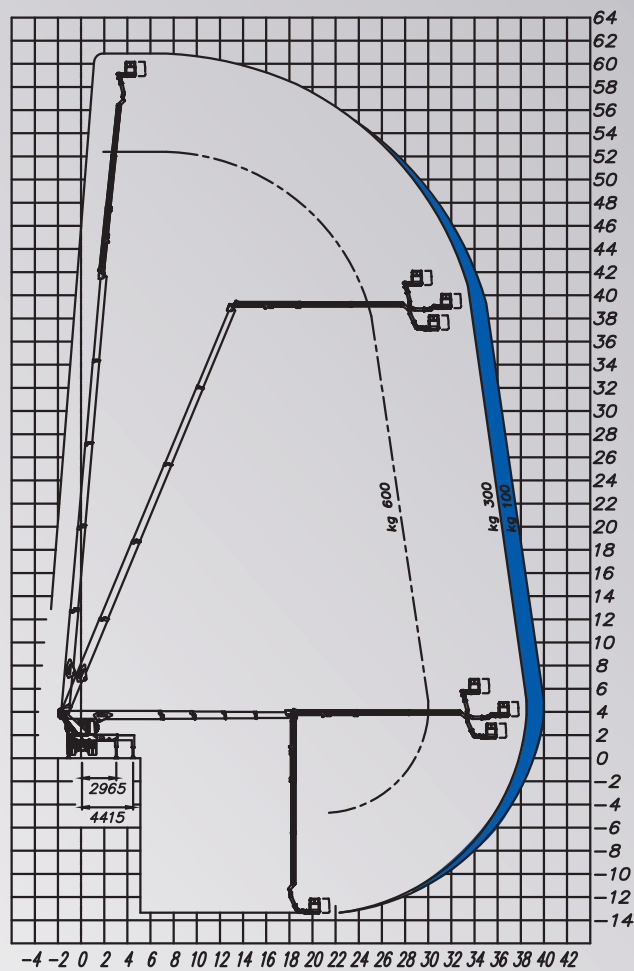
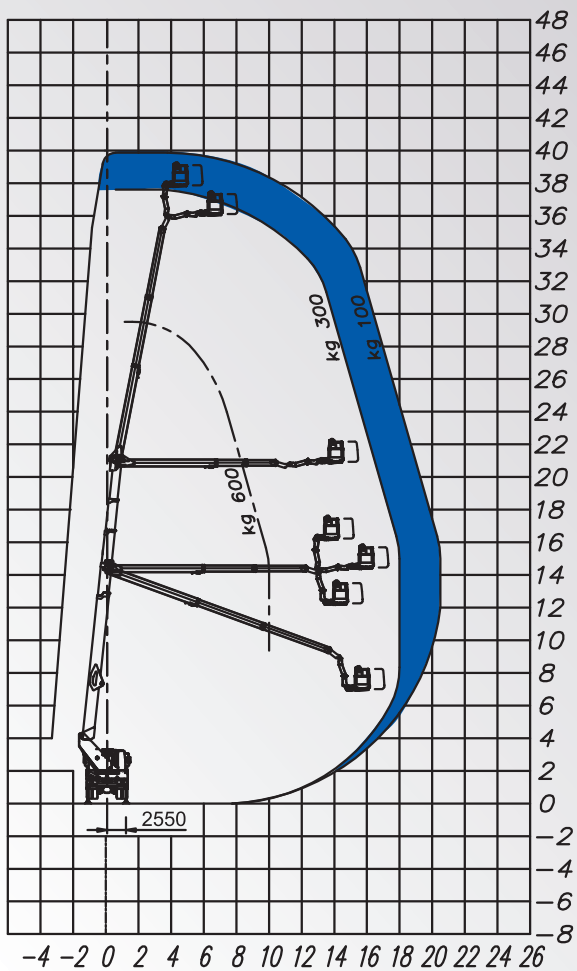
360°



elettroidraulici
electro-hydraulic
electrohydrauliques
electrohidraulicos
elettrohydraulische



HE+HE

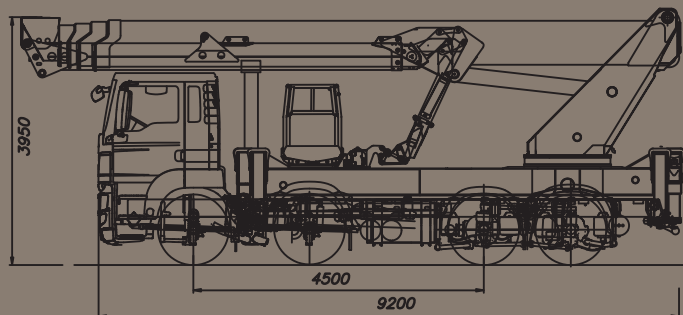


PRELIMINARY

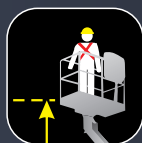
32 T



TJJ61



61,00 m



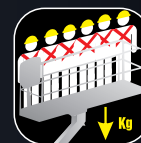
59,00 m



40,00 m



2300/3500x900x1100



600 kg



700°



alluminio
aluminium
aluminium
amuminio
aluminium



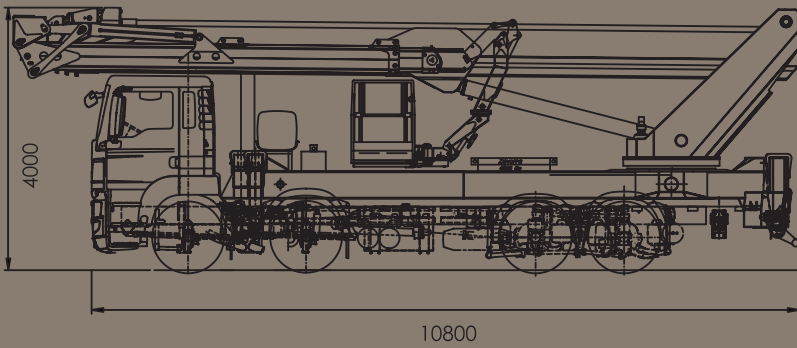
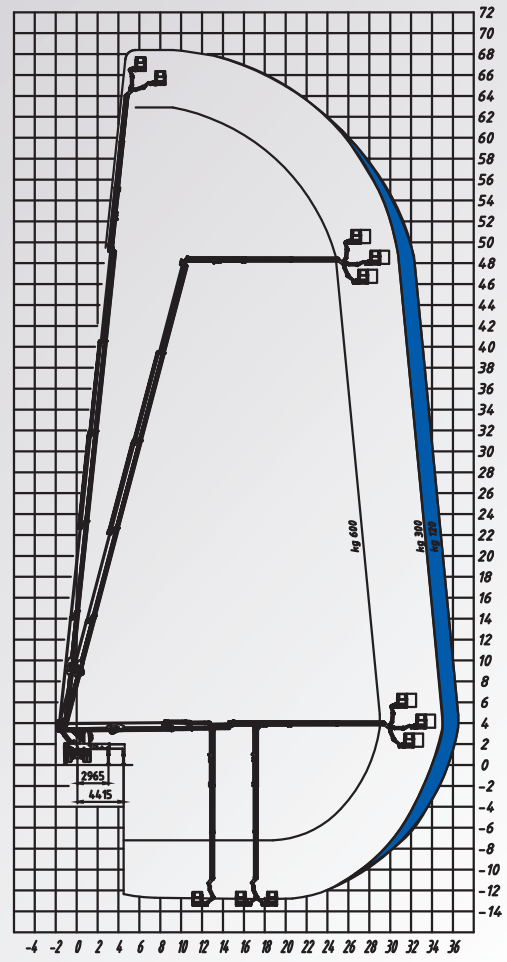
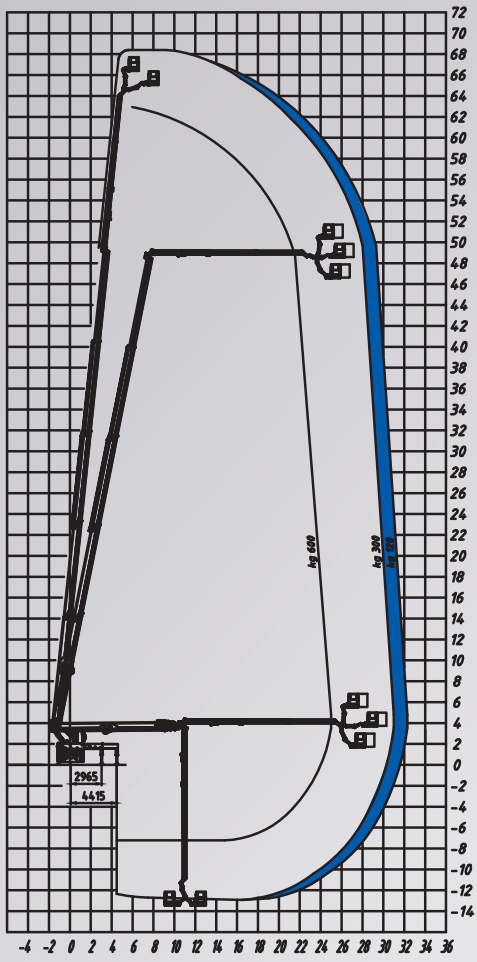
360°



elettroidraulici
electro-hydraulic
electrohydrauliques
electrohidraulicos
elektrohydraulische



HE+HE



32 T

TJJ70



68,50 m



66,50 m



36,50 m



2300/3500x900x1100



600 kg



continua
continuous
continue
continua
endlos



alluminio
aluminium
aluminium
amuminio
aluminium



360°



elettroidraulici
electro-hydraulic
electrohydrauliques
electrohidraulicos
electrohydraulische



HE+HE

socage.it

massimodallosta.com

SOCAGE S.r.l.

Strada Statale 12, n° 10 - Sorbara di Bomporto (MO)

Tel. +39 059 91.21.211 - Fax +39 059 90.73.04

E-Mail: info@socage.it

The logo features a stylized white 'S' inside a dark oval, followed by the word 'SOCAGE' in a bold, white, sans-serif font.