

CRAWLER EXCAVATOR



Specifications

Operating weight	11,300 – 12,500 kg
Engine power	85 kW(116 hp)
Bucket capacity	149 – 477 l
Dig depth	4.32 – 4.91 m
Reach	7.99 – 8.65 m

Features

- ▶ Short-tail machine
- ▶ Extra-wide blade for dozer applications
- ▶ Flexibility in daily work by task-specific adjustment of the boom systems
- ▶ Comfort cab with perfect all-round visibility
- ▶ Increased productivity thanks to load sensing hydraulics
- ▶ Knickmatik® allows for working closely along walls
- ▶ Wide range of proven working tools

WORKS FOR YOU.™

SPECIFICATIONS

ENGINE

Manufacturer, model	Deutz, TCD3.6 L4
Type	4-cylinder turbo diesel engine with intercooler, EU Stage III B / Tier4i
Combustion	4-stroke cycle, Common Rail injection
Displacement	3600 cm ³
Net power rating at 2000 rpm (ISO 9249)	85 kW (116 hp)
Torque	400 Nm at 1600 rpm
Cooling system	Water

ELECTRICAL SYSTEM

Nominal voltage	12 V
Battery	12 V / 135 Ah
Generator	14 V / 95 Ah
Starter	12 V / 4.0 kW

TRANSMISSION

Hydrostatic travel drive with planetary reduction gears on sprocket drives. Multi-disc brake acting as parking brake, automatically bled. 2-stage variable displacement motor, full power shift.

2 speed ranges:

Travel speed, forward and reverse	0-2.7 / 5.4 kph
Gradeability	> 60 %
Drawbar pull 1 st /2 nd speed range	8358 / 4253 daN

UNDERCARRIAGE

Maintenance-friendly B4 track-type undercarriage with triple grouser plates or rubber crawlers. Idler suspension with hydraulic crawler-chain tensioning.

Width rubber crawlers / steel crawlers	500 / max. 800 mm
Total length (sprocket - idler)	2628 / 2608 mm
Total length (undercarriage)	3345 mm

DOZER BLADE

Independent of drive train, sensitive control via separate hand lever.	
Width x height	2500 x 510 mm
Dozer cut below ground	400 mm
Dozer lift above ground	500 mm
Slope angle	35°

STEERING

Independent individual control of crawler chains, also counterwise. Sensitive control provided by pilot-operated hand levers combined with foot pedals. Full drawbar pull even at shifts in direction.

SWING SYSTEM

Hydrostatic drive with 2-stage planetary gear and axial piston fixed displacement motor, also acts as wear-resistant brake. In addition, spring-loaded multi-disc brake acting as parking brake.

Swing speed	0 - 10 rpm
-------------	------------

KNICKMATIK®

Lateral parallel adjustment of boom arrangement at full dig depth.	
Angle of articulation / lateral adjustment left	65° / 855 mm
Angle of articulation / lateral adjustment right	56° / 995 mm

FLUID CAPACITIES

Fuel tank	240 l
Hydraulic system (incl. tank)	230 l



OPERATING DATA, STANDARD EQUIPMENT

Operating weight (monobloc boom) acc. to ISO 6016	11,500 kg
Operating weight (two-piece articulated boom "TPA") acc. to ISO 6016	11,300 kg
Undercarriage (steel crawlers) 500 mm	+310 kg
Transport dimensions: Monobloc boom / TPA boom (L x H)	7350 x 2700 / 6820 x 2700 mm
Total width with dozer blade	2500 mm
Total height (top of cab)	2870 mm
Ground clearance	420 mm
Uppercarriage tailswing	1600 mm
Uppercarriage frontswing (monobloc boom)	2660 mm
Working envelope 180° (monobloc boom)	4260 mm
Working envelope 360° (monobloc boom)	5320 mm
Bucket digging force acc. to ISO 6015 (monobloc boom)	81,500 N
Ripping force acc. to ISO 6015 (monobloc boom / TPA boom)	61,000 N
Ground pressure (rubber crawlers)	0.40 daN/cm ²
Ground pressure (steel crawlers)	0.41 daN/cm ²

HYDRAULIC SYSTEM

Working hydraulics: Axial-piston variable displacement pump with load sensing, coupled with a load-independent flow distribution (LUDV). Simultaneous, independent control of all movements. Sensitive maneuvers irrespective of loads.

Max. pump capacity	190 l/min
Working pressure, max.	350 bar

The thermostatically controlled oil circuit ensures that the oil temperature is promptly reached and avoids overheating. Hydraulically actuated reversible fan. Return filter installed in oil tank allows for eco-friendly replacement of filter elements.

Dual gear pump for all positioning movements, pivoting of uppercarriage and for hydrostatic fan.

Pump capacity, max.	76 + 38 l/min
Working pressure, max.	230 bar

Control circuit for work attachments (proportionally operated):

Pump capacity, adjustable up to max.	20 - 100 l/min
Working pressure, max.	350 bar

Two servo-assisted joystick controls (ISO) for excavator operations.

CAB

Spacious, sound-insulated full-vision steel cab (ROPS certified). Sliding window in cab door. Safety glass windows, thermo windows tinted in green. Skylight thermo window, bronze tinted. Panoramic rear window. Front window supported by pneumatic springs, lockable for ventilation and slidable under cab roof. Windshield washer system. Storage compartment. Preparation for radio installation. Left-hand outside rear-view mirror.

Cab heating with front window defroster by coolant heat exchanger with stepless fan. Fresh air and recirculating air filters.

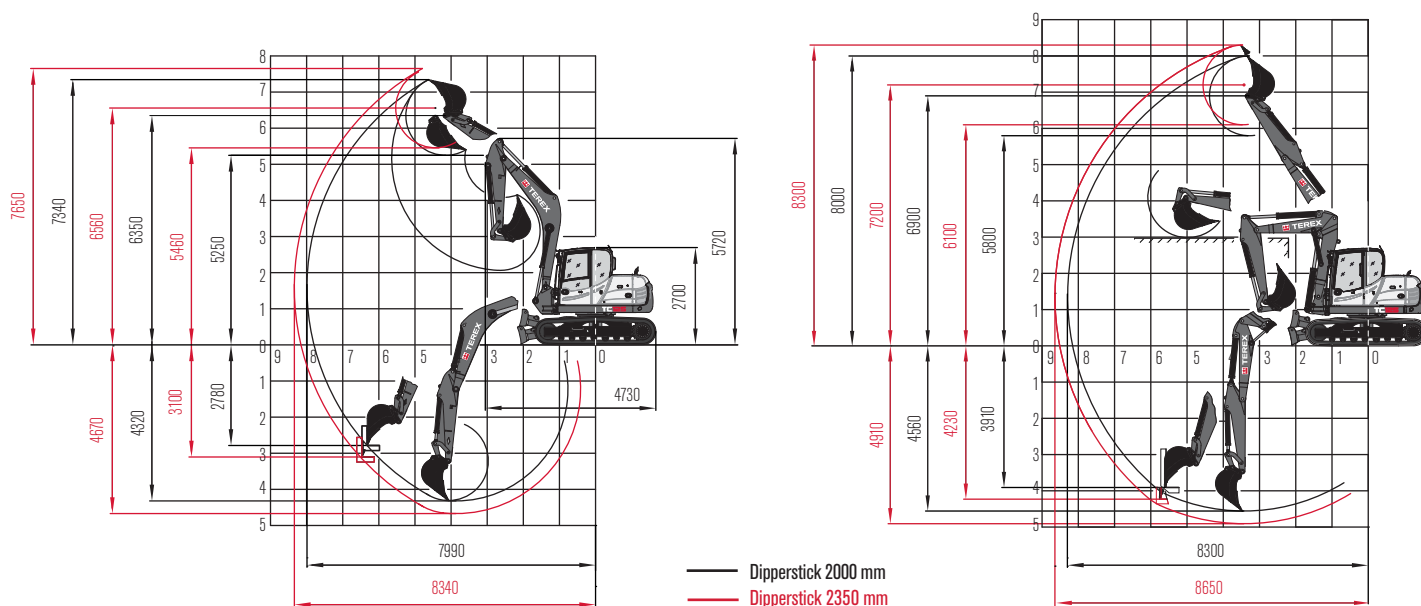
Operator's seat MSG 85 (comfort version), hydraulic damping, extra-high backrest, tilt-adjustable armrests, longitudinal-horizontal suspension, mechanical lumbar support. Lap belt.

Instrument panel on the right-hand side of the operator's seat with visual & acoustic warning device, hour-meter and safety module.

Working floodlights Halogen H-3.

Sound level values in compliance with EC-directives.

WORKING RANGES & DIMENSIONS: MONOBLOC BOOM / TPA BOOM



LIFTING CAPACITIES

Bucket hinge height Dipperstick 2000 mm		Load radius from center of ring gear									
		3.0 m		4.0 m		5.0 m		6.0 m		6.6 m	
		End	Side	End	Side	End	Side	End	Side	End	Side
3.0 m	S	-	-	3.20	3.00	2.60	1.90	2.40	1.40	2.20	1.10
	T	-	-	2.90	2.50	2.10	1.80	1.70	1.30	1.30	1.00
1.5 m	S	-	-	5.40	2.40	3.50	1.80	2.80	1.30	2.50	1.00
	T	-	-	3.00	2.20	2.10	1.60	1.60	1.20	1.20	1.00
0 m	S	7.40	4.10	5.60	2.30	4.00	1.60	2.70	1.30	2.70	1.10
	T	5.70	4.00	2.80	2.10	2.00	1.50	1.50	1.10	1.20	1.00
- 0.9 m	S	-	-	5.80	2.30	4.00	1.60	3.10	1.30	2.90	1.20
	T	-	-	2.90	2.10	2.00	1.50	1.50	1.20	1.40	1.10

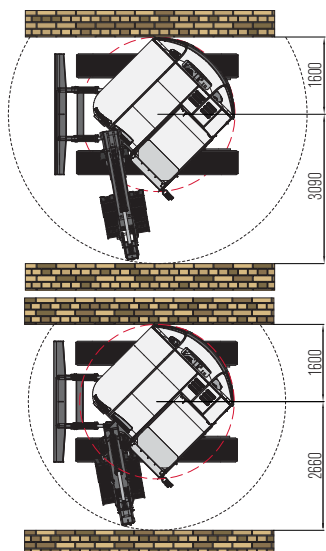
All values in tons (t) were determined acc. to ISO 10567 and include a stability factor of 1.33 or 87% of the hydraulic lifting capacity. All values were determined with quick-attach system but without bucket. In case of mounted-on work attachments, the deadweights of the work attachments must be deducted from the permissible operating loads.

Working equipment: Rubber crawlers, monobloc boom

Abbreviations: S = Supported by blade, T = Traveling

DIMENSIONS

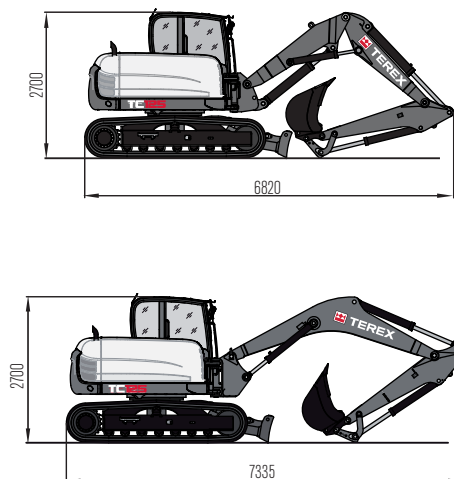
Fig. 1:
Working envelope



Two-piece articulated boom

Monobloc boom

Fig. 3:
Transport position



WORK ATTACHMENTS

BUCKETS

Bucket, QAS	400 mm wide, capacity 149 l
Bucket, QAS	500 mm wide, capacity 200 l
Bucket, QAS	600 mm wide, capacity 254 l
Bucket, QAS	700 mm wide, capacity 308 l
Bucket, QAS	800 mm wide, capacity 364 l
Bucket, QAS	900 mm wide, capacity 421 l
Bucket, QAS	1000 mm wide, capacity 477 l
Ditch-cleaning bucket, QAS	1500 mm wide, capacity 371 l
Swing bucket, QAS	1500 mm wide, capacity 371 l
Swing bucket, QAS	1800 mm wide, capacity 430 l

GRABS

Clamshell grab GS 3325, grab swing brake	set of shells 325 mm wide, capacity 150 l
Clamshell grab GS 3400, grab swing brake	set of shells 400 mm wide, capacity 200 l
Clamshell grab GS 3500, grab swing brake	set of shells 500 mm wide, capacity 250 l
Clamshell grab GS 3600, grab swing brake	set of shells 600 mm wide, capacity 325 l
Ejector	

OTHER WORK ATTACHMENTS

Ripper tooth / QAS (1 tooth)	Rototilt RT30
Hydraulic hammer	Quick-change adapter for hydraulic hammer
Augers	Bolt-on load hook for bucket rod
Load hook integrated in quick-attach system	
Further work attachments available on request	

OPTIONAL EQUIPMENT

BOOM OPTIONS

TPA boom, with dipperstick 1850 mm
TPA boom, with dipperstick 2350 mm
Monobloc boom, with extended dipperstick 2000 mm

CRAWLER CHAIN OPTIONS

Rubber crawler track, 500 mm wide
Rubber-coated steel crawler chain 'Roadliner', 500 mm wide.
Steel crawlers up to 800 mm wide

OPTIONAL SUPPORT/DOZER SYSTEMS

Front dozer blade, extra-long version

HYDRAULIC SYSTEM

Second control circuit (e.g. for sorting grab)	Biodegradable hydraulic oil / ester-based HLP 68 (Panolin)
Open return	Float position dozer blade
Terex 'Fingertip' control incl. second additional control circuit on left joystick	Terex 'Fingertip' control incl. third additional control circuit on left joystick
Conversion from ISO controls to Schaeff controls	Conversion from ISO controls to SAE controls

DIESEL ENGINE

Diesel particle filter

CAB

Lighting package: 1 double beam working floodlight - cab-mounted rear center, 1 working floodlight cab-mounted - front right	FOPS - skylight guard
Additional boom-mounted working floodlight	Radio set installation kit
Yellow beacon	Sliding window on right-hand side

DRIVER'S STAND

Operator's seat MSG 95 (premium version), air damping, extra-high backrest and tilt-adjustable armrests, longitudinal-horizontal suspension, seat and backrest heating, pneumatic lumbar support	
Klimatronic	Thermoelectric cooler

OTHER OPTIONAL EQUIPMENT

Additional rear weight 480 kg	Anti-theft device (immobilizer)
Quick-attach system, mechanical (genuine Lehnhoff system), type MS08	Quick-attach system, hydraulic (genuine Lehnhoff system), type HS08
Hydraulic installation for quick-attach system	Electrical refueling pump
Engine-independent diesel heater with fresh air circulation and timer	Working floodlight, boom-mounted
Special coating / adhesive films	Further optional equipment available on request

www.terex.com/construction

Effective Date: August 01, 2010. Product specifications and prices are subject to change without notice or obligation. The photographs and/or drawings in this document are for illustrative purposes only. Refer to the appropriate Operator's Manual for instructions on the proper use of this equipment. Failure to follow the appropriate Operator's Manual when using our equipment or to otherwise act irresponsibly may result in serious injury or death. The only warranty applicable to our equipment is the standard written warranty applicable to the particular product. Terex makes no other warranty, express or implied. Products and services listed may be trademarks, service marks or trade-names of Terex Corporation and/or its subsidiaries in the USA and other countries. All rights are reserved. "Terex" is a registered trademark of Terex Corporation in the USA and many other countries. Copyright © 2014 Terex Corporation (R5_250614) Ref. no.: TERE565EN

Terex Compact Germany GmbH
 Kraftwerkstr. 4
 D-74564 Crailsheim
 Tel: +49 (0)7951 / 9357-0 Fax: +49 (0)7951 / 9357-671
 construction@terex.com www.terex.com



WORKS FOR YOU.™