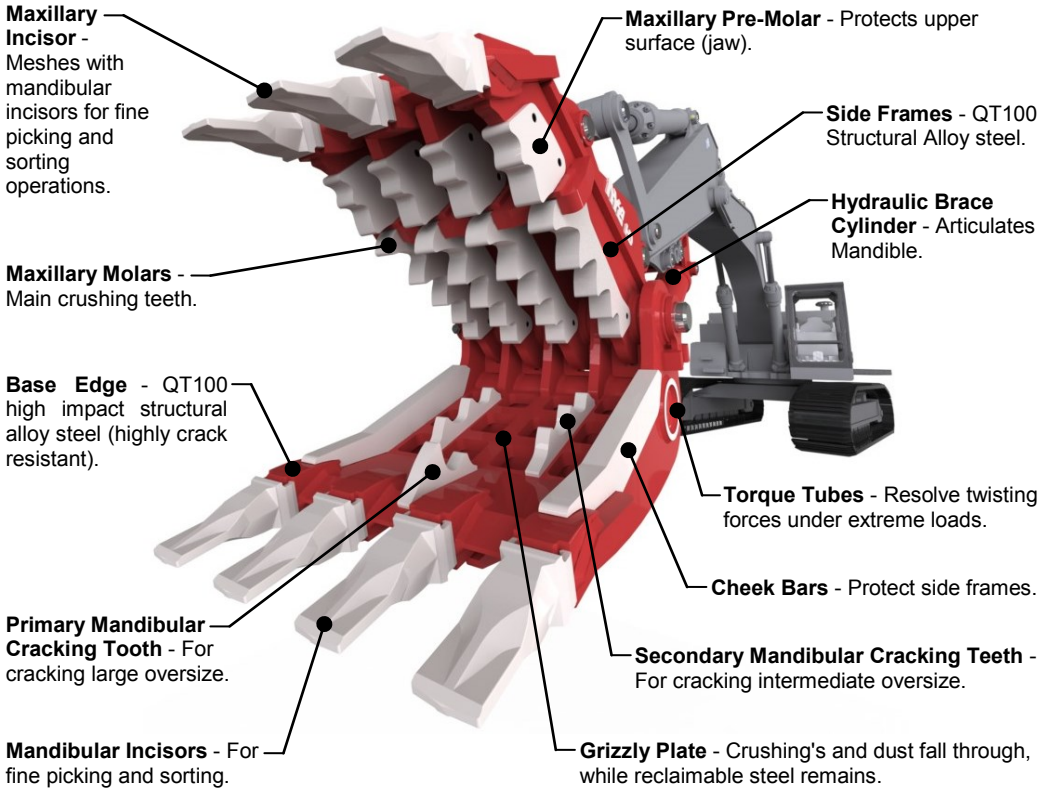
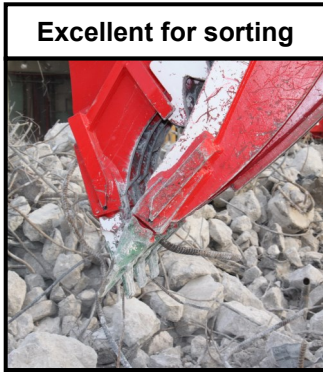


Features and Benefits

- Replaceable pin-on crushing teeth.
- Heavy duty hydraulic brace cylinder articulates mandible, providing increased efficiency during crushing.
- Meshing incisors allow for precise picking and sorting of reclaimable materials.
- Cylinder rod protected by sliding guard.
- Pin grabber and quick coupler models available.



TRX Series Typical Specifications

Carrier	Model	Opening mm [in]	Weight kg [lb]
16 - 24 t	TRX200	1,683 [66]	2,537 [5,593]
22 - 28 t	TRX250	1,930 [76]	2,909 [6,413]
26 - 38 t	TRX350	2,254 [89]	3,398 [7,491]
35 - 50 t	TRX450	2,550 [100]	3,844 [8,475]
48 - 60 t	TRX550	3,060 [121]	4,613 [10,170]
59 - 90 t	TRX750	3,443 [136"]	5,189 [11,440]

Nye TRX Concrete Pulverizer:

Nye engineers studied the mechanics of how carnivores crush solid bone with their teeth then coupled that with their extensive knowledge in the demolition industry to come up with the "T-Rex".

Primarily designed for crushing operations, this new type of secondary processor can also be used for precision picking and sorting of reclaimable materials.

Precision meshing incisors allow the operator to accurately separate reinforcing rod from concrete.

Forward loading design lends itself nicely as a shovel to scoop up and sort through debris piles with ease.

For more information call us at 905 897 2311 or click: nye.ca.

All Nye products are warranted to be free of defects in materials and workmanship for a period of 2 years or 2,000 hours. Specifications subject to change.

nye.ca/t-rex

nye.ca/terms

Nye Manufacturing Ltd.
 3585 Mavis Rd.
 Mississauga, ON L5C 1T7
 Canada
 +1 905 897 2311
sales@nye.ca nye.ca



Nye is a proud family owned Canadian business; going strong for over 60 years

Put our expertise to work for you!

Scan for videos →



T-Rex Specifications

1952-2017
65
YEARS



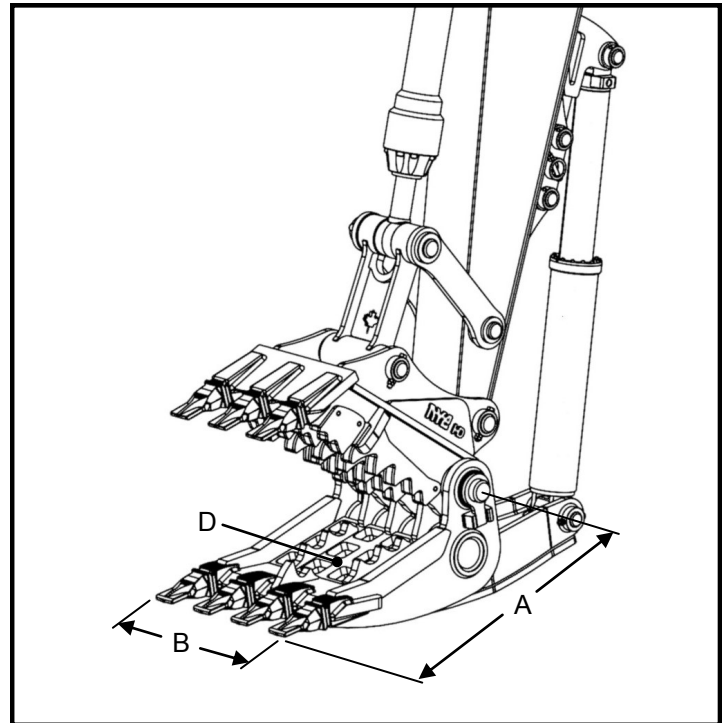
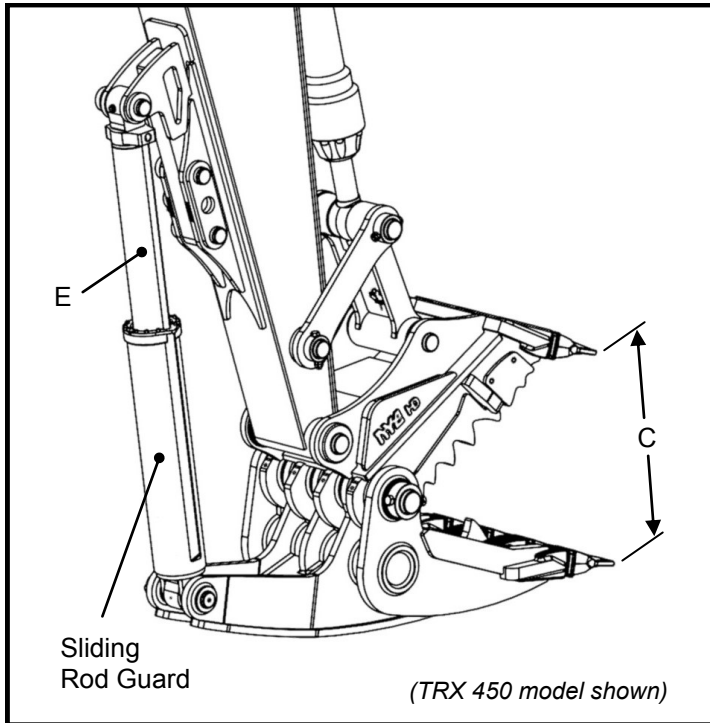
CARRIER [x1000lbs]	MODEL [‡]	WEIGHT	TEETH [*]	JAW DEPTH (A)	LOWER JAW WIDTH (B)	MAX. JAW OPENING (C)	GRIZZLY OPENINGS (D)	CYLINDER (E)
16 - 24 t [35 - 53]	TRX200	2,537 [5,593]	V33SYL X 5	1,051 [41.4]	759 [29.9]	1,683 [66.3]	102 [4]	4" Bore 34" Stroke
	TRX200U					1,632 [64.3]		
22 - 28 t [48 - 62]	TRX250	2,909 [6,413]	V39SYL X 5	1,205 [47.4]	871 [34.3]	1,930 [76]	114 [4.5]	5" Bore 40" Stroke
	TRX250U					1,871 [73.7]		
26 - 38 t [57 - 84]	TRX350	3,398 [7,491]	V39SYL X 7	1,399 [55.1]	1,020 [40.2]	2,254 [88.7]	140 [5.5]	5" Bore 40" Stroke
	TRX350U					2,185 [86]		
35 - 50 t [77 - 110]	TRX450	3,844 [8,475]	V51SYL X 7	1,592 [62.7]	1,150 [45.3]	2,550 [100.4]	155 [6]	6" Bore 42" Stroke
	TRX450U					2,472 [97.3]		
48 - 60 t [106 - 132]	TRX550	4,613 [10,170]	V59SYL X 7	1,910 [75.2]	1,380 [54.3]	3,060 [120.5]	178 [7]	6" Bore 42" Stroke
	TRX550U					2,966 [116.8]		
59 - 90 [130 - 198]	TRX750	5,189 [11,440]	V61SYL X 7	2,149 [84.6]	1,553 [61.1]	3,443 [135.6]	203 [8]	7" Bore 64" Stroke
	TRX750U					3,337 [131.4]		

[‡] U = Pin Grabber

^{*} Customer's choice (as permits)

Spec's subject to change

Units of Measure: kg [lb] and mm [in]



Nye Manufacturing Ltd.
3585 Mavis Rd.
Mississauga, ON L5C 1T7
Canada
+1 905 897 2311
sales@nye.ca nye.ca



Nye is a proud family owned Canadian business; going strong for over 60 years

Put our expertise to work for you!

Scan for videos →

