



**DIECI**

**SAMSON**

50.8 | 60.9 | 65.8





## ***NEW CONSTRUCTION*** *THE CONSTRUCTION SITE IN YOUR HANDS*

The needs on construction sites are changing: management costs must be reduced, the vehicles productivity must be continuously improved. And Dieci meets its customers new requirements, evolving its own Product Offering with a new proposal of models that completes the Construction range.

More versatile vehicles - to perform different jobs - more **robust**, more **reliable**, **easy** and intuitive to use, while guaranteeing the maximum safety at all times. Maintenance is very easy thanks to **durable** components and materials that require replacement after several hundred hours of use. Modern vehicle, even in the lines, with the new Giugiaro Design cab enriched with materials derived from Truck and Automotive sectors that enhance its interiors. The **Samson** family consists of extremely robust and strong telehandlers, with outstanding power qualities and lifting capacity that make it particularly suitable for heavy and intensive work both in the construction and industrial sectors. Designed for professional use and heavy-duty applications, where strength and speed are essential features to achieve the maximum productivity. The wide range of equipment available allow to carry out various operations: with a telehandler, **you have the whole construction site in your hands.**



# POWER AND CONTROL

## DIECI HARDWARE AND SOFTWARE

- The **Vario System Transmission** ensures power, responsiveness and control even at maximum load, thanks to the integrated electronic control
- **4 Driving Modes:** Normal, ECO, Creeper, Loader
- **New control software** developed by the Dieci R&D department: advanced boom, vehicle, engine, transmission and exhaust gas treatment
- High-strength steel structures produced internally by Dieci: **top market performance**
- **Load sensing pump:** to manage up to 4 simultaneous movements at maximum capacity



### SAMSON 50.8

- ↑ Height 7.7 m
- 📊 Capacity 5000 kg
- ⚡ Max. power 114 kW@1800 rpm
- 📖 Mass 10560 kg



### SAMSON 60.9

- ↑ Height 8.6 m
- 📊 Capacity 6000 kg
- ⚡ Max. power 114 kW@1800 rpm
- 📖 Mass 11500 kg



### SAMSON 65.8

- ↑ Height 7.7 m
- 📊 Capacity 6500 kg
- ⚡ Max. power 114 kW@1800 rpm
- 📖 Mass 11300 kg







## ***STRONG AND SAFE***

### ***POWERFUL AND STABLE***

- **Extremely rugged** vehicles with **exceptional loading capacities** in all operating conditions, with boom retracted or extended
- **High power and efficiency FPT engines:** low noise, low consumption and low emissions
- **Arm too high** function: forward movement speed limited automatically when the boom is raised
- **Increased lateral stability:** more rigid chassis
- **EN15000 anti-tipping system:** aggravating movements blocked in the event of overload and load level always in evidence
- **ROPS and FOPS Cab:** operator protection guaranteed thanks to the dimensional stability of the cab
- **Transversal leveling device\*:** to always work with the chassis in horizontal position, even on uneven ground

***GREAT LOADING CAPACITIES***

***ARM TOO HIGH***

***ROPS - FOPS***



## EASY AND INTUITIVE

### INTELLIGENT COMMANDS

- All boom movements are controlled by a **single joystick**, in a precise and proportional way and regardless of the load
- **Simultaneous movements** facilitate and speed up work in all conditions
- Dashboard with clear 7" monitor and **well-distributed controls**
- **Automatic electric parking brake**, even with the engine off: hill-start assist always available
- **Joystick with integrated FNR**, with capacitive sensor to automatically detect the operator's presence
- Vehicle information and diagnostic menu browsable in the 7" display

INTEGRATED FNR

PARKING BRAKE



## VERSATILE AND FLEXIBLE

### WIDE RANGE OF EQUIPMENT

- The new Samson vehicles have been designed to use the **various equipment** needed to carry out **all the work required by a construction site**: forks, loaders, lifting hooks, jibs with winches, grippers, material baskets, mixing buckets, concrete ladles, sweepers, salt spreader, snowplow blades
- **Automatic equipment recognition**: the vehicle configures itself automatically recognizing the equipment attached



# PRACTICAL AND RELIABLE

## FACILITATED DRIVING AND MAINTENANCE

- **Four driving wheels** and four steering wheels
- **Three steering modes** which can be selected by the operator: concentric, front and crab
- Hydraulic oil change every **2000 hours**
- **Easy to reach filters** in the engine compartment
- Sturdy and durable boom assembly: **tested reliability** for years of multiple applications and uses.
- **Standard battery isolation switch**, well protected and quickly accessible from the engine compartment

**4 DRIVE WHEELS**

**OIL: 2000 HOURS**



# COMFORT AND EFFICIENCY

## NEW GIUGIARO DESIGN

- **New Giugiaro Design cab:** fine interiors derived from the Truck and Automotive sectors
- **Cruise Control:** electronic accelerator and limiter
- **More space** for the operator's legs
- Adjustable steering column
- Adjustable armrest
- **Three seat suspension systems** to choose from: mechanical, pneumatic and low frequency pneumatic
- Soundproofing roof, dashboard and mat
- Large windows
- Integrated **LED work lights** for maximum visibility even at night: on the cab, boom and perimeter
- Rear-view mirrors that allow all-round visibility
- Optional **cameras**
- Direction of travel and boom controlled by the **new ergonomic joystick**
- **Low consumption, high efficiency, optimized yield and maximum safety** in all the vehicle conditions of use



# TECHNICAL DATA

## PERFORMANCE

Vehicle model	SAMSON 50.8 VS EVO2-GD	SAMSON 60.9 VS EVO2-GD	SAMSON 65.8 VS EVO2-GD
Maximum capacity	5000 kg (11023 lb)	6000 kg (13228 lb)	6500 kg (14330 lb)
Maximum lifting height	7,70 m (25,3 ft)	8,60 m (28,2 ft)	7,70 m (25,3 ft)
Pull-out force	5700 daN (12814 lbf)	5700 daN (12814 lbf)	5700 daN (12814 lbf)
Towing force	7300 daN (16411 lbf)	7300 daN (16411 lbf)	7300 daN (16411 lbf)
Maximum climb angle	40%	40%	40%
Unladen weight	10560 kg (23281 lb)	11500 kg (25353 lb)	11300 kg (24912 lb)
Max speed (referred to wheels with maximum permitted diameter)	40 km/h (24,9 mph)	40 km/h (24,9 mph)	40 km/h (24,9 mph)

## ENGINE

Brand	FPT
Nominal power	103 kW (138 HP)
@rpm	2200 rpm
Peak power	114 kW (153 HP)
@rpm	1800 rpm
Displacement	4485 cm³ (274 in³)
Emission standard	Stage IV/Tier 4f
Exhaust gas treatment	DOC+SCR
Intake	16-valve turbo compressor, aftercooler

## HYDRAULIC SYSTEM

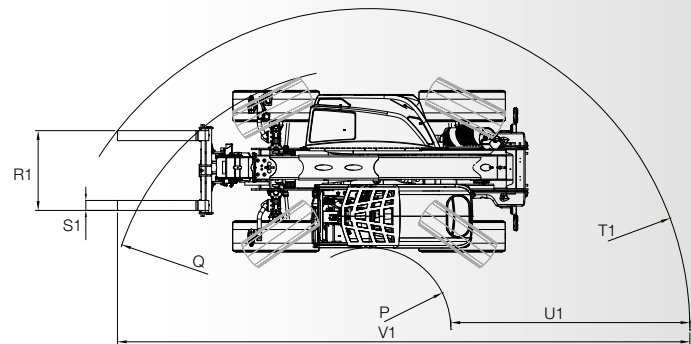
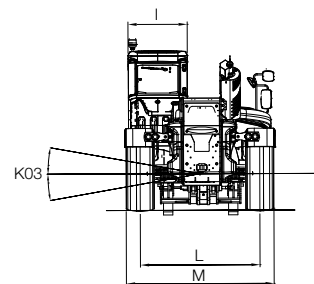
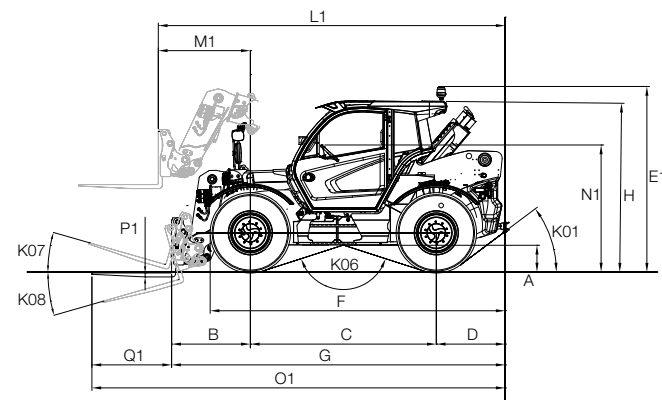
Hydraulic pump type	Piston pump with variable flow rate for power steering and movements. Gear pumps for Fan Drive with automatic fan reversal.
Hydraulic pump capacity	247 L/min (65,3 gal/min)
Max. operating pressure	26,0 MPa (3771 psi)
Distributor control	4 in 1 proportional Joystick with FNR

## TRANSMISSION

Transmission type	Hydrostatic single speed Vario System EVO2 with electronic control
Hydraulic motor	2 Hydraulic motors with continuous automatic adjustment
Reversal	With electronic control operated with vehicle in motion
Inching	With electronic pedal for controlled forward movement

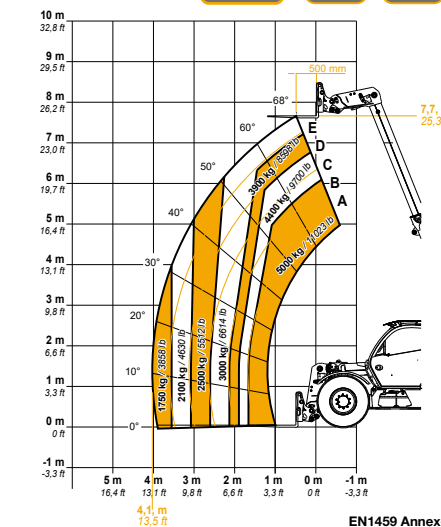
## DIMENSIONS

	SAMSON 50.8 VS EVO2-GD	SAMSON 60.9VS EVO2-GD	SAMSON 65.8VS EVO2-GD
A	400 mm (15,7 in)	400 mm (15,7 in)	400 mm (15,7 in)
B	1186 mm (46,7 in)	1536 mm (60,5 in)	1186 mm (46,7 in)
C	2800 mm (110,2 in)	2800 mm (110,2 in)	2800 mm (110,2 in)
D	1037 mm (40,8 in)	1037 mm (40,8 in)	1037 mm (40,8 in)
E1	2800 mm (110,2 in)	2800 mm (110,2 in)	2800 mm (110,2 in)
F	4442 mm (174,9 in)	4442 mm (174,9 in)	4442 mm (174,9 in)
G	5023 mm (197,8 in)	5373 mm (211,5 in)	5023 mm (197,8 in)
H	2545 mm (100,2 in)	2545 mm (100,2 in)	2545 mm (100,2 in)
I	960 mm (37,8 in)	960 mm (37,8 in)	960 mm (37,8 in)
K01	37°	37°	37°
K03	10°	10°	10°
K06	144°	144°	144°
K07	16°	16°	16°
K08	131°	131°	131°
L	1930 mm (76 in)	1930 mm (76 in)	1930 mm (76 in)
L1	5223 mm (205,6 in)	5561 mm (218,9 in)	5223 mm (205,6 in)
M	2375 mm (93,5 in)	2390 mm (94,1 in)	2375 mm (93,5 in)
M1	1386 mm (54,6 in)	1724 mm (67,9 in)	1386 mm (54,6 in)
N1	1910 mm (75,2 in)	1910 mm (75,2 in)	1910 mm (75,2 in)
O1	6223 mm (245 in)	6573 mm (258,8 in)	6223 mm (245 in)
P	1229 mm (48,4 in)	1229 mm (48,4 in)	1229 mm (48,4 in)
P1	60 mm (2,4 in)	60 mm (2,4 in)	60 mm (2,4 in)
Q	3933 mm (154,8 in)	3933 mm (154,8 in)	3933 mm (154,8 in)
Q1	1200 mm (47,2 in)	1200 mm (47,2 in)	1200 mm (47,2 in)
R1	1200 mm (47,2 in)	1200 mm (47,2 in)	1200 mm (47,2 in)
S1	150 mm (5,9 in)	150 mm (5,9 in)	150 mm (5,9 in)
T1	4824 mm (189,9 in)	5104 mm (200,9 in)	4824 mm (189,9 in)
U1	3596 mm (141,6 in)	3875 mm (152,6 in)	3596 mm (141,6 in)
V1	8613 mm (339,1 in)	-	8613 mm (339,1 in)



MAX  
5000 kg / 11023 lb

500 mm  
24 in

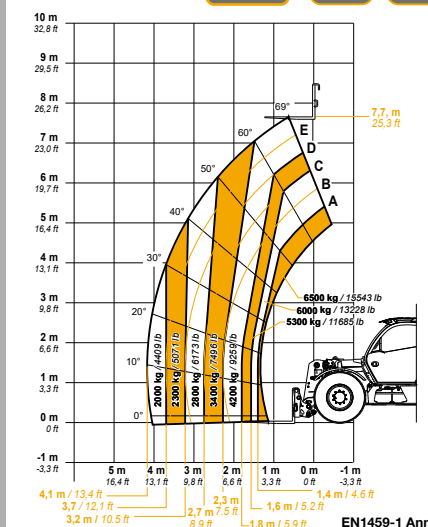


EN1459 Annex-B

50.8

MAX  
6500 kg / 14330 lb

600 mm  
24 in

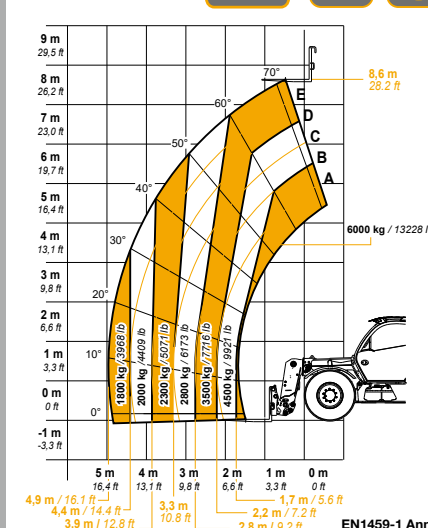


EN1459-1 Annex-B

65.8

MAX  
6000 kg / 13228 lb

600 mm  
24 in



EN1459-1 Annex-B

60.9



# DIECI SERVICE

## **ASSISTANCE SERVICE ALWAYS AND EVERYWHERE**

General headquarters in Emilia Romagna - over 135,000 square meters and about 400 people employed - and 3 branches in Germany, United Kingdom, France: Dieci is present in over 70 Countries with **an extensive network of over 400 dealers** and authorized service centers.

**Dieci Service**, our global technical assistance service, is developed on this basis: our customers are assisted directly by specialized technicians and every request is satisfied in a very short time. Dieci Service, **within a few hours, can provide interventions and spare parts all over the world.**

Visit [www.dieci.com](http://www.dieci.com) to find the dealer closest to you.

400 **DEALERS**

70 **COUNTRIES**

3 **BRANCHES**





**SAMSON**

50.8 | 60.9 | 65.8

**DIECI**

[www.dieci.com](http://www.dieci.com)

