

# **DIECI**

**A M E R I C A S**  
TELEHANDLERS



45.8

60.9

65.8

75.10

**SAMSON**



## REFUELING

Machine model	SAMSON 45.8	SAMSON 65.8	SAMSON 65.8	SAMSON 60.9	SAMSON 60.9	SAMSON 75.10	SAMSON 75.10
Hydraulic system (total)	40,95 gal (155,0 L)	42,27 gal (160,0 L)	42,27 gal (160,0 L)	42,27 gal (160,0 L)	42,27 gal (160,0 L)	42,27 gal (160,0 L)	42,27 gal (160,0 L)
Diesel tank	27,74 gal (105,0 L)	33,02 gal (125,0 L)	33,02 gal (125,0 L)	33,02 gal (125,0 L)	33,02 gal (125,0 L)	27,74 gal (105,0 L)	27,74 gal (105,0 L)
AdBlue tank	-	7,13 gal (27,0 L)	7,13 gal (27,0 L)	7,13 gal (27,0 L)	7,13 gal (27,0 L)	9,25 gal (35,0 L)	9,25 gal (35,0 L)

## TRANSMISSION

Machine model	SAMSON 45.8	SAMSON 65.8	SAMSON 65.8	SAMSON 60.9	SAMSON 60.9	SAMSON 75.10	SAMSON 75.10
Transmission type	Hydrostatic with variable flow pump	Hydrostatic with variable flow pump	Hydrostatic with variable flow pump	Hydrostatic with variable flow pump	Hydrostatic with variable flow pump	Hydrostatic with variable flow pump	Hydrostatic with variable flow pump
Hydraulic motor	Hydrostatic with continuous automatic adjustment	Hydrostatic with continuous automatic adjustment	Hydrostatic with continuous automatic adjustment	Hydrostatic with continuous automatic adjustment	Hydrostatic with continuous automatic adjustment	Hydrostatic with continuous automatic adjustment	Hydrostatic with continuous automatic adjustment
Reversal	Electro-Hydraulic	Electro-Hydraulic	Electro-Hydraulic	Electro-Hydraulic	Electro-Hydraulic	Electro-Hydraulic	Electro-Hydraulic
Inching	With hydraulic pedal for controlled forward movement	With hydraulic pedal for controlled forward movement	With hydraulic pedal for controlled forward movement	With hydraulic pedal for controlled forward movement	With hydraulic pedal for controlled forward movement	With hydraulic pedal for controlled forward movement	With hydraulic pedal for controlled forward movement
Transmission gearbox	Servocontrolled 2-speed	Servocontrolled 2-speed	Servocontrolled 2-speed	Servocontrolled 2-speed	Servocontrolled 2-speed	Servocontrolled 2-speed	Servocontrolled 2-speed

## TOWING CAPACITY (upon request)

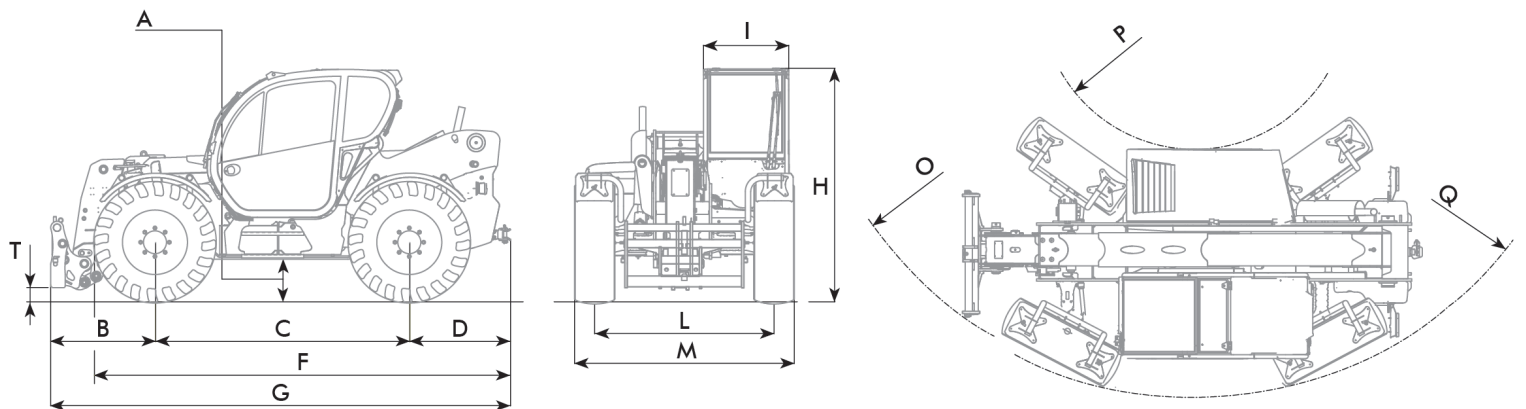
Machine model	SAMSON 45.8	SAMSON 65.8	SAMSON 65.8	SAMSON 60.9	SAMSON 60.9	SAMSON 75.10	SAMSON 75.10
Unbraked trailer	-	13228 lb (6000 kg)	13228 lb (6000 kg)	13228 lb (6000 kg)	13228 lb (6000 kg)	-	-
Inertia braking	-	19842 lb (9000 kg)	19842 lb (9000 kg)	19842 lb (9000 kg)	19842 lb (9000 kg)	-	-
Mechanical braking	#REF!	#REF!	#REF!	#REF!	#REF!	#REF!	#REF!
Hydraulic/pneumatic braking	#REF!	#REF!	#REF!	#REF!	#REF!	#REF!	#REF!

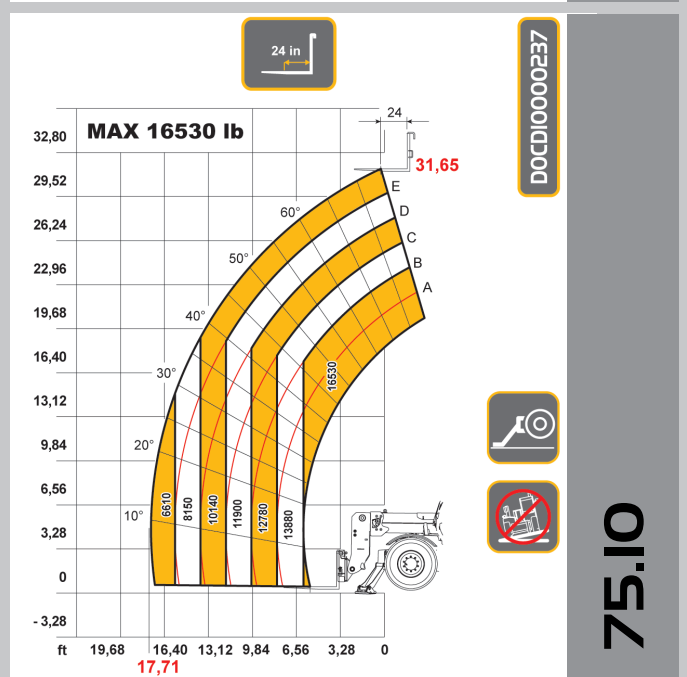
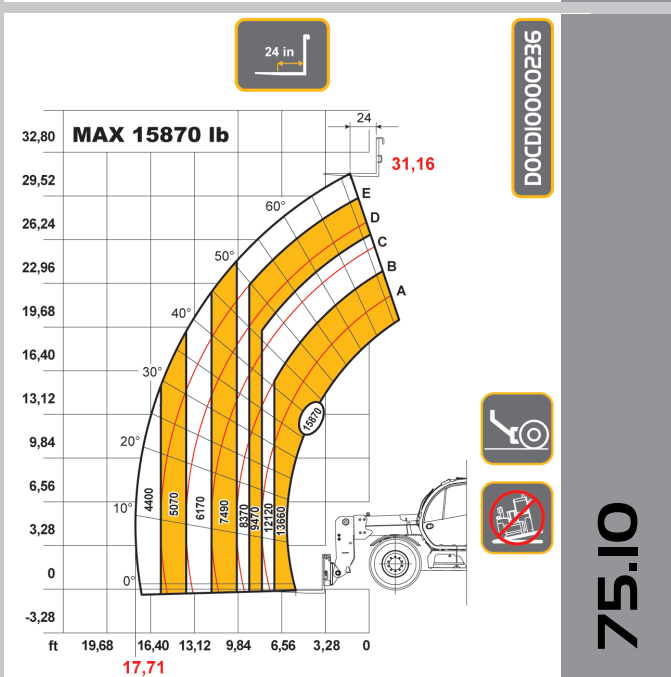
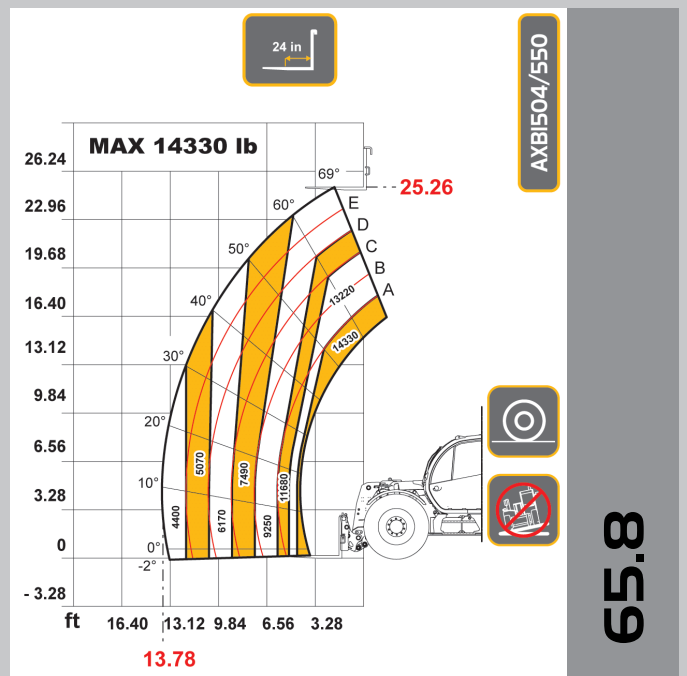
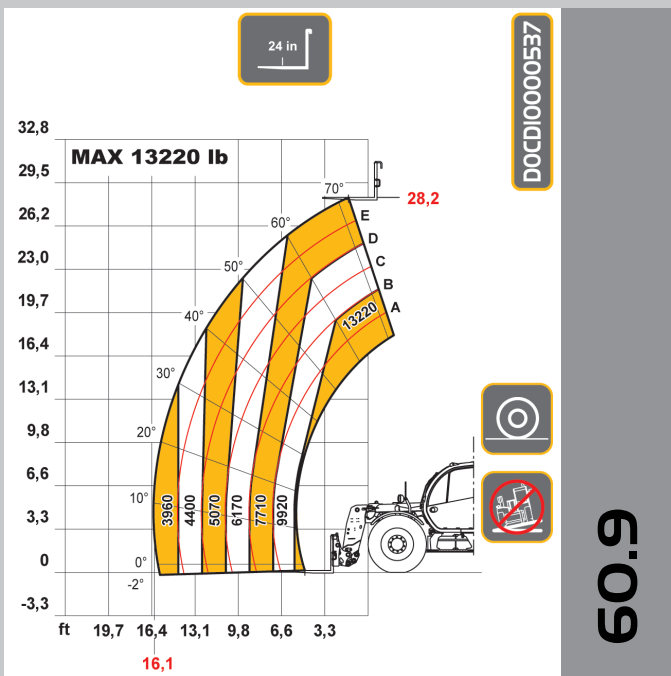
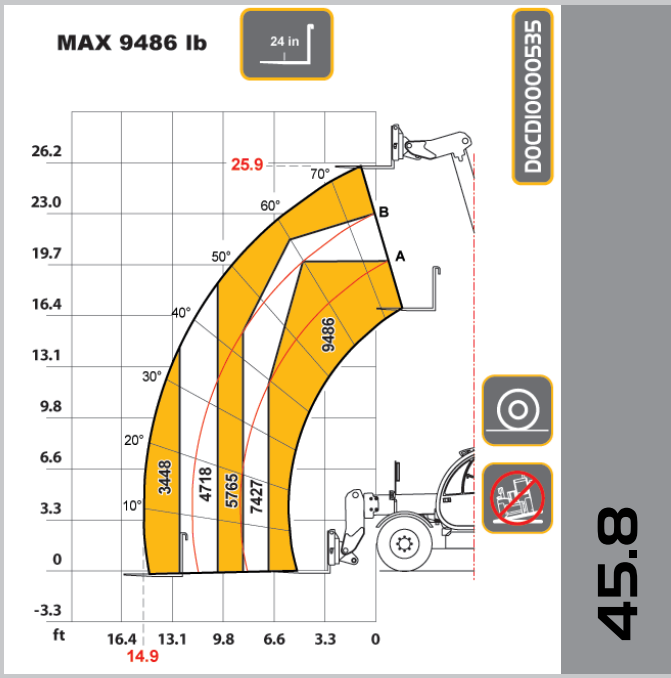
## TIRES

Machine model	SAMSON 45.8	SAMSON 65.8	SAMSON 65.8	SAMSON 60.9	SAMSON 60.9	SAMSON 75.10	SAMSON 75.10
Standard tires	400/70x20"	18x22.5"	18x22.5"	18x22.5"	18x22.5"	18x22.5"	18x22.5"
Optional tires	400/70x24"; 18x22.5"	500/70R24"; 17.5R25"	500/70R24"; 17.5R25"	500/70R24"; 17.5R25"	500/70R24"; 17.5R25"	-	-

## DIMENSIONS

Machine model	SAMSON 45.8	SAMSON 65.8	SAMSON 65.8	SAMSON 60.9	SAMSON 60.9	SAMSON 75.10	SAMSON 75.10
A	17,3 in (440 mm)	15,6 in (395 mm)	15,6 in (395 mm)	15,6 in (395 mm)	15,6 in (395 mm)	17,3 in (440 mm)	17,3 in (440 mm)
B	58,3 in (1480 mm)	59,3 in (1505 mm)	59,3 in (1505 mm)	59,3 in (1505 mm)	59,3 in (1505 mm)	58,3 in (1480 mm)	58,3 in (1480 mm)
C	102,4 in (2600 mm)	110,2 in (2800 mm)	110,2 in (2800 mm)	110,2 in (2800 mm)	110,2 in (2800 mm)	116,1 in (2950 mm)	116,1 in (2950 mm)
D	33,9 in (860 mm)	41,3 in (1050 mm)	41,3 in (1050 mm)	41,3 in (1050 mm)	41,3 in (1050 mm)	52,4 in (1330 mm)	52,4 in (1330 mm)
F	157,5 in (4000 mm)	174,6 in (4435 mm)	174,6 in (4435 mm)	174,6 in (4435 mm)	174,6 in (4435 mm)	189,8 in (4820 mm)	189,8 in (4820 mm)
G	194,5 in (4940 mm)	197 in (5005 mm)	197 in (5005 mm)	210,8 in (5355 mm)	210,8 in (5355 mm)	232,7 in (5910 mm)	232,7 in (5910 mm)
H	96,9 in (2460 mm)	98,2 in (2495 mm)	98,2 in (2495 mm)	98,2 in (2495 mm)	98,2 in (2495 mm)	98 in (2490 mm)	98 in (2490 mm)
I	37 in (940 mm)	37 in (940 mm)	37 in (940 mm)	37 in (940 mm)	37 in (940 mm)	37 in (940 mm)	37 in (940 mm)
L	75,2 in (1910 mm)	75,6 in (1920 mm)	75,6 in (1920 mm)	75,6 in (1920 mm)	75,6 in (1920 mm)	75,6 in (1920 mm)	75,6 in (1920 mm)
M	90,9 in (2310 mm)	94,1 in (2390 mm)	94,1 in (2390 mm)	94,1 in (2390 mm)	94,1 in (2390 mm)	93,7 in (2380 mm)	93,7 in (2380 mm)
O	160,6 in (4080 mm)	171,3 in (4350 mm)	171,3 in (4350 mm)	179,1 in (4550 mm)	179,1 in (4550 mm)	186,2 in (4730 mm)	186,2 in (4730 mm)
P	49,6 in (1260 mm)	66,9 in (1700 mm)	66,9 in (1700 mm)	66,9 in (1700 mm)	66,9 in (1700 mm)	66,9 in (1700 mm)	66,9 in (1700 mm)
Q	154,3 in (3920 mm)	173,2 in (4400 mm)	173,2 in (4400 mm)	173,2 in (4400 mm)	173,2 in (4400 mm)	173,2 in (4400 mm)	173,2 in (4400 mm)
T	4,9 in (125 mm)	5,7 in (145 mm)	5,7 in (145 mm)	5,7 in (145 mm)	5,7 in (145 mm)	3,9 in (100 mm)	3,9 in (100 mm)





PO Box 741, Wyalusing, PA 18853

P: 844.257.2933 - F: 412.458.1084 - website: [www.dieci-americas.com](http://www.dieci-americas.com)

SKT Samson - Dieci Americas -UK | v. 1.2