



www.custers.nl

CUSTERS®

CUSTERS® S15sp TRACTOR AERIAL WORK PLATFORM

S15sp

MAX. WORKING HEIGHT 15M

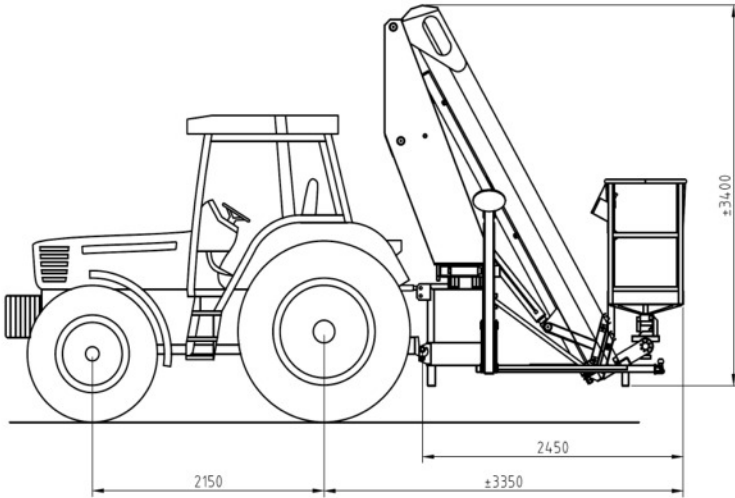


MAX. OUTREACH approx. 10M



Custers Hydraulica BV
Smakterweg 33
5804 AE Venray
Tel: +31-478553000
Fax: +31-478553010
E-mail: custers@usters.nl

S15sp



Working range: -2,5 till 13m*
 Max. outreach: 9m**
 Max. cage capacity: 200kg
 Total weight: 1500kg
 Max. Transport height: 3,5m
 Outrigger width: 4,4m
 Total length: 2.5m***

*= cage floor

**= edge of cage

***= folded without tractor

