

MBB C 2500 S

**THE ROBUST TAIL LIFT
FOR EFFICIENT
DISTRIBUTION OF GOODS**

LIFETIME EXCELLENCE



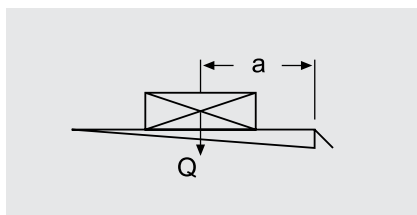
MBB C 2500 S

THE CANTILEVER LIFT

MBB C 2500 S

- 2500 kg lifting capacity at 1000 mm load centre
- Available with aluminum or steel platform
- For trucks and trailers
- Optimum stability / lifting capacity ratio
- Built to your individual requirements

DIAGRAM



MBB C 2500 S	
a (mm)	Q (kg)
1000	2500
1400	1785
1600	1560
1800	1385
2400	1040

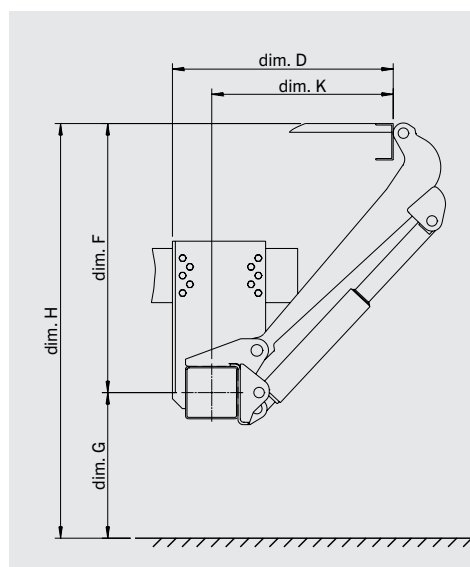
WEIGHT

Platform type	depth (mm)	width (mm)	weight (kg)
Alum.	2200	2500	685
Steel	2109	2400	890

TECHNICAL DATA

	MBB C 2500 S
Lifting capacity	2500 kg
Main beam	180 x 180 mm
Lifting gear hydraulics	2 x liftcylinder 2 x tiltcylinder
Platform overlap with floor	- 72 mm
Lift arm pitch	1300 mm
Load centre - longitudinal	1000 mm
Load centre - lateral	50 % of the full load on one side
Inclination angle of the platform	+90° to - 10°

DIMENSIONS



Lift arms (in mm)	900
H (max.) loading height unloaded	1554
H (min.) loading height loaded	1030
F (max.) middle of main beam to upper edge of loading floor	924
K (min.) at dimension F (max.)	654
D (min.) installation space	809
F (min.)	645
K (max.) at dimension F (min.)	901
D (max.) installation space	1056
G (max.) unloaded (middle of main beam to ground)	630
G (min.) loaded	365

PALFINGER TAIL LIFTS GmbH
 Fockestraße 53
 27777 Ganderkesee
 Germany
www.palfinger.com

