

M-13K

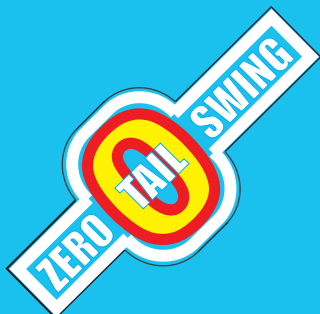
SHORT RADIUS
MINIEXCAVATOR

SHIPPING WEIGHT
Kg 1350



M-16U

ZERO TAIL SWING
MINIEXCAVATOR



FEATURES

- **M-13K is a hydraulic miniexcavator** with gear pumps.
- Its transportation weight is only **1350 Kg** and, due to it, the M-13K is suitable to be loaded on small trucks or trailers.
- Despite of its short slew radius (only 650 mm), the machine can ensure a good working stability.

- **M-16U is a hydrostatic miniexcavator** with variable displacement axial piston pump, classified as **Zero Tail Swing**.
- The variable track width (**retracted crawler width of 990 mm**) provides easy access to very small job sites.

STANDARD EQUIPMENT

- Largest engine power in 1,5 tons category.
- Travel levers and servo-controls disabling system by armrest lifting prevents accidents due to unexpected machine movement during entry or exit.
- Pilot assisted controls (joy-sticks) to operate arms and buckets.
- Canopy according to TOPS, FOPS.
- Hydraulic Power Take-Off (**P.T.O.**).
- For M-13K: standard bucket of 300 mm (SAE capacity lt. 25).
- For M-16U: standard bucket of 400 mm (SAE capacity lt. 36) - two driving speed.

OPTIONAL EQUIPMENT

- Buckets of mm 250, 350, 450, 500, standard, for rocks and for Quick Hitches - Bucket for slopes, standard or swivelling
- Buckets for cleaning - Mechanical or hydraulic quick hitch
- Hydraulic breaker - Hydraulic drill/rig.
Only for **M-16U**: Steel Track - Long arm (extra ballast compulsory)*
Removable roof to facilitate transport operations.

TECHNICAL DATA

ENGINE:

- Make and model		Kubota D902
- Max power at 3200 rpm (DIN 6271)	HP/Kw	20.4/15
- Rated horse power at 2400 rpm	HP/Kw	19/14
- Cylinders	N°	3
- Displacement	cm ³	898
- Cooling		water
- Battery	N°	1 - 12 V - 44 Ah

TECHNICAL DATA

M-13K

M-16U

HYDRAULIC SYSTEM

- Hydrostatic transmission with orbital motors and planetary reduction gears with negative brakes.			
- Travelling counter-balance valves..			
- N. 2 gear pumps	Lt/min	15x2	
- N. 2 variable displacement piston pump + gear pump	Lt/min		22x2+15
- Total delivery	Lt/min	30	59
- Auxiliary hydraulic flow for P.T.O.	Lt/min	30	36
- Max working pressure	bar	180	200/180
- Slew speed (with orbit motor)	rpm	9.5	11.7

- Boom, arm, bucket and slew actuated by servo-controlled joysticks.
- Mechanical levers to control track, pedals to control boom swing and P.T.O.
- Lever to control dozer blade.
- Heat exchanger for oil cooling.

UNDERCARRIAGE

- Box section steel frame.			
- Rubber track type and width	mm	200	230
- Track bearing rollers	N°	3+3 low/guide block	
- Track tensioning		adjusting screw	grease
- Dozer blade	mm	250x990	250x1295

PERFORMANCES

- Shipping weight	Kg	1350	1530
- Operating weight	Kg	1420	1600
- Break out force	daN	1200	1605
- Digging force	daN	800	895
- Travel speed	Km/h	1.8	2.0/2.7
- Max gradient capacity	over %	100	100
- Specific ground pressure	Kg/cm ²	0.285	0.276

REFUELLING

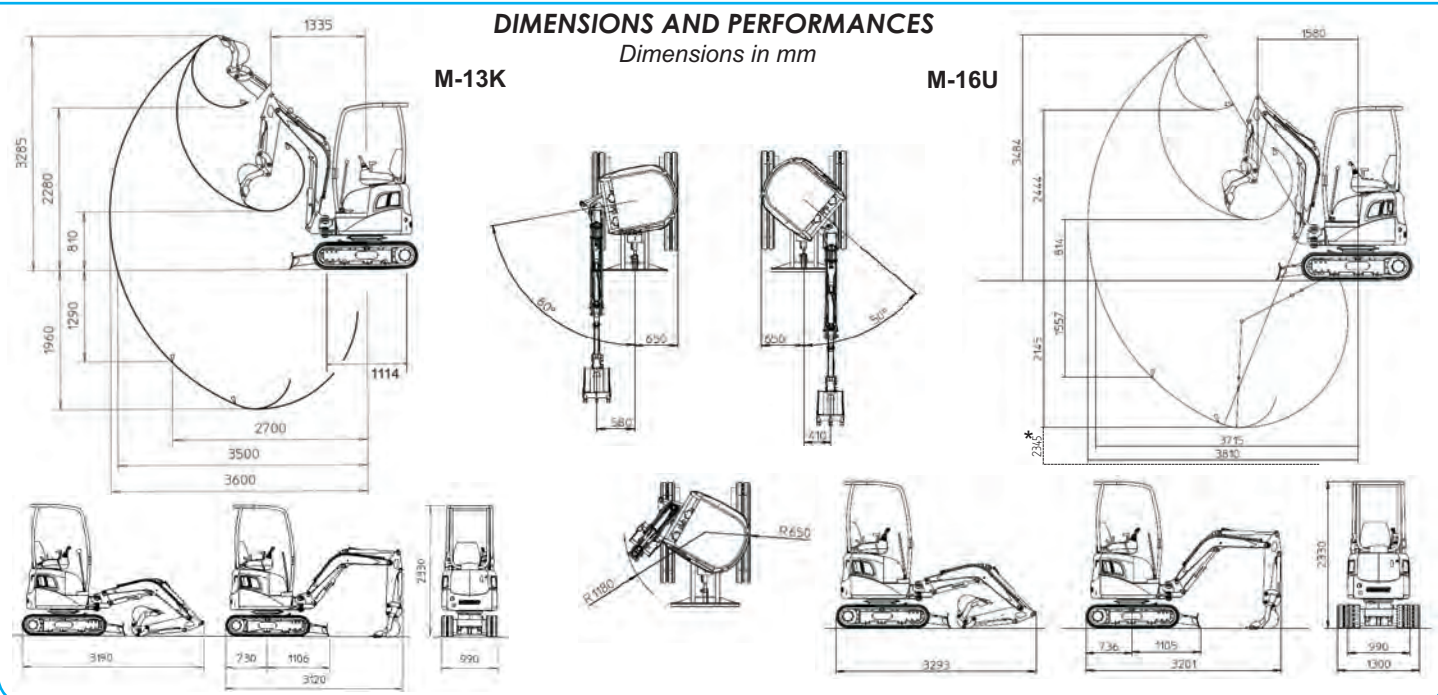
- Fuel tank capacity	lt	20
- Hydraulic oil tank capacity	lt	19

DIMENSIONS AND PERFORMANCES

Dimensions in mm

M-13K

M-16U



Data, features and pictures are not binding and may be altered without any notice.



MESSERSI Machines born to work

Via Arcevese, 44 - 60010 CASINE di OSTRÀ (AN) Italy Tel.+39.071.688771 r.a. - Fax +39.071.688586
Web: www.messersi.it E-mail: export@messersi.it



90060107_EN