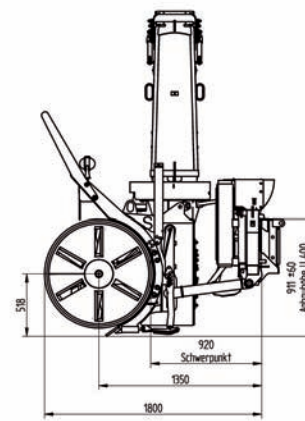
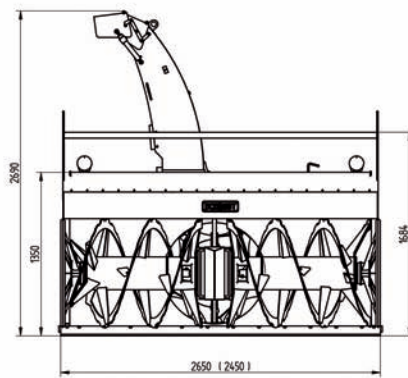
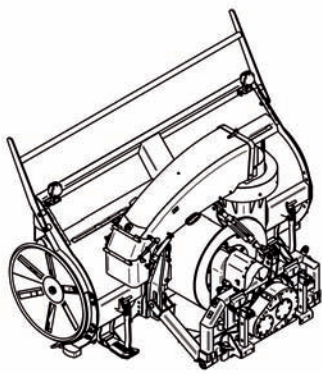


# FS Mountable Snow Cutter Blowers



For the removal of hard, icy snow and side walls of snow.





## FS Mountable Snow Cutter Blowers

The robust range of FS snow cutter blowers are designed to be mounted on UNIMOGs and to be used for severe winter municipal road maintenance. They are extremely efficient at clearing high levels of hard, icy snow. They are also capable of removing the side walls of snow left behind by snow ploughs.

### Construction and Technology

The FS series are made of high-quality materials making them capable of managing large demanding tasks. With their serrated cutting drum they are able to easily deal with old and hardened, icy snow. Snow cutting knives mounted on the side move the snow in front of the cutter drums. The snow is conveyed by the open cutting drums to the blower wheel and ejected through the 275° hydraulically pivoting chute. The FS mountable snow cutter blowers meet a wide range of demands with their wide variety of clearing abilities and widths. The drums and blower wheels are available in a large range of diameters. The snow cutter blower is powered by the frontal P.T.O. of the carrier vehicle. The power is directed to the blower wheel by drive shafts or more specifically via gear shift. After the blower wheel, an angular gear powers the cutting drums.

The cutting drums are located in the middle and on the sides for more stability.



### Flexible Clearing in Town and Country

The FS snow cutter blowers have clearing widths from 2 200 mm up to 2 650 mm. This makes them ideal for use on various types of roads. Ideally suited for clearing road surfaces in towns, they load the snow onto the trucks' loading platform with the pivoting loading chute. In rural areas the snow is ejected off to the sides with the ejection chute. These snow cutter blowers are even able to tackle snow heights of more than 1 000 mm.

### Carrier Vehicles

Both the FS 75 snow cutter blowers were developed for use with the UNIMOG U 300. The FS 90 and FS 105 are mounted on the UNIMOG U 400 and U 500. The FS 90 can also be used with the U 1600.

Technical Data	FS	FS	FS	FS	FS	FS
	75-220	75-245	90-245	90-265	105-245	105-265
Front end height (mm)	1 070	1 070	1 350	1 350	1 500	1 500
Clearing width (mm)	2 200	2 450	2 450	2 650	2 450	2 650
Drum diameter (mm)	750	750	900	900	1 050	1 050
Blower wheel diameter (mm)	700	700	850	850	1 000	1 000
Clearing capacity (t/h)	800	800	1 200	1 200	1 600	1 600
Weight ca. (kg)	1 160	1 270	1 590	1 690	1 900	1 980

Status 09/2007 Copyright © SCHMIDT Holding GmbH. All rights reserved. Errors and amendments excepted.

