

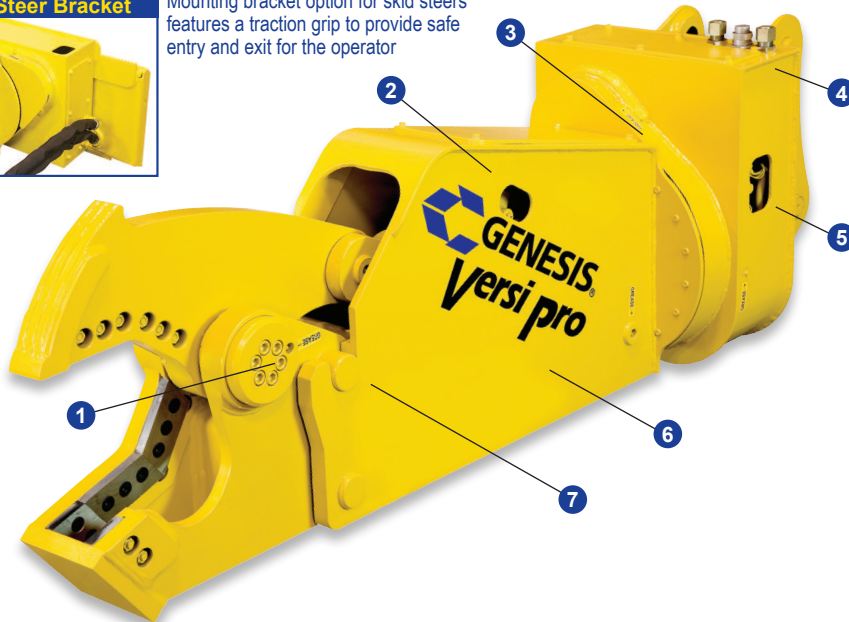
# Versi Pro 07 (GVP 07)

## FEATURES

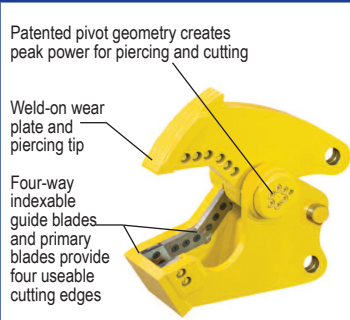
- 1 Each jaw's pivot group stays intact, allowing the use of a press-fit pin design for a stronger, more durable product and making jaw change-outs safe, easy and fast
- 2 Built with Strenx™ steel for the best combination of structural strength and wear durability
- 3 360° rotation comes standard with every Versi Pro
- 4 The innovative bracket system accommodates a skid steer quick plate or a mini excavator lug plate change-over in 10 minutes
- 5 Electric over hydraulic system allows for jaw open or close and rotation with one hydraulic circuit
- 6 Proprietary regeneration valve improves cycle time by up to 33% compared to standard hydraulic systems
- 7 Jaw change-outs in 10 minutes with the coupler-style connection system



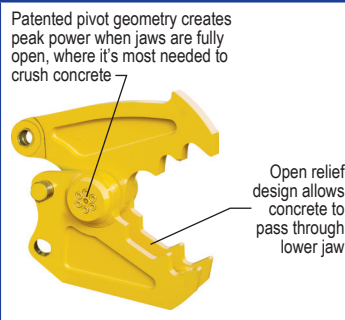
**Skid Steer Bracket**  
Mounting bracket option for skid steers features a traction grip to provide safe entry and exit for the operator



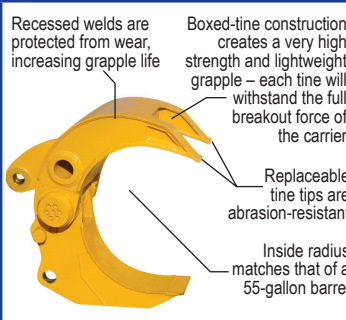
### Shear Jaws



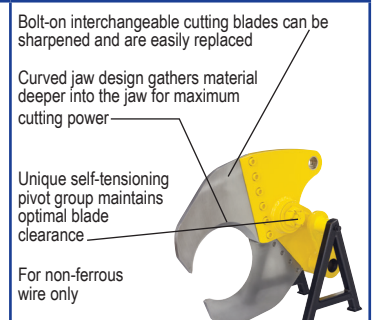
### Cracker Jaws



### Grapple Jaws



### Wire Cutter Jaws



## Metric Specs:

Model	Weight*	Jaw Opening	Jaw Depth	Reach**	Minimum Excavator Wt.		Minimum Skid Steer Wt.
					Boom Mount	Stick Mount	
	(kg)	(mm)	(mm)	w/Jaws Installed (mm)	(mt)	(mt)	(mt)
Shear Jaws	624	292	292	1,676	5	7	3
Cracker Jaws	628	368	330	1,727	5	7	3
Grapple Jaws	644	813	394	1,803	5	7	3
Wire Cutter Jaws	565	267	292	1,753	5	7	3

\*Weight includes mounting bracket to attach to excavator.

\*\*Distance is measured from the attachment mounting pivot (boom or stick) forward.

The stability of each lift class varies between OEM skid steer and mini excavator models. Please consult with your Genesis salesperson for recommended carrier models. Control packages are available for carriers less equipped.

Strenx™ is a trademark of SSAB.

Patents: [genesisattachments.com/patents](http://genesisattachments.com/patents)



1000 Genesis Drive, Superior, WI 54880

888-SHEAR-IT (743-2748) – Tel: 715.395.5252 – [genesisattachments.com](http://genesisattachments.com)