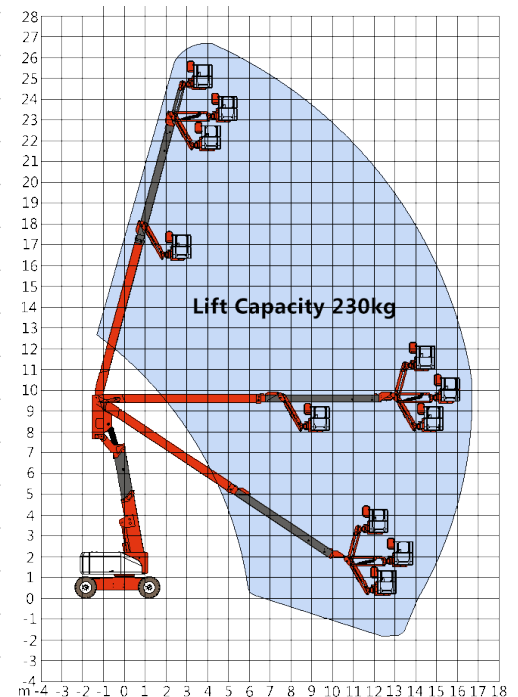
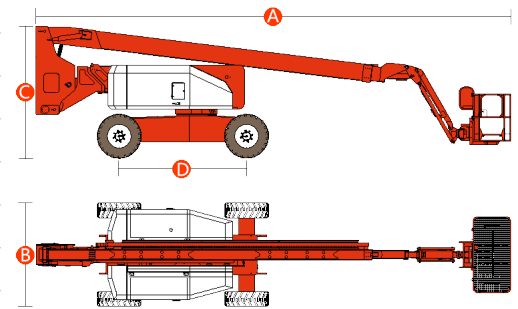


Specifications

Models	GTZZ25J	
Dimensions	Metric	US
Platform height max.	24.6 m	81 ft
Working height max.*	26.6 m	87 ft
Horizontal reach max.	16.1 m	52 ft 8 in
Up and over clearance max.	9.4 m	30 ft 8 in
A Length - stowed	11.36 m	37 ft 3 in
B Width - stowed	2.48 m	8 ft 1 in
C Height - stowed	3.16 m	10 ft 4 in
D Wheelbase	3.05 m	10 ft
Ground clearance	0.39 m	1 ft 3 in
Platform size(L*W*H)	1.45 m* 0.85 m* 1.24 m	4 ft 8 in* 2 ft 8 in* 4 ft 1 in
Productivity		
Max. platform occupancy	2	2
Lift capacity	230 kg	507 lbs
Turntable rotation	360° continuous	360° continuous
Platform rotation	160°	160°
Drive speed - stowed	0~4.8 km/h	0~3.0 mph
Drive speed - raised	0~1.1 km/h	0~0.7 mph
Gradeability**	45%	45%
Turning radius - inside	3 m	9 ft 8 in
Turning radius - outside	6.33 m	20 ft 8 in
Turntable tailswing	1 m	3 ft 3 in
Max. allowable slope	3°	3°
Drive & steer model	4WD*2WS	4WD*2WS
Tire size / type	12.00 – 20 / 8.5 solid	12.00 – 20 / 8.5 solid
Power		
Power Source	Original Cummins Engine	Original Cummins Engine
Driving type	Hydraulic	Hydraulic
Fuel tank capacity	160 L	42.27 gal
Control voltage	12 VDC	12 VDC
Power	60 KW	60 KW
Weight***		
Overall weight	15900 kg	35053 lbs
Standards Compliance	CE/ ISO/ ADR/ ARAMCO	CE/ ISO/ ADR/ ARAMCO



* The metric equivalent of working height adds 2 m to platform height. U.S. adds 6 ft to platform height.

** Gradeability applies to driving on slopes.

*** Weight will vary depending on options and/or country standards.

Hunan Sinoboom Heavy Industry Co., Ltd.

Address: No.128, East Jinzhou Avenue, Jinzhou New District, Changsha, Hunan, China

Tel: +0086-731-87116222 Email: sales@sinoboom.com

Website: www.sinoboom.com