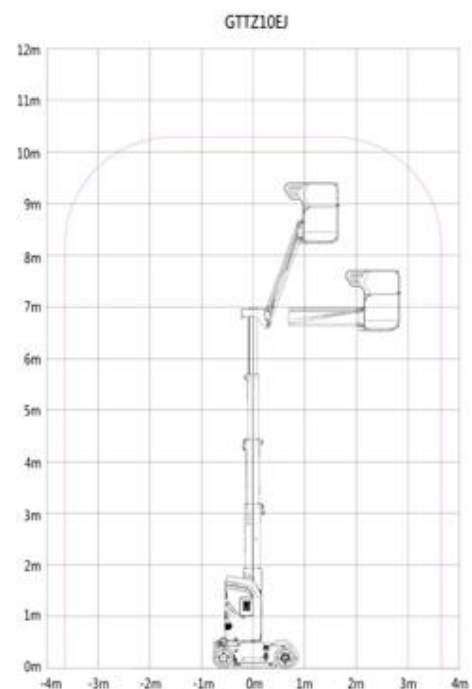


Model	GTTZ10EJ
Specification	
Max.Platform Height	8.3m
Max.Platform Height	10.3m
Max.Horizontal Reach	3.3m
Turntable Rotation	345°
Length-Stowed	2.77m
Width-Stowed	0.99m
Height-Stowed	1.99m
Wheel Base	1.2m
Ground Clearance	0.2m
Platform Dimensions	0.99mx0.78mx1.1m
Dimensions	
Max.Platform Occupancy-Indoor	2 人
Max.Platform Occupancy-Outdoor	1 人
Lift Capacity	200Kg
Drive Speed-Stowed	0~5km/h
Drive Speed-Raised	0~0.6km/h
Allowable Working Slope(Longitudinal/lateral)	3°/1.5°
Allowable Wind Speed	12.5m/s
Allowable Lateral Force	400N/200N
Gradeability	25%
Turning Radius-Inside/Outside	0m/1.55m
Tires Type	406x127mm/solid
Power	
Battery	6Vx4/240Ah
Power Source	24V DC , 3 kW
Control Voltage	24 VDC
Drive Mode	2WD, rear-wheel
Charging Voltage	85~265V AC
Charging Current	30A
Hydraulic Pressure	15Mpa
Hydraulic System Capacity	13L
Weight	
Total Weight	2678kg
ISO/CE/AS/ CU-TR/KCS	
Standards Compliance	



* The metric equivalent of working height adds 2 m to platform height. U.S. adds 6 ft to platform height.

** Gradeability applies to driving on slopes.

*** Weight will vary depending on options and/or country standards.

Hunan Sinoboom Heavy Industry Co., Ltd.

Address: No.128, East Jinzhou Avenue, Ningxiang High-tech industrial park, Changsha, Hunan, China

Tel: +0086-731-87116222

Email: sales@sinoboom.com

Website: www.sinoboom.com