

# RANGER

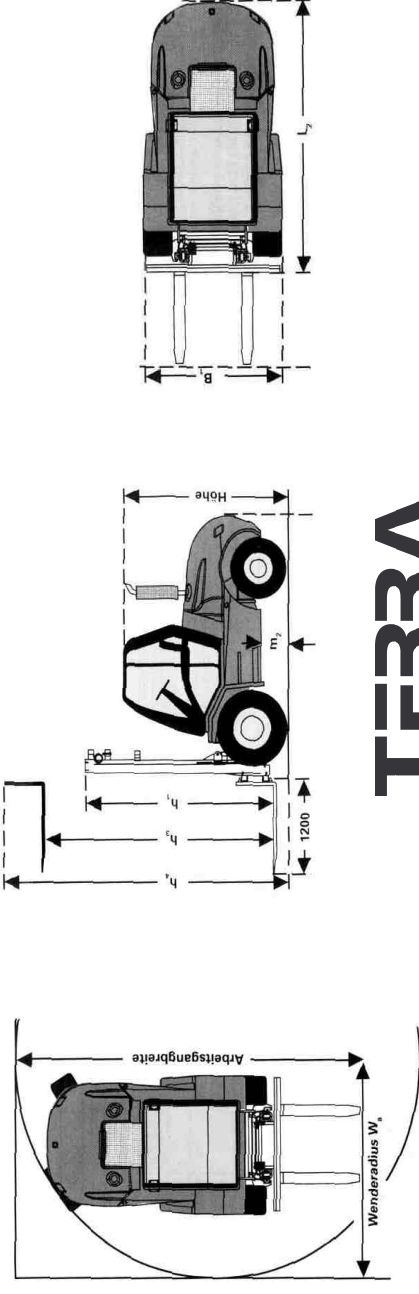
## MANUFACTURER DETAILS, FEATURES and OPTIONS

1	manufacturer	(shortcut)	TERRA	TERRA	TERRA	TERRA	TERRA	TERRA	TERRA
2	manufacturer's model description		G 40/2 HK	G 50/2 H	G 60/2 H	G 40/4H	G 50/4H	G 60/4 H	
3	load capacity	Q	4	5	6	4	5	6	
4	load center	c	500	600	600	600	600	600	
5	power supply	kind of fuel	diesel						
6	steering type	driver seat controlled	fully hydraulic						
7	type of tyres	front/rear	pneumatic / pneumatic						
8	wheels	number front/rear (X = driven)	2X / 2		2X / 2X				
9	lift	h3	3 600	3 600	3 600	3 600	3 600	3 600	3 600
10	lift	h2	100	100	100	100	100	100	100
11	carriage		FEM 3 B	FEM 4 B	FEM 4 B	FEM 3B	FEM 4B	FEM 4 B	FEM 4 B
12	fork dimensions	L x B x D	1 200x150x50	1 200x150x50	1 200x150x60	1 200x150x50	1200x150x60	1 200x150x60	1 200x150x60
13	tilt angle	forward/backward	14°/12°	14°/12°	14°/12°	14°/12°	14°/12°	14°/11°	12°/11°
14	overall length to fork face	L	3 485	3 685	3 780	3 685	3 685	3 685	3 930
15	overall width	B	2 000	2 100	2 210	2 180	2 180	2 210	2 210
16	height, mast fully lowered	h1	2 730	2 730	2 800	2 730	2 730	2 800	2 800
17	height, mast fully extended	h4	4 600	4 600	4 700	4 600	4 600	4 700	4 700
18	height overhead guard	h6	2 740	2 740	2 780	2 740	2 740	2 780	2 780
19	turning radius	Wa = outer	3 100	3 300	3 650	4 600	4 600	4 250	4 250
20	right angle stacking	x	726	740	880	740	740	920	920
21	asle	pallet 800 x 1 200 deep	5 275	5 475	5 825	5 475	5 475	5 475	6 500
22	driving speed with/without load		20	20	17/20	20	20	20	16/20
23	lifting speed with/without load		0,45/0,50	0,43/0,50	0,23/0,36	0,43/0,50	0,43/0,50	0,23/0,36	0,23/0,36
24	lowering speed with/without load		0,45/0,38	0,48/0,38	0,42/0,4	0,48/0,38	0,48/0,38	0,42/0,4	0,42/0,4
25	gradeability	with/without load	29/35	28/35	28/35	28/35	32/40	32/40	29/40
26	truck weight	without load	7 520	8 850	10 170	8 890	9 240	9 240	10 310
27	axle load	without load front/rear	3 234 / 4 286	4 050 / 4 800	4 710 / 5 460	4 750 / 4 140	4 750 / 4 490	4 750 / 4 490	4 060 / 6 250
28	number front/rear		2/2	2/2	2/2	2/2	2/2	2/2	2/2
29	tyres	size front	1670 x 20	1670 x 20	18-19,5 16 PR	405/70-20	405/70-20	405/70-20	18-19,5 16 PR
30	tyres	size rear	11,5/80 x 15,3*	11,5/80 x 15,3*	265/70 R 19,5	12-16.5	12-16.5	12-16.5	14-17,5 14 PR
31	wheelbase	y	2 000	2 200	2 200	2 200	2 200	2 200	2 230
32	tread	tyre centre front/rear	1470/1570	1470/1570	1740/1510	1740/1410	1740/1410	1740/1410	1740/1 680
33	ground clearance	m1 at deepest point	260	260	280 - 310	260	260	260	280
34	service break	m2 center wheelbase	380	380	400	380	380	380	380
35	parking break		hydraulic, power assisted						
36	parking break		hydraulic						
37	battery	voltage/size	12/110						
38	manufacturer/model		Perkins 1104C-44		Perkins 1104C-44T		Deutz BF4M 2012		
39	rated power acc. to DIN 70020	kw(hp)	63(86)		74.5 (101)		74.5 (101)		
40	rated engine revolutions	rpm	2 200		2 200		2 200		
41	no. of cylinders/ displacement		4/4400		4 (4000)		4 (4000)		
42	gear shift	type/steps	load-dependent, automatic						
43	transmission	type/steps	hydrostatic / 2 automatic						
44	working pressure	bar	180						
45	sound level	average at driver's ear	78	79	78	78	78	78	79

Technical specifications subject to change

Version 08/2006

\* alternatively 265/70R19.5



# TERRA