

FM-X SE Technical Data Driver Seated Reach Truck with Superelastic Tyres

FM-X 14 SE

FM-X 17 SE

FM-X 20 SE



FM-X SE Driver Seated Reach Truck with Superelastic Tyres

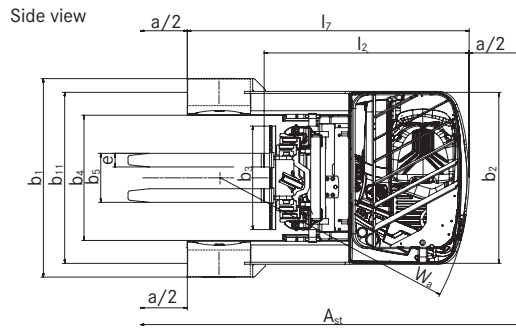
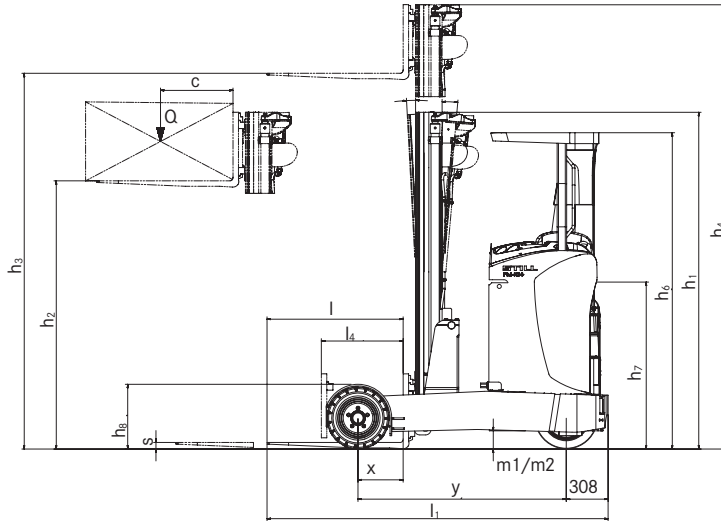
This specification sheet, which conforms to VDI guideline 2198, provides the technical values for the standard equipment only. Different tyres, other masts, the use of accessories, etc., may result in other values.



	Distinguishing marks			STILL	STILL	STILL		
				FM-X 14 SE	FM-X 17 SE	FM-X 20 SE		
Distinguishing marks	1.1	Manufacturer						
	1.2	Manufacturer's type designation						
	1.3	Drive		Electric	Electric	Electric		
	1.4	Operator type		Seated	Seated	Seated		
	1.5	Rated capacity/rated load	Q	kg	1400	1700	2000	
	1.6	Load capacity at load centre distance	c	mm	600	600	600	
	1.8	Load centre distance	x	mm	310	310	388	
	1.9	Wheel base	y	mm	1380	1380	1530	
	Weights	2.1	Service weight (incl. battery)		kg	3290	3310	3440
3.1		Tyres			Cushion/ superelastic	Cushion/ superelastic	Cushion/ superelastic	
Tyres/chassis	3.2	Tyre size	drive end	mm	∅ 457 x 203	∅ 457 x 203	∅ 457 x 203	
	3.3	Tyre size	load end	mm	∅ 454 x 160	∅ 454 x 160	∅ 450 x 195	
	3.5	Number of wheels (x = driven)	drive end/load end		1x/2	1x/2	1x/2	
Dimensions	3.7	Tread	load end	b ₁₁	mm	1210	1210	1256
	4.1	Tilt of mast/fork carriage	forward/backward	α/β	°	1/3	1/3	1/3
	4.2	Height	mast lowered	h ₁	mm	2275	2275	2275
	4.3	Free lift		h ₂	mm	1640	1630	1630
	4.4	Lift		h ₃	mm	5000	5000	4830
	4.5	Height	mast extended	h ₄	mm	5635	5645	5475
	4.7	Height of overhead guard ¹		h ₆	mm	2324	2324	2324
	4.8	Seat height		h ₇	mm	1264	1264	1264
	4.10	Height of wheel arms		h ₈	mm	473	473	473
	4.19	Overall length		l ₁	mm	2528	2528	2600
	4.20	Length to face of forks		l ₂	mm	1378	1378	1450
	4.21	Overall width		b ₁ /b ₂	mm	1398/1260	1398/1260	1458/1260
	4.22	Fork dimensions	DIN ISO 2331	s/e/l	mm	40/100/1150	40/100/1150	40/100/1150
	4.23	Fork carriage ISO 2328, class/type A, B				2/B	2/B	2/B
	4.24	Fork carriage width		b ₃	mm	760	760	760
	4.25	Distance between fork arms	min./max.	b ₅	mm	316/620	316/620	316/620
	4.26	Distance between wheel arms/loading surfaces		b ₄	mm	920	920	920
	4.28	Reach distance		l ₄	mm	573	573	651
	4.31	Ground clearance, laden, below mast		m ₁	mm	144	144	144
	4.32	Ground clearance, centre of wheel base		m ₂	mm	144	144	144
	4.34.1	Aisle width for pallets 1000 x 1200 crossways		A _{st}	mm	2806	2806	2896
	4.34.2	Aisle width for pallets 800 x 1200 lengthways		A _{st}	mm	2867	2867	2944
	4.35	Turning radius		W _a	mm	1691	1691	1838
	4.37	Length across wheel arms		l ₇	mm	1920	1920	2070
	4.43	Step height			mm	258	258	258
	Performance data	5.1	Travel speed	laden/unladen	km/h	14/14	14/14	14/14
		5.1.1	Travel speed, backwards	laden/unladen	km/h	14/14	14/14	14/14
5.2		Lift speed	laden/unladen	m/s	0.45/0.68	0.45/0.68	0.37/0.58	
5.3		Lowering speed	laden/unladen	m/s	0.56/0.52	0.55/0.52	0.53/0.50	
5.4		Reaching speed	laden/unladen	m/s	0.18/0.18	0.18/0.18	0.18/0.18	
5.7		Gradeability	laden/unladen	%	4.5/8.2	4.5/8.2	4.5/8.2	
5.8		Max. gradeability	laden/unladen	%	10/10	10/10	10/10	
5.10		Service brake				Regenerative- electric/ hydraulic	Regenerative- electric/ hydraulic	Regenerative- electric/ hydraulic
Electric engine	6.1	Drive motor rating S2 = 60 min		kW	6.5	6.5	6.5	
	6.2	Lift motor rating S3 = 15%		kW	14	14	14	
	6.3	Battery according to DIN 43531/35/36 A, B, C, no			43531C/254-2	43531C/254-2	43531C/254-2	
	6.4	Battery voltage/nominal capacity K _S		V/Ah	48/560	48/560	48/700	
	6.5	Battery weight (depending on manufacturer ±5%)		kg	940	940	1120	
Misc.	10.1	Operating pressure for attachments		bar	200	200	200	
	10.2	Oil volume for attachments		ℓ/min	20	20	20	
	10.7	Sound pressure level L _{pAZ} , at driver's seat		dB (A)	69	69	69	

¹ With the option cabin/wind protection, height h₆ is 2304 mm

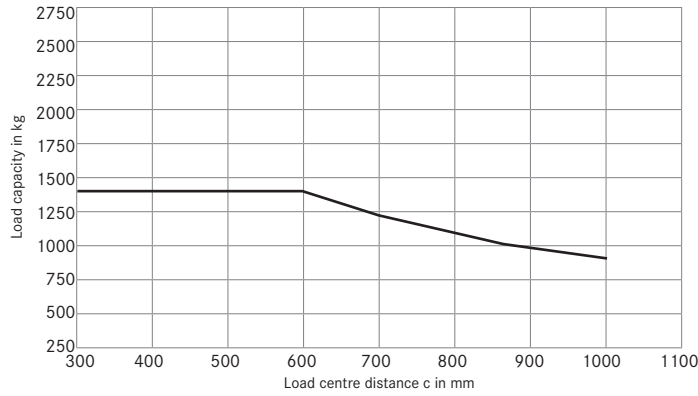
FM-X SE Driver Seated Reach Truck with Superelastic Tyres
 Technical Drawings



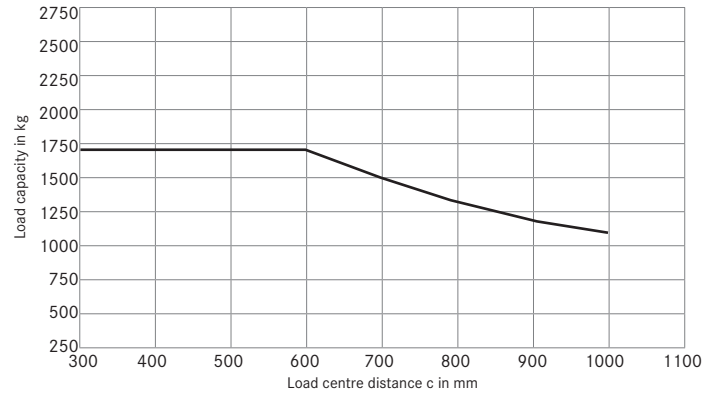
Top view

Basic Load Capacities

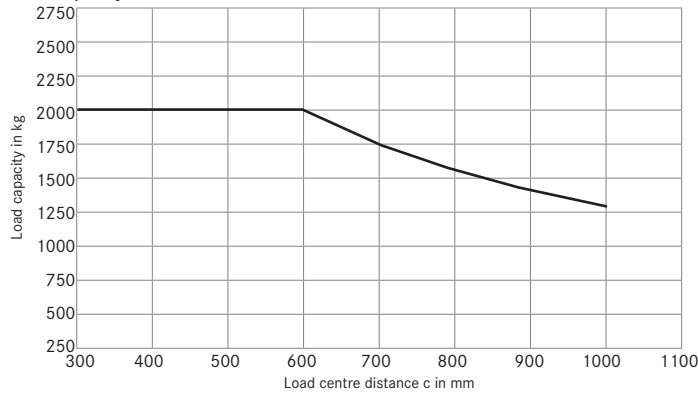
Load capacity FM-X 14 SE



Load capacity FM-X 17 SE



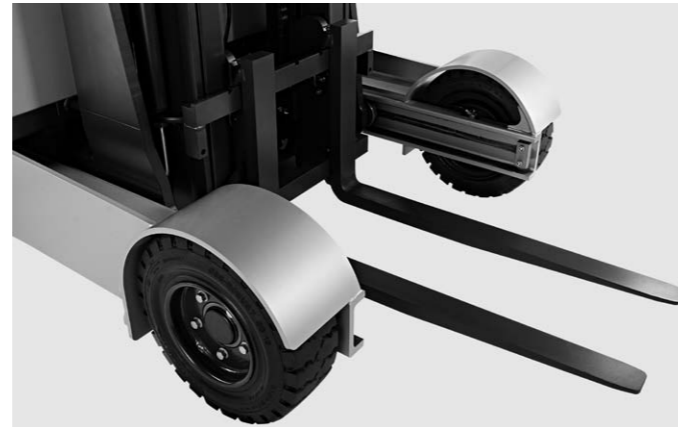
Load capacity FM-X 20 SE



FM-X SE Driver Seated Reach Truck with Superelastic Tyres
Detailed Photos



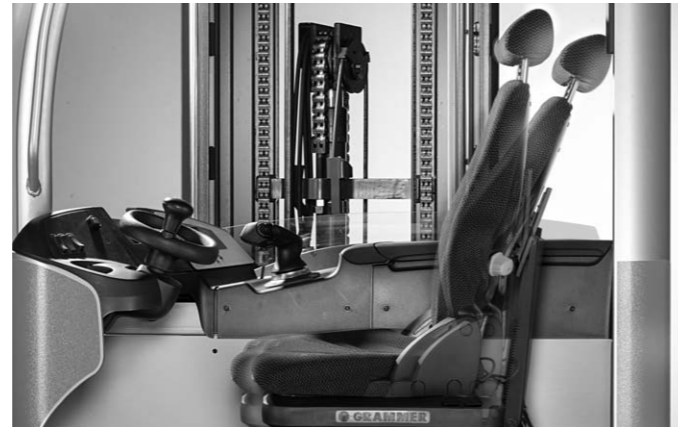
Optimal panoramic view



Superelastic tyres with wheel protection for more security



Safe entry thanks to additional step



Comfortable reclining seat for an optimal view upwards

FM-X SE Driver Seated Reach Truck with Superelastic Tyres
Detailed Photos



Individually adaptable workstation



Ergonomic and sensitive handling thanks to Joystick 4Plus



Alternative operation concept: Fingertip

Mast Tables

				Tele Mast												
FM-X 14 SE	Height, mast lowered	h ₁	mm	2125	2225	2375	2475	2575	2675	2875	3075	3175				
	Free lift	h ₂	mm	-	-	-	-	-	-	-	-	-				
	Lift	h ₃	mm	2920	3120	3420	3620	3820	4020	4420	4820	5020				
	Height, mast extended	h ₄	mm	3555	3755	4055	4255	4455	4655	5055	5455	5655				
	Tilt of mast forward/backward	α/β	°	1.0/3.0	1.0/3.0	1.0/3.0	1.0/3.0	1.0/3.0	0.5/2.0	0.5/2.0	0.5/2.0	0.5/2.0				

				Triplex Mast															
FM-X 14 SE	Height, mast lowered	h ₁	mm	2025	2090	2125	2275	2325	2375	2475	2525	2575	2675	2775	2875	2975	3075	3175	3275
	Free lift	h ₂	mm	1390	1455	1490	1640	1690	1740	1840	1890	1940	2040	2140	2240	2340	2440	2540	2640
	Lift	h ₃	mm	4250	4440	4550	5000	5150	5300	5600	5750	5900	6200	6500	6800	7100	7400	7700	8000
	Height, mast extended	h ₄	mm	4885	5075	5185	5635	5785	5935	6235	6385	6535	6835	7135	7435	7735	8035	8335	8635
	Tilt of mast forward/backward	α/β	°	1.0/3.0	1.0/3.0	1.0/3.0	1.0/3.0	1.0/3.0	1.0/3.0	1.0/3.0	1.0/3.0	1.0/3.0	0.5/2.0	0.5/2.0	0.5/2.0	0.5/2.0	0.5/2.0	0.5/2.0	0.5/2.0

				Tele Mast												
FM-X 17 SE	Height, mast lowered	h ₁	mm	2125	2225	2375	2475	2575	2675	2875	3075	3175				
	Free lift	h ₂	mm	-	-	-	-	-	-	-	-	-				
	Lift	h ₃	mm	2920	3120	3420	3620	3820	4020	4420	4820	5020				
	Height, mast extended	h ₄	mm	3555	3755	4055	4255	4455	4655	5055	5455	5655				
	Tilt of mast forward/backward	α/β	°	1.0/3.0	1.0/3.0	1.0/3.0	1.0/3.0	1.0/3.0	0.5/2.0	0.5/2.0	0.5/2.0	0.5/2.0				

				Triplex Mast															
FM-X 17 SE	Height, mast lowered	h ₁	mm	2025	2090	2125	2275	2325	2375	2475	2525	2575	2675	2775	2875	2975	3075	3175	3275
	Free lift	h ₂	mm	1380	1455	1480	1630	1680	1730	1830	1880	1930	2030	2130	2230	2330	2430	2530	2630
	Lift	h ₃	mm	4250	4440	4550	5000	5150	5300	5600	5750	5900	6200	6500	6800	7100	7400	7700	8000
	Height, mast extended	h ₄	mm	4895	5085	5195	5645	5785	5945	6245	6395	6545	6845	7145	7445	7745	8045	8345	8645
	Tilt of mast forward/backward	α/β	°	1.0/3.0	1.0/3.0	1.0/3.0	1.0/3.0	1.0/3.0	1.0/3.0	1.0/3.0	1.0/3.0	1.0/3.0	0.5/2.0	0.5/2.0	0.5/2.0	0.5/2.0	0.5/2.0	0.5/2.0	0.5/2.0

				Triplex Mast															
FM-X 20 SE	Height, mast lowered	h ₁	mm	2025	2090	2125	2275	2325	2375	2475	2525	2575	2675	2775	2875	2975	3075	3175	3275
	Free lift	h ₂	mm	1380	1455	1480	1630	1680	1730	1830	1880	1930	2030	2130	2230	2330	2430	2530	2630
	Lift	h ₃	mm	4080	4270	4380	4830	4980	5130	5430	5580	5730	6030	6330	6630	6930	7200	7500	7800
	Height, mast extended	h ₄	mm	4725	4915	5025	5475	5625	5775	6075	6225	6375	6675	6975	7275	7575	7845	8145	8445
	Tilt of mast forward/backward	α/β	°	1.0/3.0	1.0/3.0	1.0/3.0	1.0/3.0	1.0/3.0	1.0/3.0	1.0/3.0	1.0/3.0	1.0/3.0	0.5/2.0	0.5/2.0	0.5/2.0	0.5/2.0	0.5/2.0	0.5/2.0	0.5/2.0

FM-X SE Driver Seated Reach Truck with Superelastic Tyres

For combined indoor and outdoor use thanks to superelastic tyres

Holistic ergonomics concept

Precise and exact hydraulic control with Fingertip operation or Joystick 4Plus



Thanks to its superelastic special tyres, the smart driver seated reach truck allows for optimum goods transport not only in the warehouse, but also outside!

Loads weighing up to two tonnes are quickly and reliably transported to the desired location by the FM-X SE at a maximum speed of 14 km/h. Once there, it lifts them to a height of up to eight metres. Due to the large cushioned tyres and the high level of ground clearance, the driver seated reach truck is also ideally suited to loading and unloading goods from outer shelves. Assistance systems such as the lift height pre-selection or the optional camera system make work easier for the driver, and ensure the utmost precision even with high lifting heights.

A free view fork carriage, a visually-optimised overhead guard and a driver's seat with optional tilting mechanics offer excellent visibility, no matter whether you choose a wind-protected or full cab. In addition, the FM-X SE is impressive thanks to its sophisticated safety concept. For example, the Curve Speed Control system automatically controls the driver's speed depending on the steering angle. With the FM-X SE, you can rely moving goods efficiently, precisely and safely at all times, both indoors and outdoors.

Extensive Equipment

Power

- Powerful acceleration combined with high travel speeds of 14 km/h and lifting speeds of up to 0.50 m/s
- Sufficient energy for any use, thanks to battery capacities of 560 Ah to 700 Ah
- The high level of ground clearance and optimum traction allow for individual use even on bumpy surfaces

Precision

- OPTISPEED reduces mast vibrations to a minimum for medium lifting heights and enables quick goods handling
- Great view of goods without being disrupted by hydraulic lines on the fork carriage, thanks to its unique sideshift mast

Ergonomics

- Cushioned drive wheel and superelastic tyres to reduce impact when driving over uneven surfaces
- Relaxed view upwards and beyond goods, thanks to unique comfortable reclining seat
- Easy to operate all functions without grasping, thanks to Joystick 4Plus or Fingertip operation
- Can even be used under extreme conditions, thanks to multiple cabin versions and superelastic tyres
- It's easy to pick goods up or put them away: lift height preselection system and camera system help ensure precise positioning

Compactness

- Suitable for even the most narrow working widths, thanks to the reach truck concept

Safety

- The large step and handle make it safe and easy to get in
- Robust steel chassis with secure contour guiding in areas that are hard to drive on
- Versatile, flexible access control with FleetManager 4.x
- Extremely safe to drive round bends with Curve Speed Control depending on steering angle

Environmental Responsibility

- Long-lasting and energy-saving LED headlights
- Blue-Q efficiency mode saves up to 10 per cent energy at the press of a button with no loss of performance
- Energy recovery when braking means you can use the machinery for longer with optimum use of resources

FM-X SE Driver Seated Reach Truck with Superelastic Tyres Equipment Variants



		FM-X SE 14	FM-X SE 17	FM-X SE 20
Driver's seat	Steering wheel and seat adjustment	●	●	●
	Comfortable seat with hydraulic damping and weight adjustment	●	●	●
	Comfortable reclining seat	○	○	○
	Heated driver's seat	○	○	○
	Leatherette driver's seat and vinyl cover	○	○	○
	Free view mast with visually-optimised overhead guard	●	●	●
	Joystick 4Plus operation (hydraulic control system without grasping)	●	●	●
	Fingertip controls (hydraulic control system with four individual levers)	○	○	○
	Five driver profiles, selected according to operator	●	●	●
	Integrated storage facilities, drink holder	●	●	●
	Display: clear display of active operating states	●	●	●
	Fully electric 360° steering	●	●	●
Steering	Fully electric 180° steering	○	○	○
	Fully electric steering with reverse function	○	○	○
	Redundant steering safety system	●	●	●
Mast	Triple free view mast with free lift	●	●	●
	Telescopic free view mast	○	○	○
	Hydraulic mast for lateral shifting with mast tilt	●	●	●
	Mast reach damping system	●	●	●
Hydraulics	Free view fork carriage	●	●	●
	Noise-optimised hydraulic pump	●	●	●
	Ancillary hydraulics, onefold or twofold	○	○	○
	Proportional valve technology for sensitive movements	●	●	●
	Individual parametrisation options for hydraulic functions	●	●	●
Drives	Multiple hydraulic movements can be controlled simultaneously	●	●	●
	Smooth, continuous acceleration to maximum speed	●	●	●
	Maintenance-free drives for driving, steering and lifting	●	●	●
	Fully enclosed component which is impervious to dirt and dust	●	●	●
Brake	Integral current and temperature sensors for function monitoring	●	●	●
	Generator braking system	●	●	●
	Energy recovery when braking	●	●	●
	Hydraulic impeller brake as additional brake	●	●	●
Safety and performance	Electromagnetic disc brake as parking brake and emergency stop	●	●	●
	PIN code access, keyless, with button	○	○	○
	Indicator light	○	○	○
	Warning light	○	○	○
	Headlights	○	○	○
	Overhead guard with Makrolon or mesh grid	○	○	○
	Steering angle-dependent speed control	○	○	○
	Stroke shut-off for intermediate stroke and/or end stroke limiting	○	○	○
	Lift height display	○	○	○
	Lift height preselection system	○	○	○
	FleetManager: Access authorisation	○	○	○
	FleetManager: Shock detection	○	○	○
Battery system	FleetManager: Reports	○	○	○
	OPTISPEED: lift height and load-dependent speed regulation	○	○	○
	Audible driving warning signal (Digisound)	○	○	○
	Battery changing with crane	●	●	●
Additional equipment	Battery changing from the side with roller track	○	○	○
	Battery compartment for 560 Ah battery	●	●	○
	Battery compartment for 700 Ah battery	○	○	●
	Battery transport and changing frame	○	○	○
	Various fork lengths	○	○	○
Additional equipment	Preparation for data terminal	○	○	○
	Automatic fork tilt and sideshift centring at the press of a button	○	○	○
	Wind protection	○	○	○
	Full cab	○	○	○
	Load backrest	○	○	○
	Panoramic rear-view mirror	●	●	●
	Shift and lowering lock	○	○	○
	Prong camera system	○	○	○
Dual-pedal control	○	○	○	

● Standard ○ Option — Not available



STILL Materials Handling Ltd
Aston Way
Leyland Preston
PR26 7UX
Tel.: +44 (0)845 603 6827
Fax: +44 (0)1772 454668

STILL Materials Handling Ltd
19 Hennock Road
Marsh Barton Trading Estate
Exeter
EX2 8RU
Tel.: +44 (0)1392 435151
Fax: +44 (0)1392 824328
info@still.co.uk

For further information please visit:
www.still.co.uk



STILL is certified in the following areas: Quality management, occupational safety, environmental protection and energy management.

