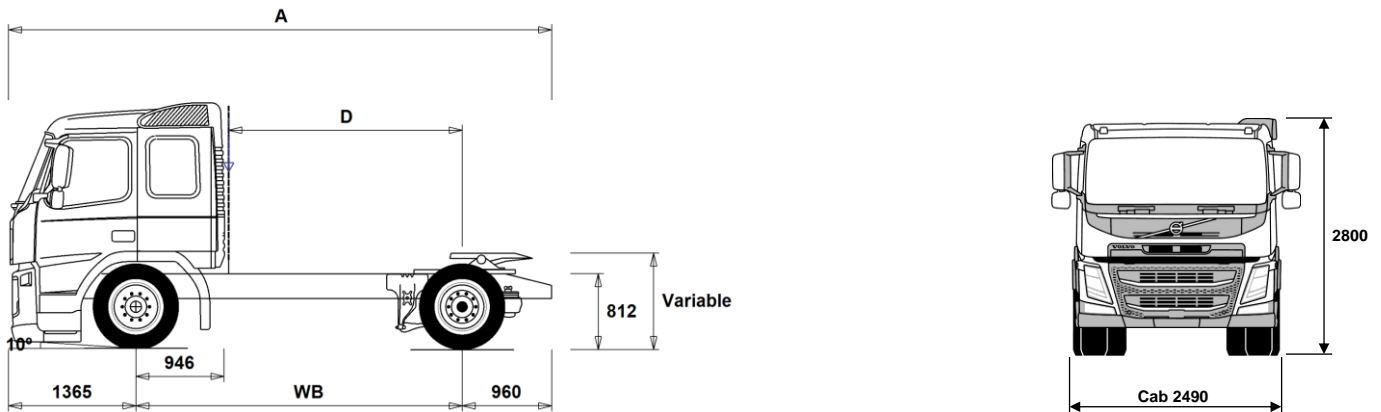


MODEL RANGE



Volvo Trucks. Driving Progress

FM 13 4x2 Tractor - X-Low - Full Air Suspension FM 42 T3XA



Chassis Dimensions [mm]

WB Wheelbase	3500	3600	3800
A Overall Chassis Length	5825	5925	6125
D Center of rear axle to back of cab	2504	2604	2804
F Fifth Wheel Position (EC Directive 96/53)	375	375	375

Chassis Weights [kg]

Front Axle	4565	4560	4565
Rear Axle	1885	1885	1900
Kerb Weight	6450	6445	6465

Turning Diameter [mm]

Turning Circle Diameter Kerb to Kerb	12700	13000	13600
Turning Circle Diameter Wall to Wall	14200	14500	15100

Plated Weights [kg]

	Plated	Design
Gross Vehicle Weight	18000	18600
Gross Combination Weight	40000	44000
Front Axle	6700	7100
Rear Axle	11500	11500

Important Notes

Chassis Dimensions

Cab Height: +416 mm for CAB-HSLP, -169 mm for CAB-LSLP, +554 mm for CAB-XHSL.

Front Axle to Back of Cab: -424 mm for CAB-DAY, -6 mm for CAB-LSLP.

D-measure includes a front clearance of 50 mm and for rigid trucks also a subframe of 100 mm.

Height can vary ± 20 mm for leaf and ± 10 mm for air suspension.

All dimensions are for unladen chassis and any tag axles down.

Weight and dimensions are based upon the following tyres:

Front Axle Tyres: 295/60R22.5

Drive Axle Tyres: 295/60R22.5

Chassis weight includes oil, water, AdBlue, 0 litres fuel and without driver. Kerb weight can vary $\pm 3\%$.

Turning diameters are theoretically calculated.

Legal weights can differ from country to country.

For more detailed weight information, including optional equipment weights, ask your Volvo sales contact to enter your specification into the Volvo Weight Information system (WIS).

Do NOT use this drawing for bodybuilding. Refer to Volvo Bodybuilder Instructions and chassis assembly drawing FM42T3XA.

MODEL RANGE

FM 13 4x2 Tractor - X-Low - Full Air Suspension FM 42 T3XA

TRUCK USE

- **RC-SMOOT** Operating class highway

CORE COMPONENTS

- **CHH-XLOW** Chassis frame height extra low - For a specific loading height always check the unique BEP chassis drawing
- **RAD-GR** Rear air suspension, 1 axle - 1 driven
- **FM-DAY** Day cab - with steel safety cage design
Designed and built to Swedish impact and ECE R29 regulations
- **FM-HSLP** Globetrotter cab - with steel safety cage design
Designed and built to Swedish impact and ECE R29 regulations
- **FM-LSLP** Low sleeper cab - with steel safety cage design
Designed and built to Swedish impact and ECE R29 regulations
- **FM-SLP** Sleeper cab - with steel safety cage design
Designed and built to Swedish impact and ECE R29 regulations
- **FM-XHSL** Globetrotter LXL cab - with steel safety cage design
Designed and built to Swedish impact and ECE R29 regulations
- **EU6SCR** Emission level - Euro 6
- **D13K420** D13K420 12.8l engine developing 420hp at 14-1800rpm.
Peak torque 2100Nm at 860 -1400rpm.
- **D13K460** D13K460 12.8l engine developing 460hp at 14-1800rpm.
Peak torque 2300Nm at 900-1400rpm.
- **D13K500** D13K500 12.8l engine developing 500hp at 14-1800rpm.
Peak torque 2500Nm at 1000-1400rpm.
- **EBR-EPG** Exhaust brake controlled by steering column switch
- **EBR-EPGC** Exhaust pressure governor for I shift gearbox
- **EBR-VEB+** Volvo engine brake + and exhaust pressure governor, enhanced performance from additional exhaust rocker control.
Retardation 375kW
- **AT2412F** AT2412F 12-speed "I-shift" automated mechanical gearbox suitable for gross train weights up to 44tonne only refer to sales engineering when used in conjunction with a PTO
- **AT2612F** AT2612F 12-speed "I-shift" automated mechanical gearbox suitable for gross train weights up to 60tonne only refer to sales engineering when used in conjunction with a PTO
- **SPO2812** SPO2812 - 12 speed I-shift Dual Clutch automated mechanical gearbox GCW 60tonne
- **RSS1144A** RS1144A single reduction 11.5t rear axle with differential lock - design GCW 44tonne
- **RSS1356** RSS1356 single reduction rear axle with differential lock - design GCW 56 tonne

PACKAGES

- **LHFP-VE** Long Haul Fuel Economy driving package
- **LHFP-VE+** NEW Long Haul Fuel+ product package
- **DRIVEFM** Driving package
- **DRIVEFM+** Driving plus package
- **BEDFM** One bed resting package
- **AUDHIG** High Power Audio system: RDS radio with CD player - also playing MP3/WMA files from CD -, with integrated bluetooth phone and USB/Line inputs. FM/AM antenna, speakers in dashboard, doors, and sleeping compartment.
- **MEDIA** AM/FM Bluetooth radio without CD player.
USB and Aux line inputs.
Speakers in dashboard, doors, and sleeping compartment.
7" touch screen with personal apps.
- **MEDIADF** AM/FM Bluetooth radio without CD player.
USB and Aux line inputs.
Speakers in dashboard, doors, and sleeping compartment.
7" touch screen with personal and professional apps.
Dynafleet vehicle on-board data display with office internet support.

- Standard Equipment
- Optional Equipment

For more detailed information about cab and powertrain equipment, please refer to separate specification sheets.

For all possible options and combinations of options please consult your Volvo sales contact who can create a specification to match your requirements using the Volvo Sales Support system (VSS).

The factory reserves the right to modify design and change equipment without previous notification.
The specification can vary from country to country.

- **MEDIANAV** AM/FM Bluetooth radio without CD player.
USB and Aux line inputs.
Speakers in dashboard, doors, and sleeping compartment.
7" touch screen with personal and professional apps.
Truck based satellite navigation (live updates not included)
 - **MEDIANDF** AM/FM Bluetooth radio without CD player.
USB and Aux line inputs.
Speakers in dashboard, doors, and sleeping compartment.
7" touch screen with personal and professional apps.
Truck based satellite navigation (live updates not included)
Dynafleet vehicle on-board data display with office internet support.
 - **VISI15** Visibility package
 - **VISI15+** Visibility plus package
 - **ASAF15** New Active safety package
- ### CHASSIS
- **FST-AIR** Front suspension type - air
 - **FAL7.1** Front axle design capacity 7.1 tonnes
 - **FAL7.5** Front axle design capacity 7.5 tonnes
 - **FSTAB** Front anti-roll bar
 - **RAL11.5** Rear axle design capacity 11.5 tonnes
 - **RSTAB3** Rear stiff anti-roll bar
 - **ASF-DL1** Air suspension with 1 driving level
 - **ASF-DL3** Air suspension with 3 driving levels
 - **ACTST-TO** Volvo Dynamic Steering (VDS) with with extra electronic pump and torque overlay
 - **ASFE-BAS** Active steering feature - Basic - Volvo Dynamic Steering only
 - **ASFE-OG** Active steering feature - Volvo Dynamic Steering with stability assist - oversteer
 - **ASFE-PO** Active steering feature - Volvo Dynamic Steering with personal settings and stability assist
 - **ASFE-PS** Active steering feature - Volvo Dynamic Steering with personal settings
 - **PSS-SING** Single power steering system
 - **PSP-FIX** Power steering pump with fixed displacement
 - **PSP-VAR** Power steering pump with variable displacement
 - **EBS-MED** EBS medium package including "hill" hold function
 - **AUXPARK** Additional spring parking brakes
 - **FRAME266** Frame rail section external height 266 mm
 - **FST7070** Frame thickness - web and flange 7.0mm
 - **FST8080** Frame thickness - web and flange 8.0mm
 - **BBOX-L** Battery box located on left hand side
 - **BATS-D** Dual energy battery system - 2 living batteries and 2 starter batteries.
 - **BATS-S** Single energy battery system (2 batteries)
 - **2BAT210B** 2 x 210 Ah capacity Gel batteries
 - **2BATT170** 2 x 170 Ah capacity batteries
 - **2BATT225** 2 x 225 Ah capacity batteries
 - **BATTAMP** Battery voltage and ampere gauge
 - **BATTIND** Battery charge indication
 - **ADR2** ADR package for transportation of dangerous goods on road (Note does NOT include safe loading pass package if required this is quoted separately)
 - **MSWI-A** Main switch - ADR switch circuit shut down
 - **MSWI-C** Main switch - Chassis mounted toggle switch by battery box
 - **MSWI-R** Main switch - Key fob operated remote controlled
 - **R315A56** Right aluminium 560 mm D-shaped fuel tank, 315 litres volume
Min volume 255l
Max volume 630l
 - **UL-FUEL** Without left fuel tank
Min volume 160l

MODEL RANGE

FM 13 4x2 Tractor - X-Low - Full Air Suspension FM 42 T3XA

	Max volume 505l		
<input type="checkbox"/> ADTP-BC	AdBlue tank behind/under cab on right hand side	<input type="checkbox"/> GYREC001	Good Year FUELMAX S/HL/D - Energy rating B or C depending on size
<input type="checkbox"/> ADTP-L	AdBlue tank on left hand side	<input type="checkbox"/> GYREC002	Good Year FUELMAX S/D - Energy rating B or C depending on size
<input checked="" type="checkbox"/> ADTP-R	AdBlue tank on right hand side	<input type="checkbox"/> MIREC003	Michelin X-LINE Energy - Fuel tyre Recommendation 3
<input checked="" type="checkbox"/> ADB048	AdBlue tank usable volume 48 litres	<input type="checkbox"/> SPWT-D	Spare wheel & tyre with rear tyre pattern
<input type="checkbox"/> ADB050	AdBlue tank usable volume 50 litres - under cab	<input type="checkbox"/> SPWT-F	Spare wheel & tyre with front tyre pattern
<input type="checkbox"/> ADB068	AdBlue tank usable volume 68 litres	<input type="checkbox"/> SWCP-T	Spare wheel supplied temporarily strapped to chassis
<input type="checkbox"/> ADTC-BF	AdBlue tank cover with satin alloy look decorative cover	<input type="checkbox"/> SWCP-TP	Temporary spare wheel carrier on top of chassis frame
<input checked="" type="checkbox"/> FCAP-L	Locking fuel filler cap	<input type="checkbox"/> JACK-12T	12 tonne bottle jack
<input checked="" type="checkbox"/> FUFF-AS	Fuel filling anti-spillage device	<input checked="" type="checkbox"/> TOOL-BAS	Basic Toolkit
<input type="checkbox"/> FUFF-ATS	Fuel filling anti-theft and anti-spillage devices	<input type="checkbox"/> TOOLKIT	Complete tool kit
<input type="checkbox"/> ESH-LEFT	Horizontal silencer, left exhaust outlet	<input type="checkbox"/> INFLAHOS	Tyre inflation hose
<input checked="" type="checkbox"/> ESH-REAR	Horizontal silencer, rear exhaust outlet	<input type="checkbox"/> GAUGE-TP	Tyre pressure gauge
<input type="checkbox"/> ESH-VERT	Horizontal silencer, vertical exhaust outlet	<input type="checkbox"/> OBDEP-C	Euro 6 Step C emission level
<input type="checkbox"/> EXST-SSP	Stainless steel exhaust stack - NOT polished	<input type="checkbox"/> OBDEP-D	Euro 6 Step D emission level
<input type="checkbox"/> WHC-FIX1	One fixed wheel chock	DRIVELINE EQUIPMENT	
<input type="checkbox"/> WHC-FIX2	Two fixed wheel chocks	<input type="checkbox"/> TRAP-HD	Reinforced gearbox application
<input type="checkbox"/> WHC-FOL1	One foldable wheel chock	<input type="checkbox"/> TP-CON	Construction Package
<input type="checkbox"/> WHC-FOL2	Two foldable wheel chocks	<input type="checkbox"/> TP-DIST	Distribution Package
<input type="checkbox"/> WHCP-F	Wheel chock(s) stored in the front part of the vehicle	<input type="checkbox"/> TP-LONG	Long Haul Package
<input type="checkbox"/> WHCP-M	Wheel chock(s) stored in the middle part of the vehicle	<input type="checkbox"/> AMSO-AUT	Enhanced I-shift software with manual shift available in auto mode and kickdown facility on accelerator pedal
<input type="checkbox"/> WHCP-T	Transport mounted wheel chock(s) stored in cab outer luggage locker	<input type="checkbox"/> AVO-ENH	Enhanced software for off road driveability and starting
<input type="checkbox"/> CHAIN-S	Snow chains	<input type="checkbox"/> APF-ENH	I-shift enhanced PTO functions
<input checked="" type="checkbox"/> TOWF-NO1	One front towing device	<input type="checkbox"/> CD43-O	Dual plate clutch, plate diameter 430 mm
<input type="checkbox"/> TOWF-NO2	Two front towing devices	<input checked="" type="checkbox"/> CS43B-O	Single plate 430mm (17") clutch
<input checked="" type="checkbox"/> RFEC-B	Rear frame end, bent down - standard for tractor vehicles	<input type="checkbox"/> RET-TH	Gearbox mounted retarder
<input type="checkbox"/> TREL15	Single 15 pole electrical trailer connector - ADR certified	<input type="checkbox"/> RET-TPT	Hydraulic Retarder for Powertronic gearbox
<input type="checkbox"/> TREL7	7 pole - 24N trailer electrical suzie	<input type="checkbox"/> TC-MAOH2	Extra high performance transmission oil cooler - air to oil with front mounted radiator
<input checked="" type="checkbox"/> TREL7-7	24N and 24S trailer electrical suzies	<input type="checkbox"/> TC-MWO	Basic transmission oil cooler - water to oil
<input type="checkbox"/> TBC-DUO	Duomatic type air line connectors	<input type="checkbox"/> TC-MWOH2	High performance transmission oil cooler - water to oil
<input type="checkbox"/> TBC-EC	Palm coupling type air line connectors	<input type="checkbox"/> 2COM1100	Two cylinder, air compressor, 1100 litres per minute
<input checked="" type="checkbox"/> TBC-GBR	'C' and 'CA' type air line connectors	<input checked="" type="checkbox"/> 2COMP900	Two cylinder, air compressor, 900 litres per minute
<input type="checkbox"/> TRBR-HCF	Full pressure hand controlled trailer brake	<input type="checkbox"/> CLU-AIRC	Clutchable air compressor
<input checked="" type="checkbox"/> TRBR-STA	Stationary trailer brake control	<input checked="" type="checkbox"/> AIRIN-HI	Roof mounted air intake behind cab on left hand side
<input type="checkbox"/> TRB-STRE	Stretch Brake - Automatic low speed trailer brake activation to avoid jack-knifing and improve steerability	<input type="checkbox"/> AIRIN-LO	Low level air intake behind cab on left hand side
<input checked="" type="checkbox"/> RFEND-B	Three piece EC approved rear mud wings and spray flaps	<input type="checkbox"/> ACL1ST-S	Two stage air filter
<input checked="" type="checkbox"/> RFH-BAS	Basic rear wing height	<input checked="" type="checkbox"/> 24AL110B	110 amp alternator
<input type="checkbox"/> RFH-HIG	High rear wing height - higher wing tops	<input type="checkbox"/> 24AL120B	120 amp alternator
<input type="checkbox"/> RFH-LOW	Lower rear wing height - shallower wing tops	<input type="checkbox"/> 24AL150B	150 amp alternator
<input type="checkbox"/> ATANK-AL	Aluminium air tanks	<input checked="" type="checkbox"/> CCV-C	Closed crankcase engine ventilation
<input checked="" type="checkbox"/> ATANK-ST	Steel air tanks	<input type="checkbox"/> CCV-O	Open crankcase engine breather
<input checked="" type="checkbox"/> TL-LED	LED Tail lights	<input type="checkbox"/> CCV-OX	Closed crankcase ventilation for cold markets
<input type="checkbox"/> BLIGHT-E	Emergency brake light	<input checked="" type="checkbox"/> PRIM-EL	Electrical priming pump
WHEELS & TYRES		<input type="checkbox"/> PRIM-MAN	Manual priming pump
<input type="checkbox"/> RT-AL	Alcoa brushed aluminium rims with standard holes for long stud fixing on all axles	<input type="checkbox"/> FUEQ-EH	Fuel line electric heater
<input type="checkbox"/> RT-ALDP	Alcoa Dura-Bright EVO aluminium rims with standard holes long stud fixing on all axles, requires cleaning with a ph neutral solution - washing up liquid.	<input type="checkbox"/> AF-R	Hot fuel recirculation heated fuel filter
<input type="checkbox"/> RT-ALDPD	Alcoa Dura-Bright EVO aluminium rims with countersunk holes for short stud fixing on all axles, requires cleaning with a ph neutral solution - washing up liquid.	<input type="checkbox"/> FUEFE2LW	Large engine mounted dual fuel filter with water separator
<input type="checkbox"/> RT-ALDU	Alcoa brushed aluminium rims with countersunk holes for short stud fixing on all axles	<input checked="" type="checkbox"/> FUEFE2SW	Small engine mounted dual fuel filter with water separator
<input checked="" type="checkbox"/> RT-STEEL	Steel rims on all axles	<input type="checkbox"/> EST-AID	Air inlet manifold starting heater element
<input type="checkbox"/> WCAP	Aerodynamic hub caps	<input type="checkbox"/> 220EBH15	220V/1.5Kw electric engine block heater
<input type="checkbox"/> BRREC001	Bridgestone ECOPIA H - Energy rating C	<input type="checkbox"/> PTER-100	Rear engine mounted power-take-off with DIN 100 / ISO 7646 flange
<input type="checkbox"/> COREC002	Continental ECOPLUS HS3/HD3 - Energy rating B or C depending on size	<input type="checkbox"/> PTER-DIN	Rear engine mounted PTO with DIN5462 (female) splined shaft for a close coupled pump. Models with 3 steering axles will use this to drive the steering

Standard Equipment

Optional Equipment

For more detailed information about cab and powertrain equipment, please refer to separate specification sheets.

For all possible options and combinations of options please consult your Volvo sales contact who can create a specification to match your requirements using the Volvo Sales Support system (VSS).

The factory reserves the right to modify design and change equipment without previous notification. The specification can vary from country to country.

MODEL RANGE

FM 13 4x2 Tractor - X-Low - Full Air Suspension FM 42 T3XA

- | | |
|---|---|
| <ul style="list-style-type: none"> <input type="checkbox"/> PTER1400 pump (AUXPSP)
Rear engine mounted power-take-off with SAE 1410 flange <input type="checkbox"/> HPE-F101 Parker F1-101, engine mounted, fixed displacement, single flow, engine mounted hydraulic pump <input type="checkbox"/> HPE-F41 Parker F1-41, engine mounted, fixed displacement, single flow, engine mounted hydraulic pump <input type="checkbox"/> HPE-F51 Parker F1-51, engine mounted, fixed displacement, single flow, engine mounted hydraulic pump <input type="checkbox"/> HPE-F61 Parker F1-61, engine mounted, fixed displacement, single flow, engine mounted hydraulic pump <input type="checkbox"/> HPE-F81 Parker F1-81, engine mounted, fixed displacement, single flow, engine mounted hydraulic pump <input type="checkbox"/> HPE-T53 Parker F2-53/53, engine mounted, Fixed displacement, Twin flow engine mounted hydraulic pump <input type="checkbox"/> HPE-T70 Parker F2-70/35, engine mounted, Fixed displacement, Twin flow engine mounted hydraulic pump <input type="checkbox"/> HPE-V45 Parker VP1-45, variable displacement, single flow, engine mounted hydraulic pump <input type="checkbox"/> HPE-V75 Parker VP1-75, variable displacement, single flow, engine mounted hydraulic pump <input type="checkbox"/> PTR-D Gearbox PTO for plug-in pump, 0.71xeng speed <input type="checkbox"/> PTR-DH Gearbox driven high speed PTO for one plug-in hydraulic pump <input type="checkbox"/> PTR-DM Gearbox driven medium speed PTO for one plug-in hydraulic pump <input type="checkbox"/> PTR-F Gearbox driven PTO with rear flange connection <input type="checkbox"/> PTR-FH Gearbox driven high speed PTO with SAE drive flange <input type="checkbox"/> PTR-FL Gearbox driven low speed PTO with SAE drive flange <input type="checkbox"/> PTRD-D Gearbox driven HIGH SPEED PTO for two plug-in hydraulic pumps <input type="checkbox"/> PTRD-D1 PTRD-D1 Gearbox driven HIGH SPEED PTO (1 SAE flange & 1 plug-in hydraulic pump) <input type="checkbox"/> PTRD-D2 Gearbox driven HIGH SPEED PTO (2 SAE flanges & 1 plug-in hyd pump) <input type="checkbox"/> PTRD-F PTO with 1 DIN + 1 flange connection rear, manual gearbox <input type="checkbox"/> HPG-F101 Parker F1-101 gearbox mounted, fixed displacement, single flow, hydraulic pump <input type="checkbox"/> HPG-F41 Parker F1-41 gearbox mounted, fixed displacement, single flow, hydraulic pump <input type="checkbox"/> HPG-F51 Parker F1-51 gearbox mounted, fixed displacement, single flow, hydraulic pump <input type="checkbox"/> HPG-F61 Parker F1-61 gearbox mounted, fixed displacement, single flow, hydraulic pump <input type="checkbox"/> HPG-F81 Parker F1-81 gearbox mounted, fixed displacement, single flow, hydraulic pump <input type="checkbox"/> EIDLESD Engine idle shut down <input type="checkbox"/> DTRI-PER Dashboard in darker peregrine greyish brown. Steering wheel grey and door panels in light beige for FH and black for FH16. <input type="checkbox"/> STWPOS-L LEFT HAND DRIVE <input checked="" type="checkbox"/> STWPOS-R RIGHT HAND DRIVE <input type="checkbox"/> STWM-LE Leather steering wheel <input type="checkbox"/> STGW-AD2 Adjustable steering wheel with neck tilt <input checked="" type="checkbox"/> STGW-ADJ Adjustable steering wheel <input checked="" type="checkbox"/> AIRBAG SRS Driver's air bag <input checked="" type="checkbox"/> DRC-AMII DPF Regeneration control switch - for manual and switching off regeneration <input type="checkbox"/> 1DAYDIG Continental VDO DTCO 3.0 digital tachograph
This tachograph can ONLY offer remote download if the option of Dynafleet or an FMS gateway has been specified with this order. <input checked="" type="checkbox"/> 1DAYDIG2 Continental VDO DTCO 4.0 smart tachograph
This tachograph can ONLY offer remote download if the option of Dynafleet or an FMS gateway has been specified with this order. <input type="checkbox"/> 1DAYDIGP Continental VDO DTCO 3.0 digital tachograph
For vehicles with long lead time - this includes prep kit for the retrofit of DTCO 4.0 tachograph. | <ul style="list-style-type: none"> <input type="checkbox"/> ARSL Additional road speed limit - switch in dashboard <input type="checkbox"/> CRUIS-E Eco cruise control (with eco-roll and I-cruise, controls in steering wheel) <input checked="" type="checkbox"/> CRUISEC Cruise control, standard <input checked="" type="checkbox"/> ESP-BAS1 Electronic Stability Control <input type="checkbox"/> ESPC-RO ESP (Electronic Stability Program) functionality control - Reduced / Off <input type="checkbox"/> HWSS-ACB Adaptive cruise control with forward collision warning and advanced emergency braking <input checked="" type="checkbox"/> HWSS-FCB Forward collision warning with basic cruise control and advanced emergency brake <input checked="" type="checkbox"/> LSS-DW Lane departure warning system <input type="checkbox"/> LCS Lane change support <input type="checkbox"/> DAS-W Driver Alert Support system <input type="checkbox"/> RSENS-W Rain sensing windscreen wipers <input type="checkbox"/> CU-ECC Electrically controlled air conditioning with sun sensor <input type="checkbox"/> CU-ECC2 Electrically controlled air conditioning with sun sensor, mist sensor, air quality sensor and carbon filter <input checked="" type="checkbox"/> CU-MCC Climate unit with manual controlled air conditioning <input checked="" type="checkbox"/> IMMOBIL Thatcham H2 approved immobiliser <input type="checkbox"/> ALARM-B Thatcham H1 approved vehicle alarm - Cab only <input type="checkbox"/> ALARM-E Enhanced vehicle alarm - Thatcham H1 approved - Cab plus external sensor for body/trailer <input type="checkbox"/> ALCOLOCK Alcolock <input type="checkbox"/> PHONE-PK Telephone preparation kit (antenna, antenna attachm. cable incl.) <input type="checkbox"/> WLIFT-AD Electrical window lift, automatic up/down driver side <input checked="" type="checkbox"/> WLIFT-EB Electrical window lift <input type="checkbox"/> WLIFT-ME Mechanical window lift <input type="checkbox"/> ISUNS-BS Side interior sun visor on both sides <input checked="" type="checkbox"/> ISUNS-DS Driver's side interior sun visor <input checked="" type="checkbox"/> ISUNF-B Interior front sun visor without mirror <input checked="" type="checkbox"/> ISUNF-MD Interior front sun visor with mirror on driver side <input type="checkbox"/> ISUNF-RE Electrically operated textile interior sun blind <input type="checkbox"/> ISUNF-RM Manually operated textile interior sun blind <input type="checkbox"/> ADFS Two extra DIN slots in front shelf - can be fitted with card or drawer available as an accessory <input checked="" type="checkbox"/> BUPALARM Reverse alarm <input type="checkbox"/> BUPMON Back up monitor with built in 7" screen on dash and one colour camera supplied loose for fitment by bodybuilder. <input type="checkbox"/> RTOLL-PK Road toll PREPARATION kit for trucks operating with "Toll Collect" in Germany <input type="checkbox"/> LOADIND Load indicator with central dashboard display <input type="checkbox"/> REMC-MF Multi-functio wireless remote control <input type="checkbox"/> FIREXT3S 3kg fire extinguisher mounted on seat base <input type="checkbox"/> WARNVEST High visibility warning vest - no sleeves <input type="checkbox"/> AIDKIT First aid kit <input type="checkbox"/> AIDKIT1B First aid kit <input type="checkbox"/> WARNLAMP Portable warning lamp <input type="checkbox"/> LAMP-IN Inspection lamp <input type="checkbox"/> BULBKIT Bulb and fuse kit <input type="checkbox"/> WRITEPAD Writing pad |
|---|---|

For updating to new legal demand for trick registration from 15th June 2019.
This tachograph can ONLY offer remote download if the option of Dynafleet or an FMS gateway has been specified with this order.

For more detailed information about cab and powertrain equipment, please refer to separate specification sheets.

For all possible options and combinations of options please consult your Volvo sales contact who can create a specification to match your requirements using the Volvo Sales Support system (VSS).

The factory reserves the right to modify design and change equipment without previous notification.
The specification can vary from country to country.

MODEL RANGE

FM 13 4x2 Tractor - X-Low - Full Air Suspension FM 42 T3XA

- UPHTRI10** Seats: Black embossed textile insert with light grey sides, black vinyl side bolster with blue vinyl side insert.
Interior trim: Raven black bunk and curtains & blue textile side walls
- UPHTRI11** Seats: Light grey embossed textile insert, black raven metallic vinyl bolster with red vinyl side insert.
Interior trim: Raven black bunk and curtains & grey vinyl side walls
- UPHTRI12** Seats: Blue soft textile insert, black vinyl bolster.
Interior trim: Raven black bunk and curtains & blue textile side walls
- UPHTRI13** Seats: Dark grey leather insert and black leather bolster.
Interior trim: Raven black bunk and curtains & grey vinyl side walls
- UPHTRI14** Seat: Dark grey leather insert and black leather bolster.
Interior trim: Raven black bunk and curtains & blue textile side walls
- DST-CF4** Driver seat, comfort, suspended, belt in seat
- DST-CF5** Driver seat, comfort, suspended, belt in seat, electrically heated
- DST-CF6** Driver seat, comfort, suspended, belt in seat, electrically heated, ventilated
- SBD-RED** Red seat belts
- SBPRE-DS** Driver seat belt pretensioner
- PST-BAS1** Passenger seat - Fixed non suspended fold up with seatbelt mounted in cab
- PST-BENC** Bench passenger seat
- PST-CF4** Passenger seat - Comfort suspended with seatbelt mounted in seat
- PST-CF5** Passenger seat - Comfort suspended & heated with seatbelt mounted in seat
- PST-STD2** Passenger seat - Fixed non suspended with seatbelt mounted in cab
- PST-STD4** Passenger seat - Standard suspended with seatbelt mounted in cab
- SBPRE-PS** Passenger seat belt pretensioner
- ARM-DBPS** Two armrests on driver seat and one (outer) on passenger seat
- ARMRE-BB** Two armrests on both driver and passenger seat.
- ARMRE-DB** Two armrests, on driver seat only
- ARMRE-PB** Two armrests, on passenger seat only
- ARMRE-PS** Single armrest (next to driver) on passenger seat
- ARU-BAS** Vinyl upholstered armrest
- ARU-LEA** Leather upholstered armrest
- FMAT-RUB** Rubber floor mats
- FMAT-TX2** Textile and rubber floor mats
- LBK-RES** Foldable rest bunk
- LBK70** Lower bunk 700 x2000 mm, fixed
- ULBK** Without lower bunk
- MATL-FI** Firm lower bunk pocket sprung mattress
- MATL-SF** Lower flexizone mattress - semi-firm, pocket springs up to 100kg - 16 stone
- MATL-SO** Lower flexizone mattress - soft, pocket springs up to 85kg - 13.5 stone
- OLMAT-BA** 35mm mattress overlay protector
- OLMAT-PR** 50mm premium mattress overlay protector
- TBK60F** Fixed foldable top bunk 600 x 1900mm
- TBK70F** Fixed foldable top bunk 700 x 1900mm
- PH-CAB2** 1.8kW Air to air night heater
- PH-ENGCA** Engine and cab night heater
- PH-SS** Short stop heater
- SLCP-BAS** Basic sleeper control panel - includes interior light, parking heater, roof hatch and door lock
- SAFE** Safe box for driver's personal items
- ETSB-F** Storage on engine tunnel - on front top
- ETSB-FR** Storage on engine tunnel - on front top and at rear cab wall
- ETSB-FRS** Storage on engine tunnel - on front top & at rear cab wall & storage recessed into tunnel on right hand side
- ETSB-FS** Storage on engine tunnel - on front top and storage recessed into tunnel on right hand side
- ETSB-R** Storage on engine tunnel - box at rear cab wall
- ETSB-RS** Storage on engine tunnel - at rear cab wall and storage recessed into tunnel on right hand side
- ETSB-S** Storage on engine tunnel - recessed into tunnel on right hand side
- RUS-BAS** Rear cab upper storage 154 litres - 300 mm high
- RUS-HIG** Rear cab upper storage 245 litres - 440 mm high
- TABLE** Folding and height adjustable table - on lower bunk
- REF-ICPK** Refrigerator preparation kit, engine tunnel mounted
- REFR-RUS** 28 litre rear upper wall mounted refrigerator with dividers
- BOTH-D** One bottle holder under dashboard centre section
- COFMA-PK** Coffee maker, preparation kit.
- INLI-BAS** Basic white interior lights
- INLI-NL** Interior white and red night light with no dimmer
- INLI-NLD** Interior white and red night light with dimmer function
- ARL-FLEX** Two flexible reading lamps (snake lamps)
- RH-ECS** Glass roof hatch - Electrically operated
- RH-EE** Without roof hatch
- RH-ETR** Roof & escape hatch - Electrically operated, tinted glass with rear opening
- RH-MSR** Steel roof hatch - Manually operated with rear opening
- RH-MTR** Roof & escape hatch - Manually operated, tinted glass with rear opening
- URH** Without roof hatch
- SWIND-BS** Extra side window on both sides behind "B" pillar
- SWIND-PS** Rear side window, passenger side
- VANMIR** Vanity mirror in front shelf
- AS-FUS** Extra shelf in front upper storage compartments
- INFOT-PK** Preparation kit for the mounting of a flat screen TV in cab above the driver's door, includes bracket, electrical and speaker connections

CAB EXTERIOR

- PAICS-B** Basic cab paint - mirrors, sunvisor, instep and bumper supplied in natural finish - grey
- PAICS-C** Complete cab - mirrors, insteps, sunvisor, and bumper finished in cab colour
- GLAS-TIN** Tinted windows.
- AWIND-RF** Rear window
- DGLAS-L** Laminated door glass
- LOCK-MAN** Manual door locking
- LOCK-MRP** Manual door locking with internal remote control (from driver side) of passenger door
- LOCK-REM** Central locking with remote control
- BUMP-B** Plastic front bumper
- BUMP-B2** Steel front bumper
- BUGNET** Insect screen in front of radiator
- CTILT-P-E** Electrically operated hydraulic cab tilt
- CTILT-P-M** Manually operated hydraulic cab tilt
- FCABS-A** Front cab - Air suspension
- FCABS-M** Front cab - Mechanical spring suspension
- RCABS-A** Rear cab suspension - Air
- RCABS-M** Rear cab suspension - Mechanical spring
- MIRCOMF2** Basic electrically heated and operated mirrors FMX style with wide angle and passenger kerb mirror, to increase vision side mirrors have no mirror cowlings.
- MIRCOMFM** Electrically heated and operated main mirror with heated wide angle mirror on both sides, manual kerb view mirror on

Standard Equipment

Optional Equipment

For more detailed information about cab and powertrain equipment, please refer to separate specification sheets.

For all possible options and combinations of options please consult your Volvo sales contact who can create a specification to match your requirements using the Volvo Sales Support system (VSS).

The factory reserves the right to modify design and change equipment without previous notification. The specification can vary from country to country.

MODEL RANGE

FM 13 4x2 Tractor - X-Low - Full Air Suspension FM 42 T3XA

- **MIRSTD2** passenger side
Basic electrically heated FMX style main with wide angle and passenger kerb mirror, to increase vision side mirrors have no mirror cowlings.
 - **MIRSTDFM** Electrically heated exterior mirrors with wide angle mirror on both sides and kerb view mirror on passenger side
 - **AMIR-F20** Auxiliary front view mirror with a 200mm radius
 - **SUNV-H** External smoke grey sunvisor
 - **AD-ROOF** Roof air deflector
 - **AD-SIDEL** Side air deflector extension panels
 - **AD-SIDES** Short cab side air deflector for rigid bodywork
 - **HL-BASIC** Halogen H7 head lamps
 - **HL-BHID** High intensity Bi-Xenon head lamps
 - **HL-DBL** Bi-Xenon high intensity discharge and dynamic head lamps. Dipped beam follows the road, activated by a signal from the steering system.
 - **HL-CLEAN** Head lamp cleaner - washer jets
 - **HLP-ST** Headlamp protection
 - **HL-ADJ** Adjustable headlights with switch in the cab
 - **DRIVL2** Two spot lamps
 - **UDRIVL** Without auxiliary driving lights
 - **FOGL-WC** Front fog lights
 - **CL-STAT** Static corner lights
 - **ASL-RF2** Two Hella H11 70W spotlamps in sign box - only available with the basic headlight and no lower driving lights.
 - **ASL-RFPK** Preparation kit for two spotlamps in sign box
 - **BEACOA2F** Two front roof mounted amber beacon rotating warning lamps
 - **BEACOA2R** Two rear roof mounted (on accessory bracket) amber beacon flashing warning LED lamps
 - **BEACON-P** Roof beacon wire preparation
 - **BEACONA4** Four roof mounted (2 front/2 rear) amber beacon rotating warning lamps
 - **CABPT-R1** Single outlet for roof mounted accessories
 - **CABPT-R2** Twin outlets for roof mounted accessories.
 - **SPOTP-F** Spotlamp preparation in front, max 280W
 - **SPOTP-R** Spotlamp preparation on roof, max 280W
 - **SPOTP-RF** Spotlamp preparation on cab roof and in cab front, max 2x280W
 - **CSGN-GTR** "Globetrotter" headboard logo
 - **HORN-F1S** Single tone Jericho air horn chassis mounted
 - **HORN-R2S** Two roof mounted air horns
 - **ANT-CBR** Roof mounted antenna for CB radio, single aerial
 - **ACCBP-AP** Front, middle & rear roof mounted accessory brackets
 - **ACCBP-F** Front roof mounted accessory bracket
 - **ACCBP-FM** Front & middle roof mounted accessory brackets
 - **ACCBP-FR** Front & rear roof mounted accessory brackets
 - **ACCBP-M** Middle roof mounted accessory bracket
 - **ACCBP-R** Rear roof mounted accessory bracket
 - **ACCBP-RM** Rear & middle roof mounted accessory brackets
 - **RFCAR-BC** Rear mudwing carrier, back of cab
 - **LADDER** Ladder back of cab
 - **REFS-TW** White cab conspicuity markings by packed in cab
 - **REFS-TY** Yellow cab conspicuity markings by packed in cab
- **5WM-ASM** 50mm high 'L' profiles for air actuated sliding 5th wheel
 - **5WM-DH** Dual height 5th wheel mounting
 - **5WM-ISOL** 5th wheel subframe 16mm high above chassis frame
 - **5WM-ISOM** 5th wheel subframe 60mm high above chassis frame
 - **5WM-LPRO** L profiles 50mm with 10mm thick plate
 - **5WM-LPRO** 5th wheel attached direct to frame with inverted 'L'-profiles
 - **5WM-MASL** 4mm high 'L' profiles for manual sliding fifth wheel
- **5WM-MASM** 50mm high 'L' profiles for manual sliding fifth wheel
 - **5WH140** Fifth wheel leg-height 140 mm
 - **5WH150** Fifth wheel leg-height 150 mm
 - **5WH160** Fifth wheel leg-height 160 mm
 - **5WH175** Fifth wheel leg height 175mm
 - **5WH17D37** Fifth wheel leg-height 167 mm to 367mm
 - **5WH185** Fifth wheel leg-height 185 mm
 - **5WH195** Fifth wheel leg-height 195mm
 - **5WH200** Fifth wheel leg-height 200 mm
 - **5WH205** Fifth wheel leg-height 205 mm
 - **5WH210** Fifth wheel leg-height 210 mm
 - **5WH220** Fifth wheel leg-height 220mm
 - **5WH230** Fifth wheel leg-height 230 mm
 - **5WT-FO14** Fontaine 150SP2 pressed steel fifth wheel
 - **5WT-FO15** Fontaine 3000 lightweight cast fifth wheel with 150SF air operated slider - for moderate duty off road. Specified fifth wheel position always gives rearmost position.
 - **5WT-JO10** Jost JSK 36 pressed fifth wheel
 - **5WT-JO8** Jost JSK 37 cast fifth wheel
 - **5WT-JO9** Jost JSK 42 cast fixed fifth wheel
 - **5WT-SH** SAF-Holland/+GF+ SK-S 36.20 cast fixed fifth wheel
 - **5WLM-B** Basic fifth wheel maintenance standard top plate
 - **5WLM-L** Low maintenance fifthwheel with nylon top plate
 - **5WL-S1** Fifth wheel lubrication - locking mechanism and top plate
 - **5WL-S2** Fifth wheel lubrication - locking mechanism
 - **TCIND** Trailer connection indication with sensors for height, kingpin and coupling lock
 - **RDECK** Catwalk & step
 - **RDECK-M** Rear catwalk 760mm
 - **SRWL-PK** Wiring preparation for side & rear work/reverse lamps on side of chassis and a three-position switch, maximum 280W
 - **SWL-2RA** Two H3 35W amber rear chassis mounted (LH/RH side) working lamps and a 2-position switch (On/Off)
 - **SWL-2RW** Two H3 70W white rear chassis mounted (LH/RH side) working lamps and a 2-position switch (On/Off)
 - **SWL-PK** Wiring preparation for side work/reverse lamps on side of chassis and a three-position switch, maximum 280W
 - **WL-TA1W** White coupling light
 - **WLC-H2A** Two H3/70W working lamps with amber coloured lens high mounted back of cab
 - **WLC-H2W** Two H3/70W white working lamps high mounted on the back of cab
 - **WLC-PKH** Preparation kit, cables and switch for high mounted working lamps back of cab
 - **WLC-PKL** Preparation kit, cables and switch for low mounted working lamps back of cab
 - **WLC-PKLH** Preparation kit - cables and switch for low and high mounted working lamps back of cab.
 - **ECBB-BAS** Body builder electrical centre without body builder module
 - **ECBB-HIG** Body builder electrical centre with body builder module
 - **BBCHAS1** One 7-pole connector for Body builder interface
 - **BBCHAS3** Three 7-pole connectors for Body builder interface
 - **BEPR-T2** Body builder electrical software preparation for tipper with remote control
 - **EXSTER** External steering control, with VDS and bodybuilder module
 - **TD-BAS** Trailer detection WITHOUT LED sensing
 - **TD-LED** Trailer detection with LED sensing
 - **AUXL-SPK** Electrical preparation kit - wiring and switch for snow plough lights
 - **TAILPRE2** Tail lift preparation kit, wireless remote operation
 - **TAILPREP** Taillift preparation kit - cab switch and warning in driver display
 - **AESW2** Two Body builder bistable electrical switches (marked AUX1 / AUX2)
 - **AESW2PK** 2 Body builder bistable el.switches (marked AUX1/AUX2) and prep. for 4 more switches

■ Standard Equipment

□ Optional Equipment

For more detailed information about cab and powertrain equipment, please refer to separate specification sheets.

For all possible options and combinations of options please consult your Volvo sales contact who can create a specification to match your requirements using the Volvo Sales Support system (VSS).

The factory reserves the right to modify design and change equipment without previous notification. The specification can vary from country to country.

MODEL RANGE

FM 13 4x2 Tractor - X-Low - Full Air Suspension FM 42 T3XA

- **AUXSW-4** Wiring for 4 extra switches (from Body builder electrical centre to switch positions)

DELIVERY SERVICES

- **TGW-3GWL** Telematics gateway with GSM/GPRS/3G modem and wireless lan WLAN
- **FMS-PK** Fleet Management System gateway
- **DRUT** "My Truck App" Two years subscription to driver utility application

VOLVO

Volvo Truck Corporation
volvotrucks.com