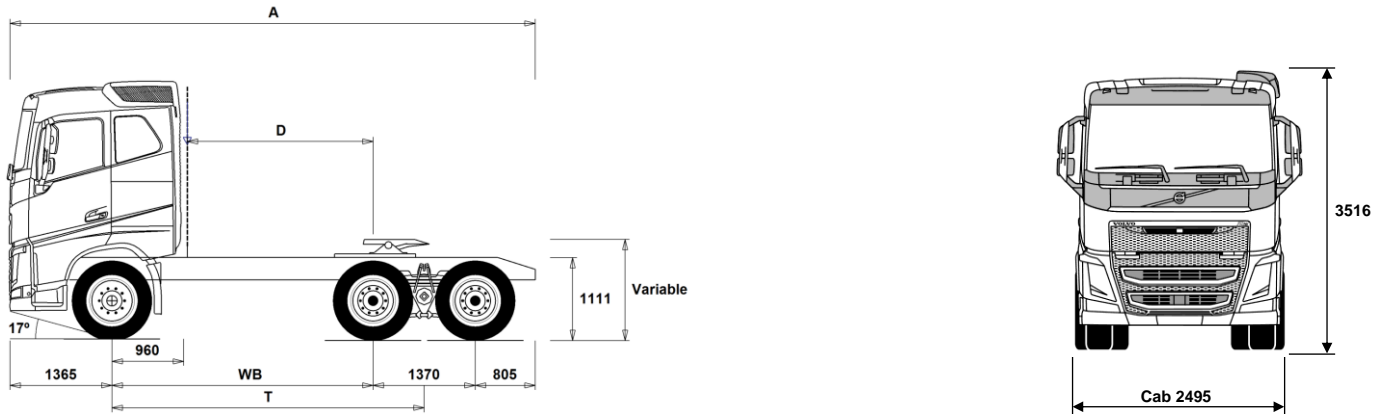


MODEL RANGE



Volvo Trucks. Driving Progress

FH 16 6x4 Tractor - High T Ride - N3 Cranked front axle for on road work FH 64 T6HT



Chassis Dimensions [mm]

WB Wheelbase	3000	3200	3400	3600	3900
A Overall Chassis Length	6540	6740	6940	7140	7440
D Center of rear axle to back of cab	1990	2190	2390	2590	2890
T Theoretical Wheelbase	3685	3885	4085	4285	4585

Chassis Weights [kg]

Front Axle	5500	5525	5560	5580	5610
Rear Bogie	3950	3945	3950	3950	3950
Kerb Weight	9450	9470	9510	9530	9560

Turning Diameter [mm]

Turning Circle Diameter Kerb to Kerb	13300	13900	14500	15100	16100
Turning Circle Diameter Wall to Wall	14700	15300	15900	16500	17400

Plated Weights [kg]

	Plated	Design
Gross Vehicle Weight	26000	34000
Gross Combination Weight	44000	44000
Front Axle	8000	8000
Rear Bogie	19000	26000

Important Notes

Chassis Dimensions

Cab Height: +305 mm for CAB-HSLP, -283 mm for CAB-LSLP, +450 mm for CAB-XHSL.

D-measure includes a front clearance of 50 mm and for rigid trucks also a subframe of 100 mm.

Height can vary ± 20 mm for leaf and ± 10 mm for air suspension. All dimensions are for unladen chassis and any tag axles down.

Weight and dimensions are based upon the following tyres:

Front Axle Tyres: 315/80R22.5
Drive Axle Tyres: 315/80R22.5

Chassis weight includes oil, water, AdBlue, 0 litres fuel and without driver. Kerb weight can vary $\pm 3\%$.

Turning diameters are theoretically calculated.

Legal weights can differ from country to country.

For more detailed weight information, including optional equipment weights, ask your Volvo sales contact to enter your specification into the Volvo Weight Information system (WIS).

Do NOT use this drawing for bodybuilding. Refer to Volvo Bodybuilder Instructions and chassis assembly drawing FH64T6HT.

MODEL RANGE

FH 16 6x4 Tractor - High T Ride - N3 Cranked front axle for on road work FH 64 T6HT

TRUCK USE

- **RC-ROUGH** Operating class on/off road

CORE COMPONENTS

- **RADD-TR1** T-ride 1 rear two spring bogie suspension, 75mm wide springs
- **RADD-TR2** T-ride 2 rear two spring bogie suspension, 90mm wide springs
- **FH16HSLP** Globetrotter cab - all steel safety cage design with roof mounted emergency escape hatch. Designed and built to Swedish impact and ECE R29 regulations
- **FH16SLP** Sleeper cab - all steel safety cage design with roof mounted emergency escape hatch. Designed and built to Swedish impact and ECE R29 regulations
- **FH16XHSL** Globetrotter XL cab - all steel safety cage design with roof mounted emergency escape hatch. Designed and built to Swedish impact and ECE R29 regulations
- **D16K550** D16K550 16litre engine developing 550hp at 1550-1900rpm SCR & EGR. Peak torque 2900Nm at 900-1350rpm. 2800Nm at 900-1400rpm with manual gearbox
- **D16K650** D16K650 16litre engine developing 650hp at 1450-1900rpm SCR & EGR. Peak torque 3150Nm at 950-1450rpm.
- **D16K750** D16K750 16litre engine developing 750hp at 1600-1800rpm SCR & EGR. Peak torque 3550Nm at 950-1400rpm.
- **EBR-EPG** Exhaust brake controlled by steering column switch
- **EBR-VEB+** Volvo engine brake + and exhaust pressure governor, enhanced performance from additional exhaust rocker control. Retardation 375kW
- **AT2812F** AT2812E 12-speed "I-shift" automated mechanical gearbox suitable for gross train weights up to 60 tonne refer to sales engineering when used in conjunction with a PTO
- **ATO3112F** ATO3112F 12-speed "I-shift" overdrive automated mechanical gearbox suitable for gross train weights up to 60tonne refer to sales engineering when used in conjunction with a PTO
- **ATO3512F** ATO3512F 12-speed "I-shift" automated mechanical gearbox suitable for gross train weights up to 60 tonne refer to sales engineering when used in conjunction with a PTO
- **RTH2610F** RTH2610F hub reduction tandem 26tonne drive axles, GCW 100 tonnes with differential and cross locks*
* Cross locks replaced by a dog clutch if tandem axle lift is specified
- **RTH3210F** RTH3210F hub reduction tandem 32 tonne drive axles, GCW 100 tonnes with differential and cross locks*
* Cross locks replaced by a dog clutch if tandem axle lift is specified
- **RTH3312** RTH3312 hub reduction tandem 33tonne drive axles, GCW 120 tonnes with differential and cross locks*
* Cross locks replaced by a dog clutch if tandem axle lift is specified
- **RTS2370A** RTS2370A single reduction tandem 23tonne drive axles with differential and cross locks* - design GCW 70tonnes.
* Cross locks replaced by a dog clutch if tandem axle lift is specified

PACKAGES

- **FH25YEAR** 25th anniversary Volvo FH - Special edition
- **DRIV16++** Drive plus+ cab package:
- **DRIVE16+** Drive plus package:
- **1BED** Living package with single bed:
- **1BED+** Living package with single bed plus:
- **2BED** Living package with two beds:
- **2BED+** Living package with two beds plus:

- Standard Equipment
- Optional Equipment

For more detailed information about cab and powertrain equipment, please refer to separate specification sheets.

For all possible options and combinations of options please consult your Volvo sales contact who can create a specification to match your requirements using the Volvo Sales Support system (VSS).

The factory reserves the right to modify design and change equipment without previous notification. The specification can vary from country to country.

- **AUDHIG** High Power Audio system: RDS radio with CD player - also playing MP3/WMA files from CD -, with integrated bluetooth phone and USB/Line inputs. FM/AM antenna, speakers in dashboard, doors, and sleeping compartment.
- **MEDIA** AM/FM Bluetooth radio without CD player. USB and Aux line inputs. Speakers in dashboard, doors, and sleeping compartment. 7" touch screen with personal apps.
- **MEDIADF** AM/FM Bluetooth radio without CD player. USB and Aux line inputs. Speakers in dashboard, doors, and sleeping compartment. 7" touch screen with personal and professional apps. Dynafleet vehicle on-board data display with office internet support.
- **MEDIANAV** AM/FM Bluetooth radio without CD player. USB and Aux line inputs. Speakers in dashboard, doors, and sleeping compartment. 7" touch screen with personal and professional apps. Truck based satellite navigation (live updates not included) AM/FM Bluetooth radio without CD player. USB and Aux line inputs. Speakers in dashboard, doors, and sleeping compartment. 7" touch screen with personal and professional apps. Truck based satellite navigation (live updates not included) Dynafleet vehicle on-board data display with office internet support.
- **MEDIANDF** AM/FM Bluetooth radio without CD player. USB and Aux line inputs. Speakers in dashboard, doors, and sleeping compartment. 7" touch screen with personal and professional apps. Truck based satellite navigation (live updates not included) Dynafleet vehicle on-board data display with office internet support.
- **VISI15** Visibility package

CHASSIS

- **FST-MUL** Front Front suspension type - Multileaf Springs
- **FST-PAR** Front suspension type - 2 leaf parabolic springs
- **FST-PAR3** Front suspension type - 3 leaf parabolic springs
- **FAL10.0** Front axle design capacity 10 tonnes - Ensure that you have checked the tyre load index
- **FAL7.1** Front axle design capacity 7.1 tonnes
- **FAL7.5** Front axle design capacity 7.5 tonnes
- **FAL8.0** Front axle design capacity 8.0 tonnes - Ensure that you have checked the tyre load index
- **FAL8.5** Front axle design capacity 8.5 tonnes
- **FAL9.0** Front axle design capacity 9.0 tonnes - Ensure that you have checked the tyre load index
- **FSM-LUB** Lubricated rear shackles on front suspension pins and bushings
- **FSTAB** Front anti-roll bar
- **FSTAB2** Front anti-roll bar medium stiffness
- **FSTAB3** Front stiff anti-roll bar
- **RAL23** Rear bogie design capacity 23 tonnes
- **RAL26** Rear bogie design capacity 26 tonnes
- **RAL32** Rear bogie design capacity 32 tonnes
- **RSAP2** Heavy duty rear suspension application (with reinforcements)
- **RSAP3** Light duty rear suspension application
- **ACTST-TO** Volvo Dynamic Steering (VDS) with with extra electronic pump and torque overlay
- **ASFE-BAS** Active steering feature - Basic - Volvo Dynamic Steering only
- **ASFE-OG** Active steering feature - Volvo Dynamic Steering with stability assist - oversteer
- **ASFE-PO** Active steering feature - Volvo Dynamic Steering with personal settings and stability assist
- **ASFE-PS** Active steering feature - Volvo Dynamic Steering with personal settings
- **PSP-FIX** Power steering pump with fixed displacement
- **PSP-VAR** Power steering pump with variable displacement
- **EBS-MED** EBS medium package including "hill" hold function
- **AUXPARK** Additional spring parking brakes
- **RST-MUL** Rear Suspension, Multi-leaf springs
- **RST-PAR1** Rear Suspension, Parabolic springs
- **RST-PAR5** Rear Suspension, Progressive parabolic springs
- **ABS** Anti lock brakes

MODEL RANGE

FH 16 6x4 Tractor - High T Ride - N3 Cranked front axle for on road work FH 64 T6HT

- **FBREG-E** Front regulating brake valve, EBS
 - **FBREG-RP** Front regulating brake valve, reduced pressure/low pressure range
 - **FRAME300** Frame rail section external height 300 mm
 - **FIL-EEEB** Inner liner from end of engine to end of bogie
 - **FIL-TXEB** Inner liner from gearbox member to end of bogie
 - **BBOX-L** Battery box located on left hand side
 - **2BAT210B** 2 x 210 Ah capacity Gel batteries
 - **2BATT225** 2 x 225 Ah capacity batteries
 - **BATTAMP** Battery voltage and ampere gauge
 - **BATTIND** Battery charge indication
 - **ADR2** ADR package for transportation of dangerous goods on road (Note does NOT include safe loading pass package if required this is quoted separately)
 - **MSWI-A** Main switch - ADR switch circuit shut down
 - **MSWI-C** Main switch - Chassis mounted toggle switch by battery box
 - **MSWI-R** Main switch - Key fob operated remote controlled
 - **R330A71** Right aluminium 710 mm D-shaped fuel tank, 330 litres volume
Min volume 150l
Max volume 810l
 - **UL-FUEL** Without left fuel tank
Min volume 160l
Max volume 605l
 - **ADTP-BC** AdBlue tank behind/under cab on right hand side
 - **ADTP-L** AdBlue tank on left hand side
 - **ADTP-R** AdBlue tank on right hand side
 - **ADB048** AdBlue tank usable volume 48 litres
 - **ADB064** AdBlue tank usable volume 64 litres
 - **ADB065** AdBlue tank usable volume 65 litres - under cab
 - **ADB068** AdBlue tank usable volume 68 litres
 - **ADB090** AdBlue tank usable volume 90 litres
 - **FCAP-L** Locking fuel filler cap
 - **FUFF-AS** Fuel filling anti-spillage device
 - **FUFF-ATS** Fuel filling anti-theft and anti-spillage devices
 - **ESH-LEFT** Horizontal silencer, left exhaust outlet
 - **ESH-REAR** Horizontal silencer, rear exhaust outlet
 - **ESH-RIGH** Horizontal silencer, right exhaust outlet
 - **ESH-VERT** Horizontal silencer, vertical exhaust outlet
 - **EXST-SSP** Stainless steel exhaust stack - NOT polished
 - **EXST-ST** Steel exhaust stack
 - **WHC-FIX2** Two fixed wheel chocks
 - **WHC-FOL2** Two foldable wheel chocks
 - **WHCP-F** Wheel chock(s) stored in the front part of the vehicle
 - **WHCP-M** Wheel chock(s) stored in the middle part of the vehicle
 - **WHCP-T** Transport mounted wheel chock(s) stored in cab outer luggage locker
 - **TB-L80** Toolbox 800 mm, left side
 - **TB-R80** Toolbox 800 mm, right side
 - **SUP-BAS** EC approved chassis side guards
 - **SUP-LOW** EC approved low chassis side guards
 - **CHAIN-S** Snow chains
 - **HOOK-SC** Snow chain hooks
 - **TOWF-NO1** One front towing device
 - **TOWF-NO2** Two front towing devices
 - **TOWR-ONE** Towing hitch attached to rear crossmember
 - **TREL15** Single 15 pole electrical trailer connector - ADR certified
 - **TREL7** 7 pole - 24N trailer electrical suzie
 - **TREL7-7** 24N and 24S trailer electrical suzies
 - **TBC-DUO** Duomatic type air line connectors
 - **TBC-EC** Palm coupling type air line connectors
 - **TBC-GBR** 'C' and 'CA' type air line connectors
 - **TRBR-HCF** Full pressure hand controlled trailer brake
 - **TRBR-STA** Stationary trailer brake control
 - **TRB-STRE** Stretch Brake - Automatic low speed trailer brake activation to avoid jack-knifing and improve steerability
 - **RFEND-B** Three piece EC approved rear mud wings and spray flaps
 - **RFH-BAS** Basic rear wing height
 - **RFH-HIG** High rear wing height - higher wing tops
 - **RFH-LOW** Lower rear wing height - shallower wing tops
 - **ATANK-AL** Aluminium air tanks
 - **ATANK-ST** Steel air tanks
 - **TL-LED** LED Tail lights
 - **BLIGHT-E** Emergency brake light
- ### WHEELS & TYRES
- **RT-AL** Alcoa brushed aluminium rims with standard holes for long stud fixing on all axles
 - **RT-ALDP** Alcoa Dura-Bright EVO aluminium rims with standard holes long stud fixing on all axles, requires cleaning with a ph neutral solution - washing up liquid.
 - **RT-ALDPD** Alcoa Dura-Bright EVO aluminium rims with countersunk holes for short stud fixing on all axles, requires cleaning with a ph neutral solution - washing up liquid.
 - **RT-ALDU** Alcoa brushed aluminium rims with countersunk holes for short stud fixing on all axles
 - **RT-SPOKE** Spoke rims on all axles
 - **RT-STEEL** Steel rims on all axles
 - **WCAP** Aerodynamic hub caps
 - **BRREC001** Bridgestone ECOPIA H - Energy rating C
 - **COREC001** Continental ECOPLUS HS3 XL/HD3 - Energy rating B or C depending on size
 - **COREC002** Continental ECOPLUS HS3/HD3 - Energy rating B or C depending on size
 - **COREC003** Continental Efficient Pro S/D - Fuel Tyre Recommendation 3 Reduced mileage compared to Conti EcoPlus long haul pattern please consider when selecting these tyres.
 - **GYREC001** Good Year FUELMAX S/HL/D - Energy rating B or C depending on size
 - **GYREC002** Good Year FUELMAX S/D - Energy rating B or C depending on size
 - **GYREC003** Good Year FUELMAX S/(O)/D - Fuel tyre Recommendation 3
 - **MIREC001** Michelin XFA2/X-LINE Energy - Fuel tyre Recommendation 1
 - **MIREC002** Michelin XZA2/X-LINE Energy - Fuel tyre Recommendation 2
 - **MIREC003** Michelin X-LINE Energy - Fuel tyre Recommendation 3
 - **MIREC004** Michelin X Line Energy F/D2 - Energy rating A
 - **SPWT-D** Spare wheel & tyre with rear tyre pattern
 - **SPWT-F** Spare wheel & tyre with front tyre pattern
 - **SWCP-LF** Spare wheel carrier on left side of chassis ahead of rear axle
 - **SWCP-T** Spare wheel supplied temporarily strapped to chassis
 - **SWCP-TP** Temporary spare wheel carrier on top of chassis frame
 - **JACK-12T** 12 tonne bottle jack
 - **JACK-15T** 15 tonne bottle jack
 - **JACK-20T** 20 tonne bottle jack
 - **TOOL-BAS** Basic Toolkit
 - **TOOLKIT** Complete tool kit
 - **INFLAHOS** Tyre inflation hose
 - **GAUGE-TP** Tyre pressure gauge
 - **OBDEP-C** Euro 6 Step C emission level
 - **OBDEP-D** Euro 6 Step D emission level
- ### DRIVELINE EQUIPMENT
- **ASO-C** Crawler gear -
Ratio direct top gearbox 19:1
Ratio Overdrive gearbox 17:1
 - **ASO-ULC** Ultra low crawler and crawler gear -

■ Standard Equipment □ Optional Equipment

For more detailed information about cab and powertrain equipment, please refer to separate specification sheets.

For all possible options and combinations of options please consult your Volvo sales contact who can create a specification to match your requirements using the Volvo Sales Support system (VSS).

The factory reserves the right to modify design and change equipment without previous notification. The specification can vary from country to country.

MODEL RANGE

FH 16 6x4 Tractor - High T Ride - N3 Cranked front axle for on road work FH 64 T6HT

	Ratios direct top gearbox 32:1 and 19:1 Ratios Overdrive box 32:1 and 17:1		
■ TRAP-HD	Reinforced gearbox application	□ PTR-DM	Gearbox driven medium speed PTO for one plug-in hydraulic pump
□ TP-CON	Construction Package	□ PTR-F	Gearbox driven PTO with rear flange connection
□ TP-DIST	Distribution Package	□ PTR-FH	Gearbox driven high speed PTO with SAE drive flange
□ TP-HD	I-shift software - Heavy duty for high GCW Special conditions apply consult Sales Engineering	□ PTR-FL	Gearbox driven low speed PTO with SAE drive flange
□ TP-LONG	Long Haul Package	□ PTRD-D	Gearbox driven HIGH SPEED PTO for two plug-in hydraulic pumps
□ AMSO-AUT	Enhanced I-shift software with manual shift available in auto mode and kickdown facility on accelerator pedal	□ PTRD-D1	PTRD-D1 Gearbox driven HIGH SPEED PTO (1 SAE flange & 1 plug-in hydraulic pump)
□ AVO-ENH	Enhanced software for off road driveability and starting	□ PTRD-D2	Gearbox driven HIGH SPEED PTO (2 SAE flanges & 1 plug-in hyd pump)
□ APF-ENH	I-shift enhanced PTO functions	□ PTRD-F	PTO with 1 DIN + 1 flange connection rear, manual gearbox
■ CS43B-O	Single plate 430mm (17") clutch	□ HPG-F101	Parker F1-101 gearbox mounted, fixed displacement, single flow, hydraulic pump
□ RET-TH	Gearbox mounted retarder	□ HPG-F41	Parker F1-41 gearbox mounted, fixed displacement, single flow, hydraulic pump
□ TC-MAOH2	Extra high performance transmission oil cooler - air to oil with front mounted radiator	□ HPG-F51	Parker F1-51 gearbox mounted, fixed displacement, single flow, hydraulic pump
■ TC-MWO	Basic transmission oil cooler - water to oil	□ HPG-F61	Parker F1-61 gearbox mounted, fixed displacement, single flow, hydraulic pump
■ TC-MWOH2	High performance transmission oil cooler - water to oil	□ HPG-F81	Parker F1-81 gearbox mounted, fixed displacement, single flow, hydraulic pump
□ 2COM1100	Two cylinder, air compressor, 1100 litres per minute	□ EIDLESD	Engine idle shut down
■ 2COMP900	Two cylinder, air compressor, 900 litres per minute	□ DTRI-PER	Dashboard in darker peregrine greyish brown. Steering wheel grey and door panels in light beige for FH and black for FH16. Dashboard and steering wheel cover in light beige skylark. Door panels in light beige for FH and black for FH16.
□ CLU-AIRC	Clutchable air compressor	□ DTRI-SRA	
□ AIRIN-FR	Front air intake fitted to the underside of cab engine tunnel	□ STWPOS-L	LEFT HAND DRIVE
■ AIRIN-HI	Roof mounted air intake behind cab on left hand side	■ STWPOS-R	RIGHT HAND DRIVE
□ AIRIN-LO	Low level air intake behind cab on left hand side	■ STWM-LE	Leather steering wheel
□ ACL1ST-S	Two stage air filter	□ STGW-AD2	Adjustable steering wheel with neck tilt
■ 24AL120B	120 amp alternator	■ STGW-ADJ	Adjustable steering wheel
□ 24AL150B	150 amp alternator	■ AIRBAG	SRS Driver's air bag
■ CCV-C	Closed crankcase engine ventilation	■ DRC-AMII	DPF Regeneration control switch - for manual and switching off regeneration
□ CCV-OX	Closed crankcase ventilation for cold markets	□ 1DAYDIG	Continental VDO DTCO 3.0 digital tachograph This tachograph can ONLY offer remote download if the option of Dynafleet or an FMS gateway has been specified with this order.
■ PRIM-EL	Electrical priming pump	■ 1DAYDIG2	Continental VDO DTCO 4.0 smart tachograph This tachograph can ONLY offer remote download if the option of Dynafleet or an FMS gateway has been specified with this order.
□ AF-R	Hot fuel recirculation heated fuel filter	□ 1DAYDIGP	Continental VDO DTCO 3.0 digital tachograph For vehicles with long lead time - this includes prep kit for the retrofit of DTCO 4.0 tachograph. For updating to new legal demand for trick registration from 15th June 2019. This tachograph can ONLY offer remote download if the option of Dynafleet or an FMS gateway has been specified with this order.
□ FUEFE2LW	Large engine mounted dual fuel filter with water separator	□ ARSL	Additional road speed limit - switch in dashboard
■ FUEFE2SW	Small engine mounted dual fuel filter with water separator	□ CRUIS-E	Eco cruise control (with eco-roll and I-cruise, controls in steering wheel) Cruise control, standard
□ EST-AID	Air inlet manifold starting heater element	■ CRUISEC	Electronic Stability Control
□ 220EBH15	220V/1.5Kw electric engine block heater	■ ESP-BAS1	Electronic Stability Control
□ PTER-100	Rear engine mounted power-take-off with DIN 100 / ISO 7646 flange	□ ESPC-RO	ESP (Electronic Stability Program) functionality control - Reduced / Off
□ PTER-DIN	Rear engine mounted PTO with DIN5462 (female) splined shaft for a close coupled pump. Models with 3 steering axles will use this to drive the steering pump (AUXPSP)	□ HWSS-ACB	Adaptive cruise control with forward collision warning and advanced emergency braking
□ PTER1400	Rear engine mounted power-take-off with SAE 1410 flange	■ HWSS-FCB	Forward collision warning with basic cruise control and advanced emergency brake
□ HPE-F101	Parker F1-101, engine mounted, fixed displacement, single flow, engine mounted hydraulic pump	■ LSS-DW	Lane departure warning system
□ HPE-F41	Parker F1-41, engine mounted, fixed displacement, single flow, engine mounted hydraulic pump		
□ HPE-F51	Parker F1-51, engine mounted, fixed displacement, single flow, engine mounted hydraulic pump		
□ HPE-F61	Parker F1-61, engine mounted, fixed displacement, single flow, engine mounted hydraulic pump		
□ HPE-F81	Parker F1-81, engine mounted, fixed displacement, single flow, engine mounted hydraulic pump		
□ HPE-T53	Parker F2-53/53, engine mounted, Fixed displacement, Twin flow engine mounted hydraulic pump		
□ HPE-T70	Parker F2-70/35, engine mounted, Fixed displacement, Twin flow engine mounted hydraulic pump		
□ HPE-V45	Parker VP1-45, variable displacement, single flow, engine mounted hydraulic pump		
□ HPE-V75	Parker VP1-75, variable displacement, single flow, engine mounted hydraulic pump		
□ PTR-D	Gearbox PTO for plug-in pump, 0.71xeng speed		
□ PTR-DH	Gearbox driven high speed PTO for one plug-in hydraulic pump		
■ Standard Equipment		□ Optional Equipment	

For more detailed information about cab and powertrain equipment, please refer to separate specification sheets.

For all possible options and combinations of options please consult your Volvo sales contact who can create a specification to match your requirements using the Volvo Sales Support system (VSS).

The factory reserves the right to modify design and change equipment without previous notification. The specification can vary from country to country.

MODEL RANGE

FH 16 6x4 Tractor - High T Ride - N3 Cranked front axle for on road work FH 64 T6HT

<input type="checkbox"/> LCS	Lane change support	<input type="checkbox"/> DST-LUX1	heated, ventilated Deluxe suspended drivers seat features: electrical adjustment with memory function, seatbelt in seat with heated & ventilated cushions
<input type="checkbox"/> DAS-W	Driver Alert Support system	<input type="checkbox"/> DST-LUX2	Deluxe suspended drivers seat features: electrical adjustment with memory function, seatbelt in seat and heated cushions
<input type="checkbox"/> RSSENS-W	Rain sensing windscreen wipers	<input type="checkbox"/> SBD-RED	Red seat belts
<input checked="" type="checkbox"/> CU-ECC	Electrically controlled air conditioning with sun sensor	<input type="checkbox"/> SBPRE-DS	Driver seat belt pretensioner
<input type="checkbox"/> CU-ECC2	Electrically controlled air conditioning with sun sensor, mist sensor, air quality sensor and carbon filter	<input type="checkbox"/> PST-BAS1	Passenger seat - Fixed non suspended fold up with seatbelt mounted in cab
<input checked="" type="checkbox"/> IMMOBIL	Thatcham H2 approved immobiliser	<input type="checkbox"/> PST-BSL1	Passenger seat - Sliding non suspended fold up with seatbelt mounted in cab
<input type="checkbox"/> ALARM-B	Thatcham H1 approved vehicle alarm - Cab only	<input type="checkbox"/> PST-CF4	Passenger seat - Comfort suspended with seatbelt mounted in seat
<input type="checkbox"/> ALARM-E	Enhanced vehicle alarm - Thatcham H1 approved - Cab plus external sensor for body/trailer	<input type="checkbox"/> PST-CF5	Passenger seat - Comfort suspended & heated with seatbelt mounted in seat
<input type="checkbox"/> ALCOLOCK	Alcolock	<input type="checkbox"/> PST-RX1	Passenger seat - Fixed non suspended, features: 90 degree rotation and tilt function with seatbelt mounted in cab
<input type="checkbox"/> AMPL400	Radio amplifier, 8 channel, 400 W with subwoofer Located in right hand external storage box	<input type="checkbox"/> PST-RX2	Passenger seat - Fixed non suspended, features: 90 degree rotation, tilt and heated functions with seatbelt mounted in cab
<input type="checkbox"/> PHONE-PK	Telephone preparation kit (antenna, antenna attachm. cable incl.)	<input type="checkbox"/> PST-STD2	Passenger seat - Fixed non suspended with seatbelt mounted in cab
<input checked="" type="checkbox"/> WLIFT-AD	Electrical window lift, automatic up/down driver side	<input checked="" type="checkbox"/> PST-STD4	Passenger seat - Standard suspended with seatbelt mounted in cab
<input type="checkbox"/> ISUNS-BS	Side interior sun visor on both sides	<input type="checkbox"/> SBPRE-PS	Passenger seat belt pretensioner
<input checked="" type="checkbox"/> ISUNS-DS	Driver's side interior sun visor	<input checked="" type="checkbox"/> ARMRE-BB	Two armrests on both driver and passenger seat.
<input type="checkbox"/> ISUNF-RE	Electrically operated textile interior sun blind	<input type="checkbox"/> ARU-LEA	Leather upholstered armrest
<input checked="" type="checkbox"/> ISUNF-RM	Manually operated textile interior sun blind	<input checked="" type="checkbox"/> GRABHI-L	Leather covered instep cab grab handle
<input checked="" type="checkbox"/> CSPL-BX	Lower center dash open storage box	<input type="checkbox"/> FMAT-RUB	Rubber floor mats
<input type="checkbox"/> CSPL-BXD	Lower centre dash drawer	<input checked="" type="checkbox"/> FMAT-TX2	Textile and rubber floor mats
<input type="checkbox"/> CSPU-SDR	One open storage and one drawer - behind push open lid - in upper part of the centre dash panel	<input checked="" type="checkbox"/> LBK80F	Lower fixed bunk with wide middle section 815 in the centre x 2000 mm
<input checked="" type="checkbox"/> CSPU-SS	Two open storages - behind push open lid in upper part of the centre dash panel	<input type="checkbox"/> LBK80FRE	Lower electrically operated recline bunk with wide middle section 815 in the centre x 2000 mm
<input type="checkbox"/> ADFS	Two extra DIN slots in front shelf - can be fitted with card or drawer available as an accessory	<input type="checkbox"/> LBK80FRM	Lower manually operated recline bunk with wide middle section 815 in the centre x 2000 mm
<input checked="" type="checkbox"/> BUPALARM	Reverse alarm	<input type="checkbox"/> MATL-FI	Firm lower bunk pocket sprung mattress
<input type="checkbox"/> BUPMON	Back up monitor with built in 7" screen on dash and one colour camera supplied loose for fitment by bodybuilder.	<input checked="" type="checkbox"/> MATL-SF	Lower flexizone mattress - semi-firm, pocket springs up to 100kg - 16 stone
<input type="checkbox"/> RTOLL-PK	Road toll PREPARATION kit for trucks operating with "Toll Collect" in Germany	<input type="checkbox"/> MATL-SO	Lower flexizone mattress - soft, pocket springs up to 85kg - 13.5 stone
<input type="checkbox"/> LOADIND	Load indicator with central dashboard display	<input type="checkbox"/> OLMAT-BA	35mm mattress overlay protector
<input type="checkbox"/> REMC-MF	Multi-functio wireless remote control	<input checked="" type="checkbox"/> OLMAT-PR	50mm premium mattress overlay protector
<input type="checkbox"/> FIREXT3S	3kg fire extinguisher mounted on seat base	<input type="checkbox"/> TBK60AD	Height adjustable foldable top bunk 600 x 1900mm
<input type="checkbox"/> WARNVEST	High visibility warning vest - no sleeves	<input type="checkbox"/> TBK60F	Fixed foldable top bunk 600 x 1900mm
<input type="checkbox"/> AIDKIT	First aid kit	<input type="checkbox"/> TBK70AD	Height adjustable foldable top bunk 700 x 1900mm
<input type="checkbox"/> AIDKIT1B	First aid kit	<input type="checkbox"/> TBK70F	Fixed foldable top bunk 700 x 1900mm
<input type="checkbox"/> WARNLAMP	Portable warning lamp	<input type="checkbox"/> PH-CAB2	1.8kW Air to air night heater
<input type="checkbox"/> LAMP-IN	Inspection lamp	<input type="checkbox"/> PH-ENGCA	Engine and cab night heater
<input type="checkbox"/> BULBKIT	Bulb and fuse kit	<input checked="" type="checkbox"/> SLCP-BAS	Basic sleeper control panel - includes interior light, parking heater, roof hatch and door lock
<input checked="" type="checkbox"/> WRITEPAD	Writing pad	<input type="checkbox"/> SLCP-LUX	Luxury sleeper control panel - includes interior light, parking heater/cooler, roof hatch, door lock, alarm clock, window and radio
<input type="checkbox"/> UPHTRI04	Interior trim: Seats: Black/green textile insert, black leather bolster & green/yellow leather side insert Cab walls: Soft textile with matching grey, green and black colours	<input type="checkbox"/> SAFE	Safe box for driver's personal items
<input type="checkbox"/> UPHTRI05	Interior trim: Seats: Light grey leather insert and black leather bolster Cab walls: In matching grey vinyl	<input type="checkbox"/> RUS-BAS	Rear cab upper storage 154 litres - 300 mm high
<input type="checkbox"/> UPHTRI08	Interior trim: Seats: Black with green perforated leather insert and yellow side edging Cab walls: soft textiles in matching grey, green and black	<input type="checkbox"/> RUS-HIG	Rear cab upper storage 245 litres - 440 mm high
<input checked="" type="checkbox"/> DST-CF4	Driver seat, comfort, suspended, belt in seat	<input type="checkbox"/> TABLE	Folding and height adjustable table - on lower bunk
<input type="checkbox"/> DST-CF5	Driver seat, comfort, suspended, belt in seat, electrically heated	<input type="checkbox"/> REFR-RUS	28 litre rear upper wall mounted refrigerator with dividers
<input type="checkbox"/> DST-CF6	Driver seat, comfort, suspended, belt in seat, electrically heated, ventilated	<input type="checkbox"/> REFRIG	33 litre under bunk mounted fridge / freezer with dividers
		<input type="checkbox"/> MICRO-PK	Preparation kit for microwave oven (wiring)
		<input type="checkbox"/> BOTH-D	One bottle holder under dashboard centre section
		<input type="checkbox"/> BOTH-DL	Two bottle holders, one under dashboard centre section and one mounted to the under bunk drawer

Standard Equipment

Optional Equipment

For more detailed information about cab and powertrain equipment, please refer to separate specification sheets.

For all possible options and combinations of options please consult your Volvo sales contact who can create a specification to match your requirements using the Volvo Sales Support system (VSS).

The factory reserves the right to modify design and change equipment without previous notification. The specification can vary from country to country.

MODEL RANGE

FH 16 6x4 Tractor - High T Ride - N3 Cranked front axle for on road work FH 64 T6HT

- BOTH-L** One bottle holder mounted to the under bunk drawer
 - COFMA-PK** Coffee maker, preparation kit.
 - INLI-BAS** Basic white interior lights
 - INLI-NL** Interior white and red night light with no dimmer
 - INLI-NLD** Interior white and red night light with dimmer function
 - ARL-FLEX** Two flexible reading lamps (snake lamps)
 - RH-EE** Without roof hatch
 - RH-ETR** Roof & escape hatch - Electrically operated, tinted glass with rear opening
 - RH-MTR** Roof & escape hatch - Manually operated, tinted glass with rear opening
 - URH** Without roof hatch
 - SWIND-BS** Extra side window on both sides behind "B" pillar
 - VANMIR** Vanity mirror in front shelf
 - AS-FUS** Extra shelf in front upper storage compartments
 - INFOT-PK** Preparation kit for the mounting of a flat screen TV in cab above the driver's door, includes bracket, electrical and speaker connections
- ### CAB EXTERIOR
- EXTL-BAS** Basic exterior finish - Matt Volvo badges, grey instep, bumper, bumper spoiler, mirror housing and sun visor
 - EXTL-ENH** Enhanced exterior finish - Chrome style Volvo badges, painted instep, bumper, bumper spoiler if specified, mirror housing and sun visor
 - GLAS-TIN** Tinted windows.
 - DGLAS-H** Tempered door glass
 - DGLAS-L** Laminated door glass
 - LOCK-REM** Central locking with remote control
 - BUMP-B** Plastic front bumper
 - BUMP-B2** Steel front bumper
 - BUMP-HD** Heavy duty front bumper
 - BUMP-SP** Front bumper spoiler
 - GUARD-EH** Engine guard to protect sump and engine hoses
 - BUGNET** Insect screen in front of radiator
 - CTILT-P-E** Electrically operated hydraulic cab tilt
 - CTILT-P-M** Manually operated hydraulic cab tilt
 - FCABS-A** Front cab - Air suspension
 - FCABS-M** Front cab - Mechanical spring suspension
 - RCABS-A** Rear cab suspension - Air
 - RCABS-M** Rear cab suspension - Mechanical spring
 - HCC-INEX** Exterior and interior hood catch control
 - MIRCOMF** Electrically heated and operated main mirror and wide angle mirrors on both sides, manual kerb view mirror on passenger side
 - MIRSTD** Electrically heated exterior mirrors with wide angle mirror on both sides and kerb view mirror on passenger side
 - AMIR-F20** Auxiliary front view mirror with a 200mm radius
 - SUNV-H** External smoke grey sunvisor
 - AD-ROOF** Roof air deflector
 - AD-SIDEL** Side air deflector extension panels
 - HL-BASIC** Halogen H7 head lamps
 - HL-CLEAN** Head lamp cleaner - washer jets
 - HLP-ST** Headlamp protection
 - HL-ADJ** Adjustable headlights with switch in the cab
 - DRIVL2** Two spot lamps
 - UDRIVL** Without auxiliary driving lights
- FOGL-WC** Front fog lights
 - CL-STAT** Static corner lights
 - ASL-RF2** Two Hella H11 70W spotlamps in sign box - only available with the basic headlight and no lower driving lights.
 - BEACO2F** Two front roof mounted amber beacon rotating warning lamps
 - BEACO2R** Two rear roof mounted (on accessory bracket) amber beacon flashing warning LED lamps
 - BEACON-P** Roof beacon wire preparation
 - BEACONA4** Four roof mounted (2 front/2 rear) amber beacon rotating warning lamps
 - CABPT-R1** Single outlet for roof mounted accessories
 - CABPT-R2** Twin outlets for roof mounted accessories.
 - SPOTP-F** Spotlamp preparation in front, max 280W
 - SPOTP-R** Spotlamp preparation on roof, max 280W
 - SPOTP-RF** Spotlamp preparation on cab roof and in cab front, max 2x280W
 - CSGN-ENG** Engine size and power headboard logo
 - CSGN-GTR** "Globetrotter" headboard logo
 - HORN-F1S** Single tone Jericho air horn chassis mounted
 - HORN-R2S** Two roof mounted air horns
 - ANT-CBR** Roof mounted antenna for CB radio, single aerial
 - ACCBR-AP** Front, middle & rear roof mounted accessory brackets
 - ACCBR-F** Front roof mounted accessory bracket
 - ACCBR-FM** Front & middle roof mounted accessory brackets
 - ACCBR-FR** Front & rear roof mounted accessory brackets
 - ACCBR-M** Middle roof mounted accessory bracket
 - ACCBR-R** Rear roof mounted accessory bracket
 - ACCBR-RM** Rear & middle roof mounted accessory brackets
 - STUC-B** Left and right storage compartments under cab
 - STUC-L** Left storage compartment under cab
 - STUC-R** Right storage compartment under cab
 - RFCAR-BC** Rear mudwing carrier, back of cab
 - LADDER** Ladder back of cab
 - REFS-TW** White cab conspicuity markings by packed in cab
 - REFS-TY** Yellow cab conspicuity markings by packed in cab
- ### SUPERSTRUCTURE PREPARATIONS
- 5WM-ISHD** Heavy duty 5th wheel mounting with 16 mm mounting plate
 - 5WM-ISOH** 5th wheel subframe 90mm high above chassis frame
 - 5WH150** Fifth wheel leg-height 150 mm
 - 5WH185** Fifth wheel leg-height 185 mm
 - 5WH190** Fifth wheel leg-height 190 mm
 - 5WH290** Fifth wheel leg-height 290 mm
 - 5WT-JO11** Jost JSK 38G cast heavy duty fixed fifth wheel
 - 5WT-JO8** Jost JSK 37 cast fifth wheel
 - 5WT-JOHD** Jost JSK 38C cast heavy duty fifth wheel
 - 5WT-SH** SAF-Holland/+GF+ SK-S 36.20 cast fixed fifth wheel
 - 5WT-SH2** SAF-Holland/+GF+ SK-HD 38.36 cast heavy duty fixed fifth wheel
 - 5WL-S1** Fifth wheel lubrication - locking mechanism and top plate
 - TCIND** Trailer connection indication with sensors for height, kingpin and coupling lock
 - RDECK** Catwalk & step
 - RDECK-M** Rear catwalk 760mm
 - SRWL-PK** Wiring preparation for side & rear work/reverse lamps on side of chassis and a three-position switch, maximum 280W
 - SWL-2RW** Two H3 70W white rear chassis mounted (LH/RH side) working lamps and a 2-position switch (On/Off)
 - SWL-PK** Wiring preparation for side work/reverse lamps on side of chassis and a three-position switch, maximum 280W
 - WL-TA1W** White coupling light
 - WLC-H2W** Two H3/70W white working lamps high mounted on the back of

Standard Equipment Optional Equipment

For more detailed information about cab and powertrain equipment, please refer to separate specification sheets.

For all possible options and combinations of options please consult your Volvo sales contact who can create a specification to match your requirements using the Volvo Sales Support system (VSS).

The factory reserves the right to modify design and change equipment without previous notification. The specification can vary from country to country.

MODEL RANGE

FH 16 6x4 Tractor - High T Ride - N3 Cranked front axle for on road work FH 64 T6HT

- **WLC-PKH** cab
Preparation kit, cables and switch for high mounted working lamps back of cab
- **WLC-PKL** Preparation kit, cables and switch for low mounted working lamps back of cab
- **WLC-PKLH** Preparation kit - cables and switch for low and high mounted working lamps back of cab.
- **ECBB-BAS** Body builder electrical centre without body builder module
- **ECBB-HIG** Body builder electrical centre with body builder module
- **BBCHAS1** One 7-pole connector for Body builder interface
- **BBCHAS3** Three 7-pole connectors for Body builder interface
- **BEPR-T2** Body builder electrical software preparation for tipper with remote control
- **EXSTER** External steering control, with VDS and bodybuilder module
- **TD-LED** Trailer detection with LED sensing
- **AUXL-SPK** Electrical preparation kit - wiring and switch for snow plough lights
- **TAILPRE2** Tail lift preparation kit, wireless remote operation
- **TAILPREP** Taillift preparation kit - cab switch and warning in driver display
- **AESW2** Two Body builder bistable electrical switches (marked AUX1 / AUX2)
- **AESW2PK** 2 Body builder bistable el.switches (marked AUX1/AUX2) and prep. for 4 more switches
- **AUXSW-4** Wiring for 4 extra switches (from Body builder electrical centre to switch positions)

DELIVERY SERVICES

- **TGW-3GWL** Telematics gateway with GSM/GPRS/3G modem and wireless lan WLAN
- **FMS-PK** Fleet Management System gateway
- **DRUT** "My Truck App" Two years subscription to driver utility application

VOLVO

Volvo Truck Corporation
volvotrucks.com