



DIECI

DEDALUS

28.7 | 30.7 | 28.9 | 30.9



NEW CONSTRUCTION *THE CONSTRUCTION SITE IN YOUR HANDS*

The needs on construction sites are changing: management costs must be reduced, the vehicles productivity must be continuously improved. And Dieci meets its customers new requirements, evolving its own Product Offering with a new proposal of models that completes the Construction range.

More versatile vehicles - to perform different jobs - more **compact**, more **reliable**, **easy** and intuitive to use, while guaranteeing the maximum safety at all times. Maintenance is very easy thanks to **durable** components and materials that require replacement after several hundred hours of use. Modern vehicle, even in the lines, with the new Giugiaro Design cab enriched with materials derived from Truck and Automotive sectors that enhance its interiors. The **DEDALUS** models, with 2.9 to 3.0 ton load capacity and 7 to 9 meter lifting height, are particularly suitable to be used in road maintenance works, in town centers and in narrow passageways where agility is essential. The strengths of these compact and dynamic vehicles are their manageability and speed of movement. The wide range of equipment available allow to carry out various operations: with a telehandler, **you have the whole construction site in your hands.**

AGILE AND RESPONSIVE

WORK FAST

- Easy and intuitive to use: the boom, forward and reverse movements are controlled by a **single joystick**, in a precise and proportional way independent from the load, that allows you to work faster
- **Joystick with integrated FNR**, with capacitive sensor to automatically detect the operator's presence
- **Extremely compact and dynamic** vehicles in all operating conditions, with boom retracted or extended
- **High-performance Kubota engines**: quick vehicle and responsive at every command
- High efficiency pump: **reactive boom** always ready, **precise and fast movements** even at high power



DEDALUS 28.7

- ↑ Height 6,35 m
- ⚖ Capacity 2900 kg
- ⚡ Power 79,5 kw@2200 rpm
- 📊 Mass 6500 kg



DEDALUS 30.7

- ↑ Height 6,35 m
- ⚖ Capacity 3000 kg
- ⚡ Power 79,5 kw@2200 rpm
- 📊 Mass 6500 kg



DEDALUS 28.9

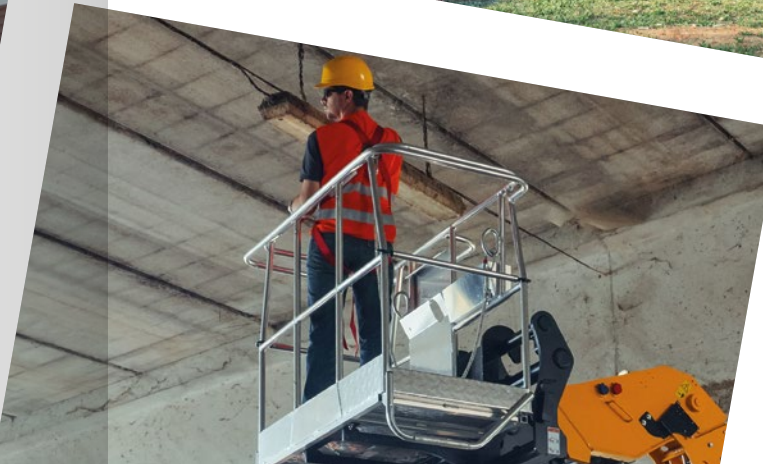
- ↑ Height 8,65 m
- ⚖ Capacity 2900 kg
- ⚡ Power 79,5 kw@2200 rpm
- 📊 Mass 6680 kg



DEDALUS 30.9

- ↑ Height 8,65 m
- ⚖ Capacity 3000 kg
- ⚡ Power 79,5 kw@2200 rpm
- 📊 Mass 6680 kg





EASY AND VERSATILE

INTELLIGENT COMMANDS

- Vehicle information and diagnostic menu browsable in the 3.5" display
- Dashboard with clear instrument panel and **well-distributed controls**
- **Automatic equipment recognition:** the vehicle configures itself automatically recognizing the equipment attached

WIDE RANGE OF EQUIPMENT

- The new Dedalus vehicles have been designed to use the **various equipment** needed to carry out **all the work required by a construction site:** forks, loaders, lifting hooks, jibs with winches, grippers, material baskets, mixing buckets, concrete ladles, sweepers, salt spreader, snowplow blades
- **Pre-arrangement for man basket:** the new CAN BUS keypad allows the operator to operate the boom and the aerial platform directly from the basket, in total autonomy and full safety (complies with the EN 280 standard)

PRACTICAL AND RELIABLE

FACILITATED DRIVING AND MAINTENANCE

- **Four driving wheels** and four steering wheels
- **Three steering modes** which can be selected by the operator: concentric, front and crab
- Hydraulic oil change every **2000 hours**
- **Easy to reach filters** in the engine compartment
- Sturdy and durable boom assembly: **tested reliability** for years of multiple applications and uses
- **Standard battery isolation switch**, well protected and quickly accessible from the engine compartment



STABLE AND SAFE

- **EN15000 anti-tipping system**: aggravating movements blocked in the event of overload and load level always in evidence
- **Arm too high** function: forward movement speed limited automatically when the boom is raised
- **Increased lateral stability**: more rigid chassis and new tires
- **ROPS and FOPS Cab**: operator protection guaranteed thanks to the dimensional stability of the cab
- **Automatic electric parking brake**, even with the engine off: hill-start assist always available
- **Microswitch Sensor** under the seat: running only with driver on board

ARM TOO HIGH

ROPS - FOPS

TECHNOLOGICAL EFFICIENCY

DIECI HARDWARE AND SOFTWARE

- **New control software** developed by the Dieci R&D department: advanced boom, vehicle, engine, transmission and exhaust treatment control
- **Hydrostatic transmission** with fully electronic control
- **Low consumption, high efficiency, optimized yield and maximum safety** in all the vehicle conditions of use
- **ECO function:** maximum speed already at 1900 rpm, automatically managed by the control unit according to the power required by the operator
- High-strength steel structures produced internally by Dieci: **top market performance**

NEW SOFTWARE

LOW CONSUMPTION



COMFORT AND CONTROL

NEW GIUGIARO DESIGN

- **New Giugiaro Design cab:** fine interiors derived from the Truck and Automotive sectors
- **More space** for the operator's legs
- Adjustable steering column and armrest
- **Three seat suspension systems** to choose from: mechanical, pneumatic and low frequency pneumatic
- Soundproofing roof, dashboard and mat
- Large windows
- Integrated **LED work lights** for maximum visibility even at night: on the cab, boom and perimeter
- Rear-view mirrors that allow all-round visibility and **optional cameras**
- Direction of travel and boom controlled by the **new ergonomic joystick**

TECHNICAL DATA

PERFORMANCE

Vehicle model	DEDALUS 28.7 - GD	DEDALUS 28.9 - GD	DEDALUS 30.7 - GD	DEDALUS 30.9 - GD
Maximum capacity	2900 kg (6393 lb)	2900 kg (6393 lb)	3000 kg (6614 lb)	3000 kg (6614 lb)
Maximum lifting height	6,35 m (20,8 ft)	8,65 m (28,4 ft)	6,35 m (20,8 ft)	8,65 m (28,4 ft)
Pull-out force	5800 daN (13039 lbf)	5800 daN (13039 lbf)	5800 daN (13039 lbf)	5800 daN (13039 lbf)
Towing force	5800 daN (13039 lbf)	5800 daN (13039 lbf)	5800 daN (13039 lbf)	5800 daN (13039 lbf)
Maximum climb angle	40%	40%	40%	40%
Unladen weight	6500 kg (14330 lb)	6680 kg (14727 lb)	6500 kg (14330 lb)	6680 kg (14727 lb)
Max speed (referred to wheels with maximum permitted diameter)	40 km/h (24,9 mph)	40 km/h (24,9 mph)	40 km/h (24,9 mph)	40 km/h (24,9 mph)

ENGINE

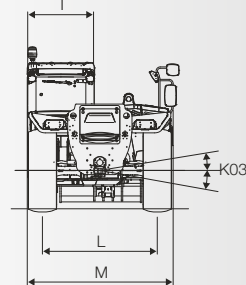
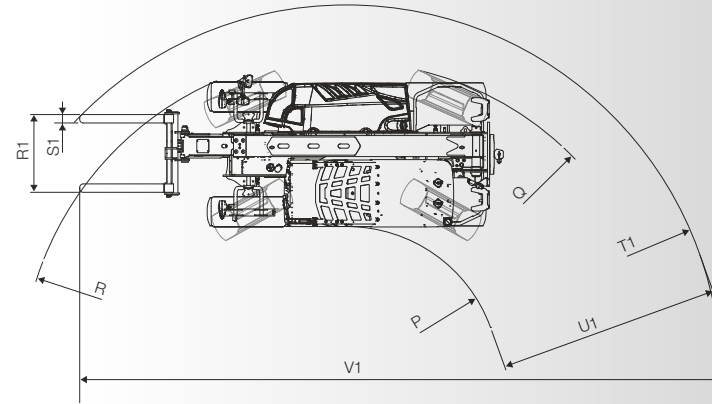
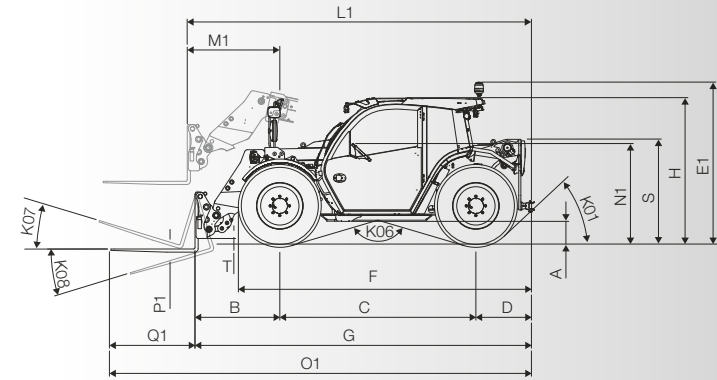
Vehicle model	DEDALUS 28.7 - GD	DEDALUS 28.9 - GD	DEDALUS 30.7 - GD	DEDALUS 30.9 - GD
Brand	Kubota	Kubota	Kubota	Kubota
Nominal power	79,5 kW (107 HP)	79,5 kW (107 HP)	79,5 kW (107 HP)	79,5 kW (107 HP)
@rpm	2200 rpm	2200 rpm	2200 rpm	2200 rpm
Displacement	3769 cm ³ (230 in ³)	3769 cm ³ (230 in ³)	3769 cm ³ (230 in ³)	3769 cm ³ (230 in ³)
Emission standard	Stage IV/Tier 4f	Stage IV/Tier 4f	Stage IV/Tier 4f	Stage IV/Tier 4f
Exhaust gas treatment	DOC+DPF+SCR	DOC+DPF+SCR	DOC+DPF+SCR	DOC+DPF+SCR
Intake	Turbocharger after-cooler	Turbocharger after-cooler	Turbocharger after-cooler	Turbocharger after-cooler

HYDRAULIC SYSTEM

Hydraulic pump type	Gear pump for power steering and movements
Hydraulic pump capacity	100 L/min (26,4 gal/min)
Max. operating pressure	24,5 MPa (3553 psi)
Distributor control	4 in 1 proportional Joystick with FNR

TRANSMISSION

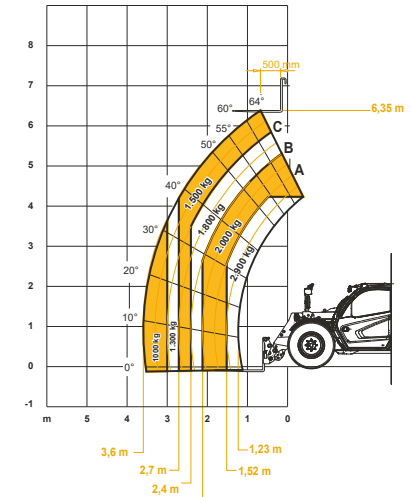
Transmission type	Hydrostatic with electronic control with variable displacement pump and ECO function
Hydraulic motor	Hydrostatic with continuous automatic adjustment
Reversal	With electronic control operated with vehicle in motion
Inching	With electronic pedal for controlled forward movement
Transmission gearbox	Servo-controlled 2-speed



DIMENSIONS

	DEDALUS 28.7 - GD	DEDALUS 28.9 - GD	DEDALUS 30.7 - GD	DEDALUS 30.9 - GD
A	300 mm (11,8 in)	300 mm (11,8 in)	300 mm (11,8 in)	300 mm (11,8 in)
B	1211 mm (47,7 in)	1247 mm (49,1 in)	1211 mm (47,7 in)	1247 mm (49,1 in)
C	2800 mm (110,2 in)	2800 mm (110,2 in)	2800 mm (110,2 in)	2800 mm (110,2 in)
D	708 mm (27,9 in)	708 mm (27,9 in)	708 mm (27,9 in)	708 mm (27,9 in)
E1	2312 mm (91 in)	2312 mm (91 in)	2483 mm (97,8 in)	2483 mm (97,8 in)
F	4050 mm (159,4 in)	4050 mm (159,4 in)	4050 mm (159,4 in)	4050 mm (159,4 in)
G	4720 mm (185,8 in)	4755 mm (187,2 in)	4720 mm (185,8 in)	4755 mm (187,2 in)
H	2040 mm (80,3 in)	2040 mm (80,3 in)	2210 mm (87 in)	2210 mm (87 in)
I	965 mm (38 in)	965 mm (38 in)	965 mm (38 in)	965 mm (38 in)
K01	42°	42°	42°	42°
K03	8°	8°	8°	8°
K06	147°	147°	147°	147°
K07	18°	22°	18°	22°
K08	129°	124°	129°	124°
L	1640 mm (64,6 in)	1640 mm (64,6 in)	1640 mm (64,6 in)	1640 mm (64,6 in)
L1	4832 mm (190,2 in)	4852 mm (191 in)	4832 mm (190,2 in)	4852 mm (191 in)
M	2060 mm (81,1 in)	2060 mm (81,1 in)	2060 mm (81,1 in)	2060 mm (81,1 in)
M1	1322 mm (52 in)	1358 mm (53,5 in)	1322 mm (52 in)	1358 mm (53,5 in)
N1	1385 mm (54,5 in)	1385 mm (54,5 in)	1555 mm (61,2 in)	1555 mm (61,2 in)
O1	5920 mm (233,1 in)	5955 mm (234,4 in)	5920 mm (233,1 in)	5955 mm (234,4 in)
P	1807 mm (71,1 in)	1807 mm (71,1 in)	1807 mm (71,1 in)	1807 mm (71,1 in)
P1	45 mm (1,8 in)	45 mm (1,8 in)	45 mm (1,8 in)	45 mm (1,8 in)
Q	4168 mm (164,1 in)	4168 mm (164,1 in)	4168 mm (164,1 in)	4168 mm (164,1 in)
Q1	1200 mm (47,2 in)	1200 mm (47,2 in)	1200 mm (47,2 in)	1200 mm (47,2 in)
R	4311 mm (169,7 in)	4311 mm (169,7 in)	4311 mm (169,7 in)	4311 mm (169,7 in)
R1	1110 mm (43,7 in)	1110 mm (43,7 in)	1110 mm (43,7 in)	1110 mm (43,7 in)
S	1495 mm (58,9 in)	1495 mm (58,9 in)	1495 mm (58,9 in)	1495 mm (58,9 in)
S1	120 mm (4,7 in)	120 mm (4,7 in)	120 mm (4,7 in)	120 mm (4,7 in)
T	80 mm (3,1 in)	160 mm (6,3 in)	80 mm (3,1 in)	160 mm (6,3 in)
T1	5090 mm (200,4 in)	5116 mm (201,4 in)	5090 mm (200,4 in)	5116 mm (201,4 in)
U1	3289 mm (129,5 in)	3316 mm (130,6 in)	3289 mm (129,5 in)	3316 mm (130,6 in)
V1	8900 mm (350,4 in)	8962 mm (352,8 in)	8900 mm (350,4 in)	8962 mm (352,8 in)

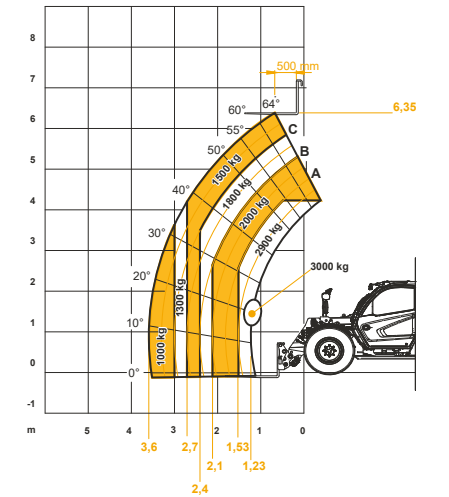
MAX
2900 kg / 6393 lb



EN1459 Annex-B

28.7

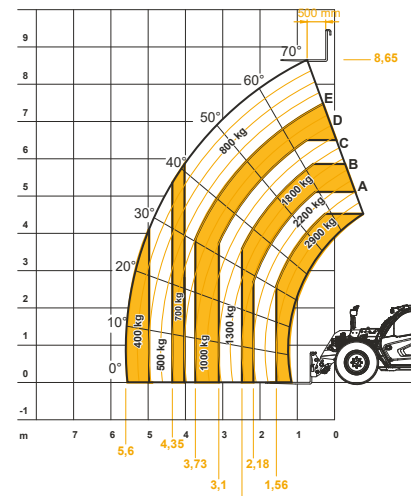
MAX
3000 kg / 6614 lb



EN1459 Annex-B

30.7

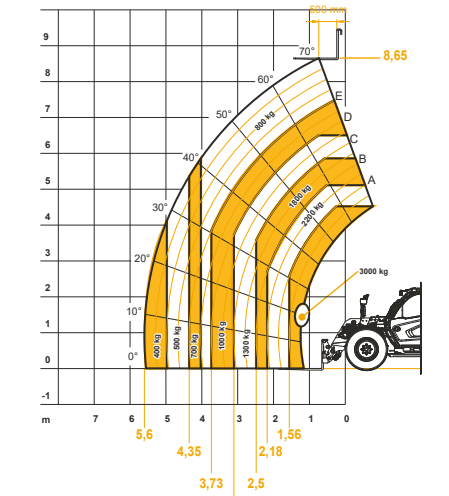
MAX
2900 kg / 6393 lb



EN1459 Annex-B

28.9

MAX
3000 kg / 6614 lb



EN1459 Annex-B

30.9

DIECI SERVICE

ASSISTANCE SERVICE ALWAYS AND EVERYWHERE

General headquarters in Emilia Romagna - over 135,000 square meters and about 400 people employed - and 3 branches in Germany, United Kingdom, France: Dieci is present in over 70 Countries with **an extensive network of over 400 dealers** and authorized service centers.

Dieci Service, our global technical assistance service, is developed on this basis: our customers are assisted directly by specialized technicians and every request is satisfied in a very short time. Dieci Service, **within a few hours, can provide interventions and spare parts all over the world.**

Visit www.dieci.com to find the dealer closest to you.

400 DEALERS

70 COUNTRIES

3 BRANCHES



DEDALUS

28.7 | 30.7 | 28.9 | 30.9

DIECI

www.dieci.com

