

D

D 16 WIDE 4X2 R 280 E6

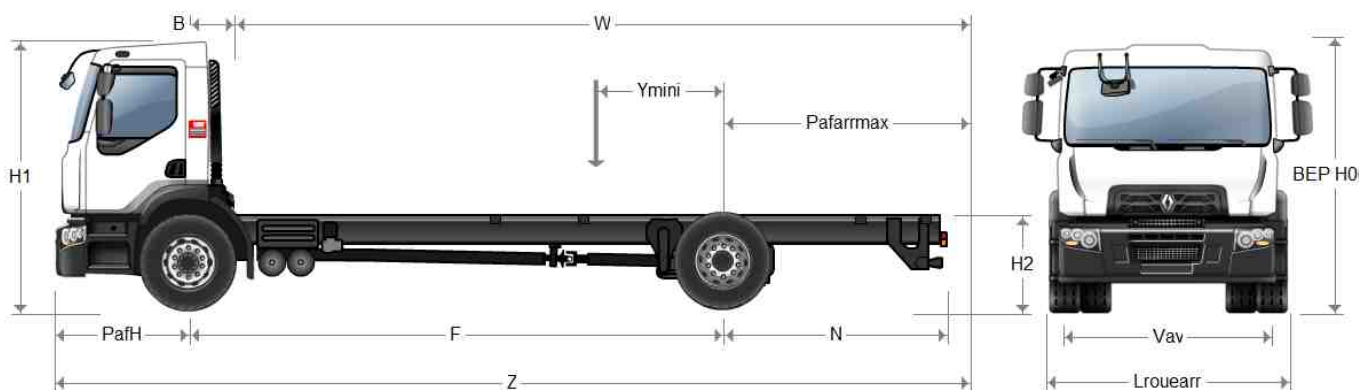
RIGID

Model code : CST_20DJ086STD21

GVW 16T / GTW 19.5 T

DAY CAB

REAR AIR SUSPENSION



WEIGHTS

Wheelbase		mm	3.500	3.700	3.900	4.100	4.300	4.500	4.750	5.000	5.250	5.500	5.800	6.100	6.450	6.800
Maximum Weight (registered)	Total (GVW)	Kg	0													
Payload	(C)	Kg	0													
Kerb Weight	total	Kg	0													
Chassis cab kerb weight	Front axles (Liftable axle down)	Kg	0													
	Rear axles (Liftable axle down)	Kg	0													
Maximum Weight (registered)	Front axle 1	Kg														
	rear axle 1	Kg	0													
Maximum Weight (technical)	total (CoC: 16.1.)	Kg														
	front axles (CoC: 16.2.)	Kg														
	rear axles (CoC: 16.2.)	Kg														

To maintain the driving comfort (lightness of steering, braking) of vehicles in all load and driving conditions once the vehicle is bodied, the following minimum front axle load(s) must be respected: 3500 kg
The weight of the vehicle is an average indicative weight of its STANDARD build, filled with urea, oil, windscreen wash liquid and coolant at 100%, fuel level at 90% and with driver (75kg).

LENGTHS

Wheelbase		mm	3.500	3.700	3.900	4.100	4.300	4.500	4.750	5.000	5.250	5.500	5.800	6.100	6.450	6.800
Body length	Min. (Wmin / BEP L105)	mm	0													



Wheelbase		mm	3.500	3.700	3.900	4.100	4.300	4.500	4.750	5.000	5.250	5.500	5.800	6.100	6.450	6.800
	Max. (Wmax / BEP L105)	mm								0						
Front Overhang	(H / BEP L016)	mm								0						
Cab entry	(B / BEP L102)	mm								0						
Wheelbase	(F / BEP L011)	mm								0						
Technical wheelbase	(F' / BEP L015)	mm								0						
Rear overhang	Chassis	mm								0						
Overall Chassis Length	(A / BEP L032+L016)	mm								0						
Centre of Gravity of load	Min. (Ymin / BEP L104)	mm								0						
	Max. (Ymax / BEP L103)	mm								0						
Min Overall Length (Z)	(Zmin / BEP L001)	mm								0						
Max Overall Length (Z)	(Zmax / BEP L001)	mm								0						
Bodywork rear overhang	Min. (Xmin / BEP L017)	mm								0						
	Max. (Xmax / BEP L017)	mm								0						

HEIGHTS

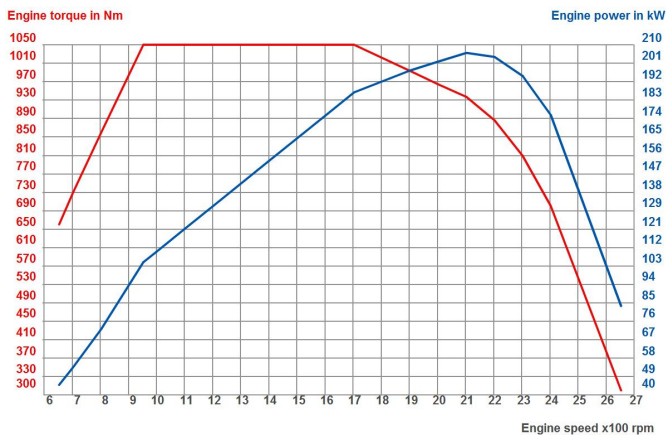
Wheelbase		mm	3.500	3.700	3.900	4.100	4.300	4.500	4.750	5.000	5.250	5.500	5.800	6.100	6.450	6.800
Cab height (unladen)	(O)	mm								0						
Max. exterior height unladen	(BEP H001)	mm								0						
Side member height	(BEP H032)	mm														
Ground clearance, laden	Front (U1 / BEP H015)	mm								0						
	Rear (U3 / BEP H016)	mm								0						
Frame top height at front axle	Unladen (H1 / BEP H035)	mm														
	Laden (H1 / BEP H036)	mm														
Frame top height at drive axle	Unladen (H2 / BEP H037)	mm								0						
	Laden (H2 / BEP H038)	mm								0						
Frame top height at the rear of the frame	Unladen (HN)	mm														
	Laden (HN)	mm														

WIDTHS

Wheelbase		mm	3.500	3.700	3.900	4.100	4.300	4.500	4.750	5.000	5.250	5.500	5.800	6.100	6.450	6.800
Max. cab width	(BEP W002)	mm								0						
Frame width	Front (BEP W035)	mm								0						
	Rear (BEP W036)	mm								0						



Wheelbase		mm	3.500	3.700	3.900	4.100	4.300	4.500	4.750	5.000	5.250	5.500	5.800	6.100	6.450	6.800
Width at rear wheels	Rear axle 1 (V3 / BEP W003.1)	mm	Rotation: as engine Max. torque: 600 Nm													
Max. power: 206 kW at 2100 rpm	Front (V1 / BEP W013.1)	mm	Ratio: 1/1 Position 12 o'clock 0													
Max. torque: 1050 Nm from 950 rpm to 1600 rpm	Rear engine (V2 / BEP W013.2)	mm	CLUTCH 0													
6-cylinder in-line diesel engine - 4 valves per cylinder - Rear-mounted timing	COMMON RAIL high-pressure direct fuel-injection 2000 bar Bore 110 mm - stroke 135 mm - Capacity 7.7 litres OTHER geometry turbocharger		Single-plate clutch, diameter 430 mm													
Exhaust gas recirculation	Direction of rotation (seen from G/B end)	mm	GEARBOX													
Oil capacity: 27 L including filtration	Side member oil sump (BEP W034)	mm	Optidriver AT 2412F gearbox (14.94 - 1) with automatic clutch. Aluminium housing. Max. torque 2400 Nm, 12 forwards gears and 3 reverse gears. Steering wheel-mounted operating mode selection (automatic/manual) via gear shift selector. Gearshifting strategy optimised for DISTRIBUTION													
Cooling circuit capacity: 17 litres	Antifreeze protection: +40 °C	mm														
EEC EURO VI pollution control level	Compact post-treatment system (7th injector, catalytic converter, DPF, SCR)	mm														
Reduction in engine power of 25% when vehicle emissions are above the legislative levels.	Soundproofing level complies with EEC standards (80dB)															



ENGINE EQUIPMENT

Power mode is activated by passing the 'hard spot' at the end of the accelerator pedal stroke (kick down)
 Partial gas recycling (semi-closed circuit)
 Intake air preheating cold starting device
 Without engine Power Take Off.
 Electronic speed limiter (90 km/h).

OPTIONS

- Power mode inhibited after passing the 'hard spot' of the accelerator pedal
- Automatic engine cut-off (3 min)
- Automatic engine cut-off (5 min)
- Engine rear PTO:
Splined hollow shaft output (DIN 5462). Continuous drive
Rotation: as engine
Max. torque: 600 Nm
Ratio: 1/1
Position 12 o'clock
- Engine rear PTO:
Output: ISO 7646 plate. Continuous drive

OPTIONS

- ZF 9S 1110 TO
9-speed manual gearbox (synchronesh) and 1 reverse gear (9.48 - 0.75).
Super H gear pattern.
SERVOSHIFT gear changing assistance.
Cable-operated gearshift control.
- Allison automatic gearbox 3200V
6 forward gears and 1 reverse gear with torque converter.
Ratios: 3.49 - 0.65.
Controlled by touch pad.
2 configuration modes: "eco" and "dynamic"
Lock-up function.
- ZF 6S 1000 TO
6-speed manual gearbox (synchronesh) and 1 reverse gear (6.75 - 0.77).
In-line gear pattern.
SERVOSHIFT gear changing assistance.
Cable-operated gearshift control.
- Gearshifting strategy optimised for FUEL ECO

RETARDER

Exhaust-mounted retarder (120 kW at 2800 rpm)

OPTIONS

- OPTIBRAKE:
Combination of exhaust brake and valve compression braking.
Full electronic management (power: 170 kW at 2800rpm), coupled to service brake
- Allison Hydraulic retarder (400 kW)
- Electromagnetic retarder TELMA AD 72-00 (2000 Nm)
- Adaptation: "Electric retarder on Telma AD 72-00 transmission"



POWER TAKE-OFFS

OPTIONS

- PTO N109/10 C
Outlet: splined hollow shaft
Rotation: as engine
Torque: 410 Nm
Ratio: 1.9
Position: 6 o'clock
- Gearbox PTO located on upper side at 13h.
Outlet : DIN562 splined shaft for flanged pump.
Rotation : as engine.
Torque 535 Nm.
Ratio : 1.975
- PTO S88 C.
- PTO NL/10 C 320 Nm.
Outlet : Splined hollow shaft.
Rotation : as engine
Torque : 320 Nm.
Ratios : 1.7
Position : 13h
- Power take-off PTR D-D1D:
Output: splined hollow shaft (DIN 5462), rotation as engine, torque 1000 Nm, Ratio 0.6/0.77. Position 17h
Mixed output (DIN 5462/DIN 120), rotation opposite to engine, torque 730 Nm, Ratio 1.29/1.65. Position 16h
- Power take-off PTR D-D1D:
Output: splined hollow shaft (DIN 5462), rotation as engine, torque 1000 Nm, Ratio 0.6/0.75. Position 17h
Mixed output (DIN 5462/DIN 120), rotation opposite to engine, torque 870 Nm, Ratio 1.04/1.32. Position 16h
- Power take-off S84
Output: splined hollow shaft (DIN 5462)
Direction of rotation: as engine
Torque: 430 Nm
Ratios: 0.91/1.16
Position: 17h
- Power take-off S81, 800 Nm, flange output
- Power take-off S81
Output: flange (DIN 90)
Direction of rotation: opposite to engine
Torque: 1000 Nm
Ratios: 0.71/0.90
Position: 18h
- Power take-off S81
Output: splined hollow shaft (DIN 5462)
Direction of rotation: opposite engine
Torque: 800 Nm
Ratios: 0.71/0.90
- Power take-off S81
Output: splined hollow shaft (DIN 5462)
Direction of rotation: opposite to engine
Torque: 1000 Nm
Ratios: 0.71/0.90
Position: 18h
- Power take-off S84
Output: flange (DIN 90)
Direction of rotation: as engine
Torque: 430 Nm
Ratios: 0.91/1.16
Position: 17h
- Power take-off S88 450 Nm, flange

- Additional PTO S81 Z2 C
Outlet: splined hollow output shaft. Direction of rotation: opposite engine.
- Additional PTO S84 Z2 C
Without gearbox mounted PTO

STEERING

Hydraulic steering box with variable step-down power assistance.
Driving on the right

AXLE

Load capacity (technical max.) Front axle: 7.1 t.

WHEELS AND TYRES

Dimension 275/70 R22.5
Profile G. KMAX S/D
Steel disc wheels
Front wheel trims
Without spare wheel.

BRAKING

Service brake:

Braking system with two independent circuits
All-disc brakes
Electronic management of air production by APM (Air Product Management)
Dryer cartridge optimised by preventive maintenance
Twin-cylinder air compressor 1080 l/min, 720 cm³
Air tank mounting rubber fittings
Without rear trailer coupling.

EBS:

Anti-wheel lock braking system (ABS).
Anti-slip regulation (ASR).
Drag torque control (Torque control during downshifting).
Retarder and service brake linking
Differential engagement management (if equipped) at speeds <10 km/h (4x2)
Braking performance warning
ESC (Electronic Stability Control) trajectory control and anti-rollover system
Coupling traction test
Emergency brake assist (EBA)
Emergency brake lights (EBL)

Parking brake:

Air operated spring brake actuators on rear wheels
Hand brake valve.

Brake adjustment:

Automatic brake lining slack compensation.

Emergency brake:

Ensured by independence of main device circuits



OPTIONS

- Aluminium air tanks.
 - Trailer brake device
 - "Differential lock release if vehicle speed exceeds 10 km/h" adaptation
 - Anti-lock braking system (ABS).
- Anti-slip regulation (ASR).
Drag torque control (Torque control during downshifting).
(Disc) brake pad wear compensation
Retarder and service brake linking
Differential engagement management (if equipped) at speeds <10 km/h (4x2)
Hill Start Assist
Braking performance warning
ESC (Electronic Stability Control) trajectory control and anti-rollover system
Coupling traction test
Emergency brake assist (EBA)

CAB

Cab exterior:

Day cab
All steel Cab, electro-zinc plated and cathaphoretic paint treatment.
Cab paint colour: White ekla
technical code: 09350
Red badge
Anti-spray deflectors
Four point mechanical cab suspension.
Hydraulic cab tilt.
2 heated, remote control rear view mirrors.
Rear view mirrors for bodywork up to 2.55 m wide
Fold-back front view mirror
Air horn
Roof-level air intake.
Air filter clogging indicator
Spray suppression on front wings
Tinted, laminated windscreen.
Without rear window.

OPTIONS

- 4-point cab air suspension with ride-height control system
- Adjustable roof deflector
- External sun visor
- Provision for mounting external sun visor.
- Heated and tinted laminated windscreen
- With 2 rear tinted side windows
- Tinted rear cab window

Cab interior:

Upper storage cupboard with net cover, 2 storage compartments (50 l) with net covers
Three sun blinds on windscreen
DTCO 4.0 digital chronotachograph
Air-suspended driver's seat with fitted seat belt.
Driver's armrest
Red seat belts
Adjustable passenger seat

Blower socket on central console
Normal engine tunnel.
Cab lighting time-delay.
2 Coat hooks on rear panel
Electrically operated door windows
Handbook in Czech.

OPTIONS

- Analog and digital DAB and DAB+ radio requiring a digital antenna (not provided)
audio playback via USB and streaming via Bluetooth 4.0 with hands-free function and steering wheel-mounted controls
- CB pre-equipment.
- Offset 24 V socket
- Air-suspended COMFORT driver's seat, with fitted seat belt, lumbar support, heated cushion and seatback, seat depth adjustment
- Air-suspended passenger seat with seatbelt.
- Passenger armrest
- Storage on engine tunnel
- Rear storage on central tunnel
- Cab independent night heater air/air (2 kW)
- Air conditioning
- Smartphone mounting plate
- Engine hourmeter.
- Adaptation: "Cylinder on clutch pedal"
- "DRIVER'S ALCO-LOCK provide and install immobiliser alco-lock kit" adaptation
- Adjustment of "beam setting for toll chargers"
- "Air blower installation inside the cab" adaptation
- Analog and digital DAB and DAB+ radio requiring a digital antenna (not provided)
audio playback via USB and streaming via Bluetooth 4.0 with hands-free function and steering wheel-mounted controls

Steering wheel equipment:

4-spoke steering wheel adjustable for height and depth, includes cruise control controls
OPTIDRIVER control

OPTIONS

- 4-spoke leather steering wheel adjustable for height and depth, with control for cruise control
- Analog and digital DAB and DAB+ radio requiring a digital antenna (not provided)
audio playback via USB and streaming via Bluetooth 4.0 with hands-free function and steering wheel-mounted controls
Analog radio with audio playback and streaming via Bluetooth 4.0
with hands-free function and steering wheel-mounted controls

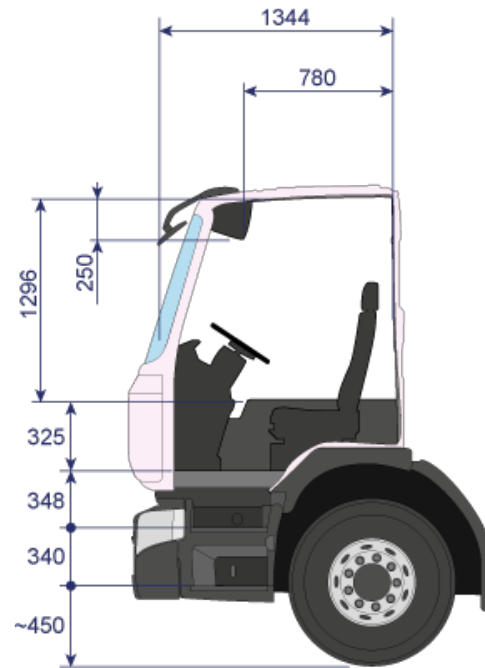
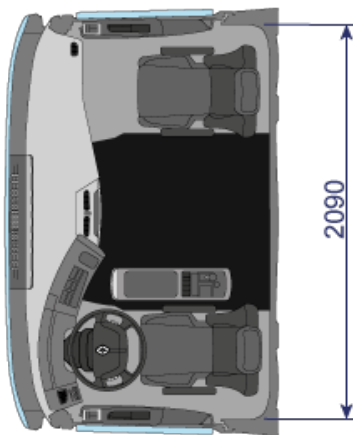
Instrument panel:

12V socket on dashboard, for accessories.
Starting inhibitor controlled by transponder key.
Folding key.
Remote control central door locking.
Speed limiter adjustable via steering wheel control (ASL)
Cruise Control with steering wheel-mounted controls



OPTIONS

- 12 V + 24 V socket on dashboard, for accessories.
 - Cab volumetric alarm, immobilizer and load protection.
 - Cruise Control with Optiroll with steering wheel-mounted controls
 - "ONSPOT type automatic chaining system" adaptation
 - Analog and digital DAB and DAB+ radio requiring a digital antenna (not provided)
- audio playback via USB and streaming via Bluetooth 4.0 with hands-free function and steering wheel-mounted controls



ELECTRONIC EQUIPMENT:

SAE cab socket for vehicle data extraction (Optifuel Infomax).
Lane Departure Warning System (LDWS)
Advanced emergency braking system (AEBS)
English and Czech language display
Additional language (Slovak)

OPTIONS

- FMS Gateway fleet management interface
- Telematics provision including the TGW (Telematics GateWay): including antenna and subscription to Optifleet Map, Check and Drive services
- Constant time gap (CTG) linked to advanced emergency braking system (AEBS)
- "Speed Signal Simulator" adaptation

ELECTRICAL EQUIPMENT

Battery capacity: 185 Ah
Batteries with level check
Battery isolation switch
Alternator : 110 amp capacity.

OPTIONS

- Maintenance-free batteries



- Battery isolation remote control
- "LED rear lights" adaptation

CHASSIS

Chassis protective paintwork, mineral grey colour
technical code: 03650
Standard rear overhang, pre-drilled for bodybuilder
Removable front towing cap.
Front under-run protection.
Rear under-run bar.
Closing cross member with pre-drilling for towing yoke
Wings fitted in standard position.
One wheel chock with bracket mounted on chassis.
Side exhaust.

OPTIONS

- Trailer cross member for G150 hook (100 x 160 mm attachment)
- Engine air filter with easily removable cartridges.
- Rear wings with anti-spray
- Two wheel chocks with bracket.

BUMPER - STEPS AND LIGHTING

3-part plastic bumper
Access to driving position by 2 stepwell steps.
Step lighting.
Headlamp levelling control.
Running lights

OPTIONS

- Electrical headlamp levelling control.
- Front fog lights.
- 2 orange rotating beacons
- Roof beacon pre-equipment

SUSPENSION

Front suspension

Front parabolic leaf springs.
Stabiliser bar

OPTIONS

- Front air suspension.

Rear suspension:

Rear air suspension.
2-channel air suspension control on dash board

OPTIONS

- Suspension remote control (2 channels).

FUEL TANK

Main steel tank.
Main fuel tank: 255 litres capacity D560 profile mounted on right
Fuel heater in filter bowl.

OPTIONS

- Main fuel tank: 160 litres capacity D560 profile mounted on right
- Main fuel tank: 415 litres capacity D560 profile mounted on right
- Main fuel tank: 630 litres capacity D560 profile mounted on right
- Main fuel tank: 315 litres capacity D560 profile mounted on right
- Main fuel tank: 215 litres capacity mounted on right
- Main fuel tank: 220 litres capacity D560 profile mounted on right
- Main fuel tank: 160 litres capacity D560 profile mounted on left
- Main fuel tank: 255 litres capacity D560 profile mounted on left
- Main fuel tank: 315 litres capacity D560 profile mounted on left
- Main fuel tank: 220 litres capacity D560 profile mounted on left
- "Direct diesel fuel supply for ancillary equipment" adaptation
- Anti-siphoning device

AdBlue

32-litre AdBlue tank

STANDARD EQUIPMENT

Warning triangle.
Windscreen washer bottle capacity: 12L

OPTIONS

- Tool box on LHS chassis
- 125L tool box on chassis.
- Sharp angle protection.



BODYWORK

Body mounting brackets front and rear.
Bodybuilder access through bulkhead
Orange LED side marker lights with reflector
Provision for bodybuilder electronic box interface.

OPTIONS

- Front and rear mounting brackets for flexible fitment
- Bodywork bracket mounting holes
- Bodybuilder suspensions control:
Inhibition of suspension height regulation, platform kneeling, height regulation
- Electrical provision for crane

SERVICE

Optifleet:

OPTIONS

- Pre-equipment for monthly Optifleet Check: technical data reports for fuel consumption monitoring by vehicle and by driver, activation of service on request subject to monthly subscription
- Optifleet Check: technical data reports for fuel consumption monitoring by vehicle and by driver, 1-year prepaid subscription
- Optifleet Check: technical data reports for fuel consumption monitoring by vehicle and by driver, 2-year prepaid subscription
- Optifleet Check: technical data reports for fuel consumption monitoring by vehicle and by driver, 3-year prepaid subscription
- Optifleet Check: technical data reports for fuel consumption monitoring by vehicle and by driver, 4-year prepaid subscription
- Optifleet Check: technical data reports for fuel consumption monitoring by vehicle and by driver, 5-year prepaid subscription
- Optifleet Check: technical data reports for fuel consumption monitoring by vehicle and by driver, 6-month prepaid subscription
- Pre-equipment for monthly Optifleet Drive: Monitoring of activity times and remote download of driver card data and tachograph memory, activation of service on request subject to monthly subscription
- Optifleet Drive: Monitoring of activity times and remote download of driver card data and tachograph memory, 1-year prepaid subscription

- Optifleet Drive: Monitoring of activity times and remote download of driver card data and tachograph memory, 2-year prepaid subscription
- Optifleet Drive: Monitoring of activity times and remote download of driver card data and tachograph memory, 3-year prepaid subscription
- Optifleet Drive: Monitoring of activity times and remote download of driver card data and tachograph memory, 4-year prepaid subscription
- Optifleet Drive: Monitoring of activity times and remote download of driver card data and tachograph memory, 5-year prepaid subscription
- Optifleet Drive: Monitoring of activity times and remote download of driver card data and tachograph memory, 6-month prepaid subscription
- Pre-equipment for monthly Optifleet Map: vehicle geolocation, geofencing and route analysis. Activation of service on request subject to monthly subscription
- Optifleet Map: vehicle geolocation, geofencing and route analysis, 1-year prepaid subscription
- Optifleet Map: vehicle geolocation, geofencing and route analysis, 2-year prepaid subscription
- Optifleet Map: vehicle geolocation, geofencing and route analysis, 3-year prepaid subscription
- Optifleet Map: vehicle geolocation, geofencing and route analysis, 4-year prepaid subscription
- Optifleet Map: vehicle geolocation, geofencing and route analysis, 5-year prepaid subscription
- Optifleet Map: vehicle geolocation, geofencing and route analysis, 6-month prepaid subscription
- Pre-equipment for monthly Optifleet Map+: high frequency vehicle geolocation, geofencing and route analysis. Activation of service on request subject to monthly subscription
- Optifleet Map+: vehicle geolocation, geofencing and route analysis, 1-year prepaid subscription
- Optifleet Map+: vehicle geolocation, geofencing and route analysis, 2-year prepaid subscription
- Optifleet Map+: vehicle geolocation, geofencing and route analysis, 3-year prepaid subscription
- Optifleet Map+: vehicle geolocation, geofencing and route analysis, 4-year prepaid subscription
- Optifleet Map+: vehicle geolocation, geofencing and route analysis, 5-year prepaid subscription
- Optifleet Map+: vehicle geolocation, geofencing and route analysis, 6-month prepaid subscription

PACKS

- Pack "Fuel Eco Optiroll" comprising:
Cruise Control with Optiroll with steering wheel-mounted controls
Automatic engine cut-off (3 min)
Gearshifting strategy optimised for FUEL ECO
Power mode inhibited after passing the 'hard spot' of the accelerator pedal
- Pack "Protect" comprising:
EBS MEDIUM with ESP



Tyre pressure gauge
Tyre inflation extension piece
Cab volumetric alarm, immobilizer and load protection.
Passenger side vision door with lower tinted window
Reversing warning buzzer, including night switch.

GEARBOX RATIOS

1	2	3	4	5	6	7	8	9	10	11	12
14.94	11.73	9.04	7.09	5.54	4.35	3.44	2.70	2.08	1.63	1.27	1.00

PERFORMANCE

Gearbox ratio	Axle ratio	Code	Final ratio	Engine rpm at max torque	Speed	Gradient in % (2)	Engine speed at 90 km/h	Governed speed in km/h (1)
1	DRIVE AXLE RATIO 2.64	1CJ37	2.640	1000	4.45	50.74		
	DRIVE AXLE RATIO 2.85	1CJ36	2.850	1000	4.12	55.99		
	DRIVE AXLE RATIO 3.08	1CJ23	3.080	1000	3.81	62.18		
	DRIVE AXLE RATIO 3.36	1CJ21	3.360	1000	3.49	70.49		
	DRIVE AXLE RATIO 3.46	1CJ73	3.460	1000	3.39	73.71		
	DRIVE AXLE RATIO 3.52	1CJ20	3.520	1000	3.33	75.71		
	DRIVE AXLE RATIO 3.61	1CJ64	3.610	1000	3.25	78.83		
	DRIVE AXLE RATIO 3.76	1CJ63	3.760	1000	3.12	84.37		
	DRIVE AXLE RATIO 3.89	1CJ26	3.890	1000	3.02	89.57		
	DRIVE AXLE RATIO 4.11	1CJ35	4.110	1000	2.86	99.40		
	DRIVE AXLE RATIO 4.12	1CJ18	4.120	1000	2.85	99.88		
	DRIVE AXLE RATIO 4.35	1CJ27	4.350	1000	2.70	112.09		
	DRIVE AXLE RATIO 4.55	1CJ40	4.550	1000	2.58	124.87		
	DRIVE AXLE RATIO 4.62	1CJ25	4.620	1000	2.54	129.98		
	DRIVE AXLE RATIO 4.63	1CJ34	4.630	1000	2.53	130.74		
	DRIVE AXLE RATIO 4.67	1CJ70	4.670	1000	2.51	133.87		
	DRIVE AXLE RATIO 4.82	1CJ17	4.820	1000	2.43	147.06		
	DRIVE AXLE RATIO 5.29	1CJ33	5.290	1000	2.22	216.27		
	DRIVE AXLE RATIO 5.41	1CJ79	5.410	1000	2.17	249.61		
DRIVE AXLE RATIO 5.43	1CJ29	5.430	1000	2.16	256.53			



Gearbox ratio	Axle ratio	Code	Final ratio	Engine rpm at max torque	Speed	Gradient in % (2)	Engine speed at 90 km/h	Governed speed in km/h (1)
	DRIVE AXLE RATIO 5.86	1CJ30	5.860	1000	2.00	275.52		
	DRIVE AXLE RATIO 6.17	1CJ32	6.170	1000	1.90	275.52		
	DRIVE AXLE RATIO 6.18	1CJ67	6.180	1000	1.90	275.52		
	DRIVE AXLE RATIO 6.31	1CJ31	6.310	1000	1.86	275.52		
	DRIVE AXLE RATIO 7.21	1CJ62	7.210	1000	1.63	275.52		
	DRIVE AXLE RATIO 5.12	1CJ28	5.120	1000	2.29	183.85		
12	DRIVE AXLE RATIO 2.64	1CJ37	2.640				1355.24	139
	DRIVE AXLE RATIO 2.85	1CJ36	2.850				1463.04	129
	DRIVE AXLE RATIO 3.08	1CJ23	3.080				1581.11	120
	DRIVE AXLE RATIO 3.36	1CJ21	3.360				1724.85	110
	DRIVE AXLE RATIO 3.46	1CJ73	3.460				1776.18	106
	DRIVE AXLE RATIO 3.52	1CJ20	3.520				1806.98	105
	DRIVE AXLE RATIO 3.61	1CJ64	3.610				1853.18	102
	DRIVE AXLE RATIO 3.76	1CJ63	3.760				1930.18	98
	DRIVE AXLE RATIO 3.89	1CJ26	3.890				1996.92	95
	DRIVE AXLE RATIO 4.11	1CJ35	4.110				2109.86	90
	DRIVE AXLE RATIO 4.12	1CJ18	4.120				2114.99	89
	DRIVE AXLE RATIO 4.35	1CJ27	4.350				2233.06	85
	DRIVE AXLE RATIO 4.55	1CJ40	4.550				2335.73	81
	DRIVE AXLE RATIO 4.62	1CJ25	4.620				2371.66	80
	DRIVE AXLE RATIO 4.63	1CJ34	4.630				2376.80	80
	DRIVE AXLE RATIO 4.67	1CJ70	4.670				2397.33	79
	DRIVE AXLE RATIO 4.82	1CJ17	4.820				2474.33	76
	DRIVE AXLE RATIO 5.29	1CJ33	5.290				2715.61	70
	DRIVE AXLE RATIO 5.41	1CJ79	5.410				2777.21	68
	DRIVE AXLE RATIO 5.43	1CJ29	5.430				2787.47	68
DRIVE AXLE RATIO 5.86	1CJ30	5.860				3008.21	63	
DRIVE AXLE RATIO 6.17	1CJ32	6.170				3167.35	60	



Gearbox ratio	Axle ratio	Code	Final ratio	Engine rpm at max torque	Speed	Gradient in % (2)	Engine speed at 90 km/h	Governed speed in km/h (1)
	DRIVE AXLE RATIO 6.18	1CJ67	6.180				3172.48	60
	DRIVE AXLE RATIO 6.31	1CJ31	6.310				3239.22	58
	DRIVE AXLE RATIO 7.21	1CJ62	7.210				3701.23	51
	DRIVE AXLE RATIO 5.12	1CJ28	5.120				2628.34	72

(1) Speed limited electronically (except VI < or = 12t, where special regulations apply)

(2) Slope calculated in %, varies according to ground adhesion

The manufacturer reserves the right to modify the specifications above without prior notice.

Non contractual document.

For further assistance please contact Product Applications at Renault Trucks UK Limited,

The manufacturer reserves the right to modify the specifications above without prior notice.

Non contractual document.

For further assistance please contact Product Applications at Renault Trucks UK Limited, Wedgnock Lane , Warwick , CV34 5YA Telephone

The manufacturer reserves the right to modify the specifications above without prior notice.

Non contractual document.

For further assistance please contact Product Applications at Renault Trucks UK Limited, Wedgnock Lane , Warwick , CV34 5YA Telephone

The manufacturer reserves the right to modify the specifications above without prior notice.

Non contractual document.

For further assistance please contact Product Applications at Renault Trucks UK Limited, Wedgnock Lane , Warwick , CV34 5YA Telephone

+44 (0)1926 475333.

The manufacturer reserves the right to modify the specifications above without prior notice.

Non contractual document.

For further assistance please contact Product Applications at Renault Trucks UK Limited, Wedgnock Lane , Warwick , CV34 5YA Telephone

+44 (0)1926 475333.

