



## CR362LS STEEL TRACK ASPHALT PAVER



### CR362LS STEEL TRACK ASPHALT PAVER

#### Features:

- 8 ft (2.4 m) commercial paver
- Replaceable polyurethane pads
- Turbocharged 160 hp Tier 3 diesel engine
- Power-tilt hood with integral radiator
- Up to 20 ft (6.1 m) paving widths
- Patented Frame Raise System
- Patented Three-Point Suspension
- Fume-recovery system mitigates fumes

# CR362LS Steel Track Paver

## Tractor

- All-welded mainframe construction
- Crawler-mounted Three-Point suspension
- Oscillating track rollers
- Self-cleaning, replaceable, 14 in (355 mm) wide steel track with polyurethane pads
- B3-size track rail
- Independent hydrostatic drive for each track
- Adjustable spreading auger height via frame raise
- Oscillating push rollers or truck hitch
- Power tilt hood with integral radiator
- Fume-recovery system mitigates fumes
- Adjustable material retaining plates
- Operator's umbrella

## Screed

- Screed assist (Stretch 16®)
- One-piece hardened steel screed plate
- Hydraulically adjustable screed vibrators
- Electric heat or oil heaters
- Manual and hydraulic power mat depth control
- Hydraulic power crown control
- Power match height adjustment (Stretch 16 and VersaScreed 208)
- Vertically adjustable screed end gates
- Hydraulic screed lift with mechanical screed lock

## Feed System

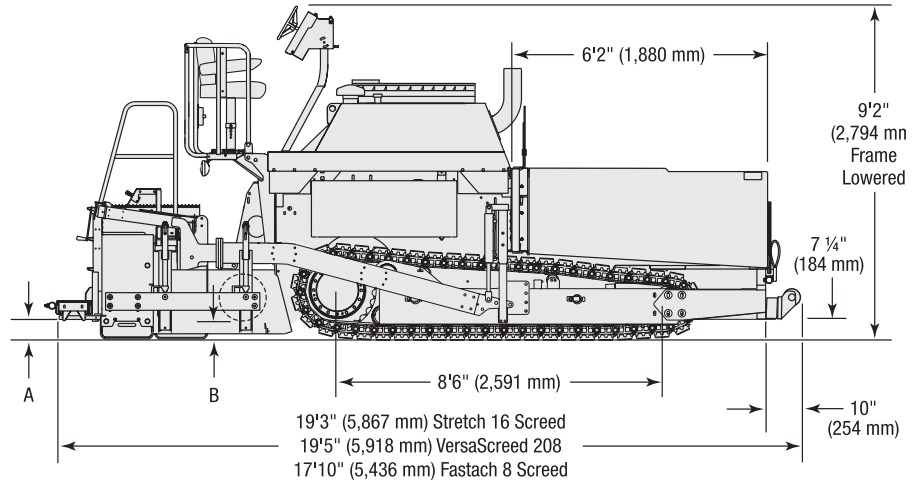
- Reinforced, sealed, tilting hopper wings with beveled corners
- Dual power-adjustable feed gates
- Reversible slat conveyor bars
- 3.075 in (78 mm)-pitch roller slat chain with hardened 8-tooth slat drive sprockets
- Conveyor bearings outside of tunnel for long life
- Long-wearing #120 chain for slat and auger drive
- Independently controlled right and left feed systems
- System interlocks stop feed when paver stops

## Controls

- Operator swing console with spring-loaded center lock and variable-position cam lock
- Full instrumentation gauges
- Electric-over-hydraulic propel control steering wheel with dial-in working speed
- Lockout/tagout capable E-stop and master electrical switch

## Hydraulic System

- Engine-mounted, enclosed, Poly Chain® belt pump drive
- Variable-displacement pumps for tractor drives, right and left feed systems and auxiliary circuits
- Fixed-displacement pump for vibrator circuit with flow control valve for frequency adjustment
- Centralized filter locations
- Remote control solenoids with function-check LED



	A	B
Frame Raised	17 in (432 mm)	10 1/4 in (260 mm)
Frame Lowered	10 1/2 in (267 mm)	4 1/2 in (114 mm)

## Paver

Paver width (hopper wings up)	8 ft 6 in (2.59 m)
Paver width (hopper wings down)	10 ft (3.05 m)
Paving width (std)	8 ft (2.44 m)
Paving width (max)	20 ft (6.1 m)
Paving depth (max)	12 in (305 mm)
Paving speed (max)	200 ft/min (61 m/min)
Travel speed (max)	5.6 mph (9 km/hr)
Brakes	multiple disc parking

## Weight\*

Tractor	26,835 lbs (12,172 kg)
with Stretch 16	33,445 lbs (15,171 kg)
with VersaScreed 208	32,335 lbs (14,667 kg)
with Fastach® 8	30,335 lbs (13,760 kg)

\*Weights are based on average shipping weights.

## Engine

Make/Model	Cummins QSB4.5
Type	Turbocharged diesel
Horsepower	160 hp (119 kW) @ 2200 rpm
Electrical	130 amp, 12 vdc

## Capacities

Diesel fuel	62 gal (234 L)
Hydraulic oil	50 gal (189 L)
Cooling system	6 gal (23 L)

## Hopper

Length & width	6 ft 2 in x 9 ft 11 in (1,880 x 3,023 mm)
Volume	165 ft³ (4.67 m³)
Capacity	10 tons (9.07 tonnes)
Feed tunnel width (each)	25 in (635 mm)
Slat liners (thickness)	3/8 in (9.5 mm)

## Spreading Auger Sections

Construction	Cast, high alloy
Diameter	14 in (355 mm)
Thickness	5/8 in (16 mm)

## Screed

Screed plate thickness	1/2 in (12.7 mm)
Positive crown (hydraulically powered)	3 in (76 mm)
Negative crown (hydraulically powered)	1 in (25 mm)
Vibrations per minute (max)	3,000
Heaters	
Stretch 16 (electric heat)	20 kW generator
Stretch 16 (four oil heaters)	274,000 BTU (total) 2.0 gph (7.6 liters/hr)
VersaScreed 208 (electric heat)	20 kW generator
Fastach 8 (electric heat)	20 kW generator
Fastach 8 (two oil heaters)	178,000 BTU (total) 1.3 gph (4.9 liters/hr)

## Optional Equipment

Stretch 16 screed with electric or oil heat
VersaScreed 8 with electric heat
Fastach 8 screed with electric or oil heat
Generation 3 proportional or sonic material feed control
Mechanical or sonic grade and slope control
Multi-foot grade reference system
Sonic averaging systems
Material feed package
Bevel guide plates
Cutoff shoes, 12 in (305 mm) and 24 in (610 mm) sections
30 ft (9,144 mm) hose reel for spray-down
Back-up alarm
Additional umbrella
500-hour filter kit

Effective Date: March 2008. Product specifications and prices are subject to change without notice or obligation. The photographs and/or drawings in this document are for illustrative purposes only. Refer to the appropriate Operator's Manual for instructions on the proper use of this equipment. Failure to follow the appropriate Operator's Manual when using our equipment or to otherwise act irresponsibly may result in serious injury or death. The only warranty applicable to our equipment is the standard written warranty applicable to the particular product and sale and Terex makes no other warranty, express or implied. Products and services listed may be trademarks, service marks, or trade names of Terex Corporation and/or its subsidiaries in the USA and other countries. All rights are reserved. Terex is a registered trademark of Terex Corporation in the USA and many other countries. Copyright 2008 Terex Corporation.

Terex Roadbuilding  
P.O. Box 1985, Oklahoma City, OK 73101  
(405) 787.6020 1-888-TEREXRB  
www.terexrb.com

