

Specification sheet

FA CF75



ENGINES

CF75 250
CF75 310
CF75 360

GVM¹⁾

18000 kg

Max. front 7300 kg

Max. rear 11500 kg

GCM²⁾

38000 kg

CAB EXTERIOR

Mechanically suspended Day Cab with steel bumper, tinted glass and electric window openers. Main mirrors and wide angle mirrors electrically heated. Cab width 2300 mm.; Manually adjustable main mirrors; No front view mirror.

Optional

02106 Sleeper Cab	07313 Combi lights led in bumper
01137 Space Cab	06592 Four spot lights on the cab roof
01226 Cab suspension air	06593 Skylights
08071 Xenon head lights with washer	06591 Two spot lights on the cab roof
06166 Combi lights in bumper	

AERODYNAMICS

Optional

04906 Side collars

COLOURS

Cab colour H3279 Brilliant White; Head lamp panel, bumper and step cover: grey; C4P500GRY Chassis colour grey.

Optional

09932 Head lamp panel, bumper and step cover: Br White	04198 Mirror covers in cab colour
09931 Head lamp panel, bumper and step cover: cab colour	16153 Cab and chassis colours

CAB INTERIOR

Driver seat: Comfort Air; Co-driver seat: basic; Storage box on engine tunnel; Roof hatch glass, manual control; Pollen filter.

Optional

09271 Steering wheel, leather, colour black	06539 Refrigerator
06111 Dashboard: wood structure	01245 Air conditioning
02117 Third seat	06599 Auxiliary cab heater (air)

COMMUNICATION AND DRIVING MANAGEMENT

No Fleet Management System; Tachograph mechanical; Speed limiter setting 85 km/h nominal; Antennas: AM/FM, 2x GSM, GPS; Cruise control.

Optional

09681 Preparation for Maut	09721 Handsfree telephone kit
16155 Audio equipment, makes and types	09909 Adaptive Cruise Control (ACC) with FCW

SAFETY AND SECURITY

Basic engine immobiliser system.

Optional

08631 Air bag (driver) and 2 seat belt tensioners	01725 Reverse warning
09992 Lane Departure Warning System	

SUSPENSION AND AXLES

Front: 7.50 t, parabolic, 152N; Rear: 13.00 t, air suspension, SR1344.

Optional

06257 Front axle load 9.00 t	01603 Rear springs parabolic
04057 Rear axle HR1356	03345 Rear springs parabolic, short
04588 Rear axle SR1347	

WHEELS AND TYRES

Front axle 1: 305/70R22.5; Rear axle 1: 275/70R22.5; No spare tyre; Disc wheels steel, silvergrey; Wheel protection rings silvergrey.

Optional

16152 Tyre makes and types

DRIVELINE

PR183, 183 kW/249 hp, 45C HD. Cab badge: 250; Exhaust emission Euro 3; No engine idle shutdown; Manual gearbox, 9 speeds; Gearbox ratio 9.48-0.75; Rear axle ratio 4.63; Mechanical differential lock.

Optional

04001 Exhaust emission Euro 5	02313 Gearbox direct drive
04521 Manual gearbox, 8 speeds	03721 ASR
04500 AS Tronic gearbox, 12 speeds	

BRAKE SYSTEM

ABS.

Optional

02715 ZF Intarder	04901 Spring brake cylinders on the first front axle
--------------------------	---

CHASSIS

Wheelbase 4.50 m / rear overhang 1.95 m; Side member height 310 mm; Steel fuel tank 300 l, height 580 mm; Spray suppression; No front underrun protection; No AdBlue tank; No spare wheel carrier.

Optional

16157 Fuel tanks, material and sizes	13487 AdBlue tank 60 litres
---	------------------------------------

DRAWBAR AND TRAILER EQUIPMENT

D-value cross member D=13.7; Electric connection 24 V / 2x7 pins.

Optional

04624 Closing member	07032 D-value cross member D=20
-----------------------------	--

BODIES AND PREPARATIONS FOR BODYING

Application connector on the cab front; Side marker lights.

Optional

04331 Appl connector including air control prep	02597 Application connector for tail lift control
06692 Application connector on the chassis	09240 Application connector for refuse collector

POWER TAKE-OFF (PTO)

Optional

16148 PTO types and positions

ELECTRICAL POWER SUPPLY

Alternator 80 A, batteries 2x 140 Ah..

Optional

04873 Alternator 110 A

08797 Batteries 2x175Ah

GVM AND GCM

Chassis weight related technical GVM max 20500 kg; Driveline related max GCM 38000 kg class 2.

APPLICATION CONDITIONS

Moisture separator, unheated; Cyclonic air intake behind the cab.

Optional

02270 Cold climate

06639 Air intake on cab with in-line cyclonic filter

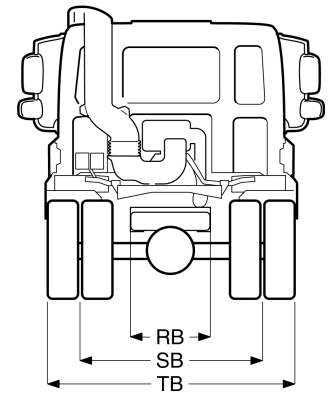
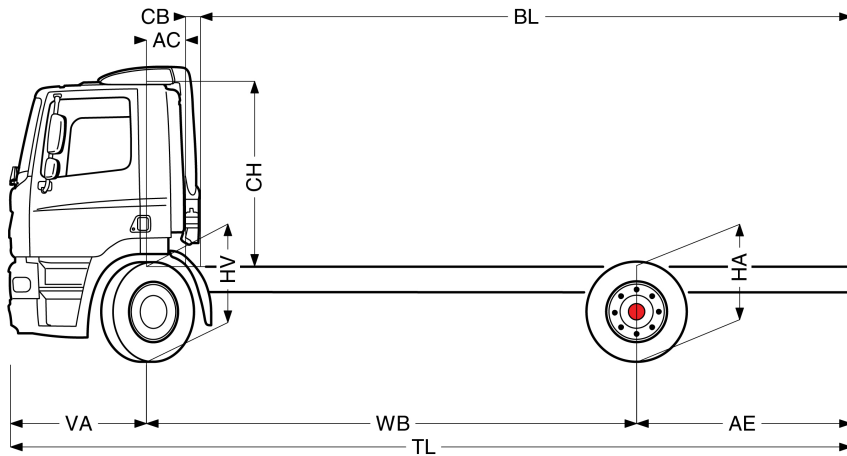
SERVICE AND MAINTENANCE

Standard Warranty takes care of 1 year complete vehicle, 2nd year driveline.; ITS service.



Go to **DAF.com** to configure your own perfect DAF.

FA CF75



	Wheelbase - AE		Unladen weight ¹⁾			Gross Carrying Capacity			Variable dimensions							
	WB	AE ²⁾	Front	Rear	Total	Front	Rear	Total	AC	CB ⁶⁾	CH ⁷⁾	BL ⁸⁾	BL	TL	HA ⁹⁾	HA ¹⁰⁾
SPACE CAB	4.00	1.70	4311	2052	6363	2989	9448	11637	0.82	0.18	2.48	3.96	-1.00	7.08	1.07	1.05
	4.20	1.80	4310	2078	6388	2990	9422	11612	0.82	0.18	2.48	4.25	-1.00	7.38	1.07	1.05
	4.50	1.95	4321	2100	6421	2979	9400	11579	0.82	0.18	2.48	4.69	-1.00	7.83	0.99	0.99
	4.70	2.05	4318	2120	6437	2982	9380	11563	0.82	0.18	2.48	4.99	-1.00	8.13	0.99	0.99
	4.90	2.15	4318	2144	6462	2982	9356	11538	0.82	0.18	2.48	5.28	-1.00	8.43	0.99	0.99
	5.10	2.30	4313	2167	6480	2987	9333	11520	0.82	0.18	2.48	5.57	-1.00	8.78	0.99	0.99
DAY CAB	5.40	2.40	4375	2273	6648	2925	9227	11352	0.82	0.18	2.48	6.03	-1.00	9.18	0.99	0.99
	5.70	2.65	4384	2330	6714	2916	9170	11286	0.82	0.18	2.48	6.46	-1.00	9.73	0.99	0.99
	4.00	1.70	4141	2051	6192	3159	9449	11808	0.39	0.20	1.81	4.69	-0.59	7.08	1.07	1.06
	4.20	1.80	4140	2077	6217	3160	9423	11783	0.39	0.20	1.81	4.98	-0.59	7.38	1.07	1.06
	4.50	1.95	4151	2099	6249	3149	9401	11751	0.39	0.20	1.81	5.42	-0.59	7.83	0.99	0.99
	4.70	2.05	4147	2119	6266	3153	9381	11734	0.39	0.20	1.81	5.70	-0.59	8.13	0.99	0.99
SLEEPER CAB	4.90	2.15	4148	2142	6290	3152	9358	11710	0.39	0.20	1.81	5.99	-0.59	8.43	0.99	0.99
	5.10	2.30	4143	2166	6309	3157	9334	11691	0.39	0.20	1.81	6.28	-0.59	8.78	0.99	0.99
	5.40	2.40	4205	2272	6477	3095	9228	11523	0.39	0.20	1.81	6.73	-0.59	9.18	0.99	0.99
	5.70	2.65	4214	2329	6543	3086	9171	11457	0.39	0.20	1.81	7.16	-0.59	9.73	0.99	0.99
	4.00	1.70	4213	2052	6265	3087	9448	11735	0.82	0.18	1.81	3.91	-1.00	7.08	1.07	1.05
	4.20	1.80	4212	2078	6290	3088	9422	11710	0.82	0.18	1.81	4.20	-1.00	7.38	1.07	1.05
SLEEPER CAB	4.50	1.95	4223	2100	6323	3077	9400	11677	0.82	0.18	1.81	4.64	-1.00	7.83	0.99	0.99
	4.70	2.05	4220	2120	6339	3080	9380	11661	0.82	0.18	1.81	4.93	-1.00	8.13	0.99	0.99
	4.90	2.15	4220	2144	6364	3080	9356	11636	0.82	0.18	1.81	5.22	-1.00	8.43	0.99	0.99
	5.10	2.30	4215	2167	6382	3085	9333	11618	0.82	0.18	1.81	5.50	-1.00	8.78	0.99	0.99
	5.40	2.40	4277	2273	6550	3023	9227	11450	0.82	0.18	1.81	5.96	-1.00	9.18	0.99	0.99
	5.70	2.65	4286	2330	6616	3014	9170	11384	0.82	0.18	1.81	6.39	-1.00	9.73	0.99	0.99

OTHER DIMENSIONS VA: 1.38 HV¹¹⁾: 1.02 HV¹²⁾: 0.94 RB: 0.79 SB: 1.82 TB: 2.55

- GVM in conformity with registration documents.
- GCM in conformity with registration documents.
- Axle load with standard tyre size.
- Chassis and cab weight calculated with: Standard specification items only with 300 litres of fuel, 0 litres of AdBlue and driver of 80 kg, tolerance ± 3%. Changing of the specification can have major impact on vehicle weight.
- Other AE dimensions may be available for shown WB. Modify rear overhang to the calculated body length.
- CB is based on standard air intake and/or exhaust.

- Cab height is measured from frame member to closed cabin roof hatch. With air intake on cab roof: +0.14 m.
- Calculate customer specific body length with TOPEC. Body lengths shown based on evenly distributed load at max axle load.
- Unladen height at centre of driven axle(s).
- Laden height at centre of driven axle(s).
- Unladen height at centre of front axle(s).
- Laden height at centre of front axle(s).

Depending on the vehicle configuration a specific option may not be possible. The availability and specification of this vehicle may differ per country. For further information please contact the DAF organisation. Pictures and technical illustrations are not binding in detail and can differ from the standard specification. Subject to modification without prior notice.