

Your Entry into a New Compaction Class

The CF 1, the smallest vibratory plate of the WEBER-mt line, shows great promise. The well-devised design concept developed through intensive measuring and testing methods, combined with excellent operating and vibrating characteristics ensure high performance in a small package. Due to its superior versatility, the CF 1 is ideally suited to the compaction of sand/gravel, no-slump concrete and insulating materials. The optional poly pad and water sprinkler system allow for the optimum compaction of block and asphalt pavements.

The compact design of the CF 1 allows for easy transport of the machine, even in the trunk of an automobile when the guide handle has been completely folded down.



CF 1 Honda

CF1 vibratory plate with optional water sprinkler system

The CF 1 and their technical data

Type		CF 1	CF 1 Hd
Weight according to CECE	kgs (lbs)	63 (139)	63 (139)
Centrifugal force	kN (lbs)	10 (2300)	10 (2300)
Frequency	Hz (rpm)	98 (5880)	98 (5880)
Working width	cms (in.)	40 (16)	40 (16)
Engine manufacturer		Robin	Honda
Engine type		EY 15	GX 120
Engine output according to DIN 70020	kW/HP	2.6/3.5 at 3,600 rpm	2.9/4.0 at 3,600 rpm
Type of combustion		4-stroke, gasoline	4-stroke, gasoline
Starter		Reversible	Reversible
Working speed	m/min (ft/min)	22 (72)	22 (72)
Depth compaction, max.	cms (in.)	20 (8)	20 (8)

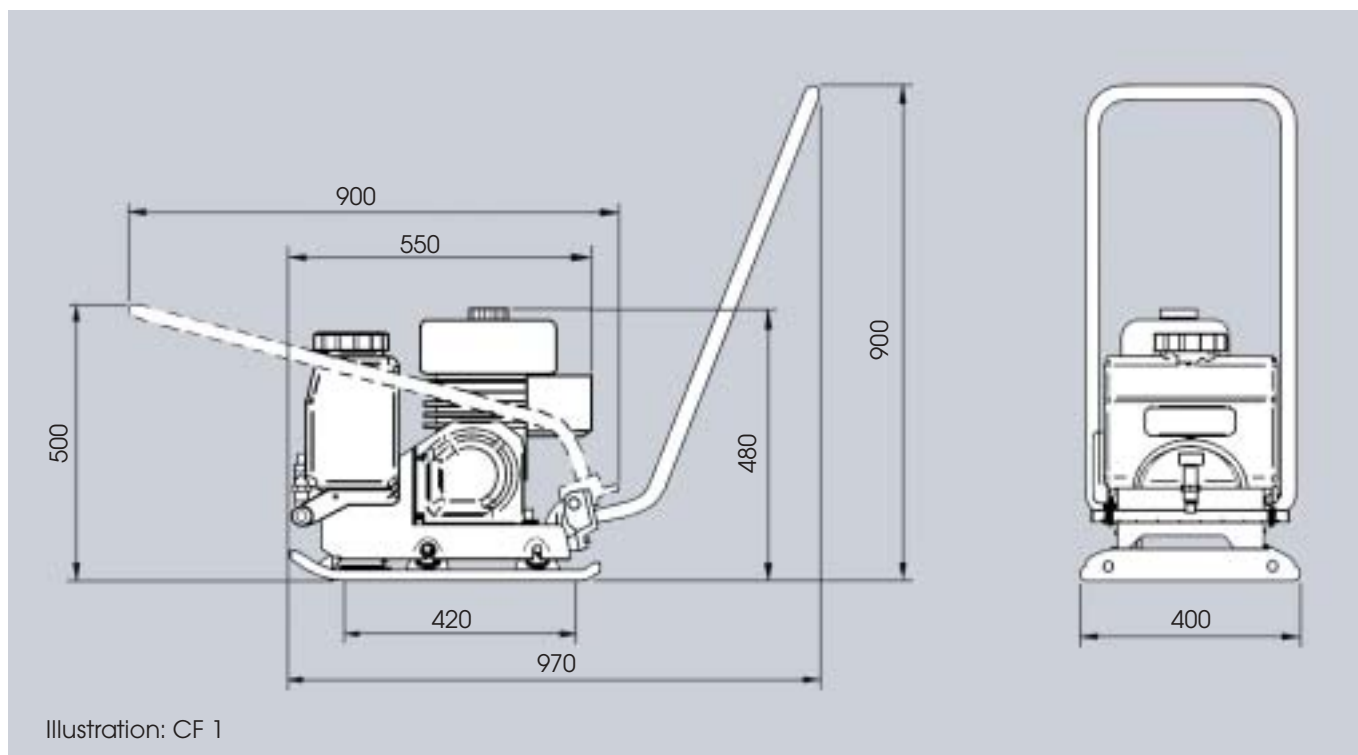
We reserve the right to alter these specifications

Available optional extras:

Poly pad, water sprinkler system, undercarriage

Fields of application:

Sand/gravel, asphalt, no-slump concrete, insulating materials, block pavements, footpath paving stones



Dimensions in mm

WEBER Maschinenteknik GmbH · Im Boden 5- 8 · 57334 Bad Laasphe · P.O. Box 21 53 · 57329 Bad Laasphe · Germany
Phone: +49 (0) 27 54/3 98-0 · Telefax +49 (0) 27 54/3 98-1 01 · E-Mail: verkauf@webermt.de · Internet: <http://www.webermt.de>

Weber Machine (USA) Inc. · 40, Johnson Ave. #112 · Bangor, Maine 04401 · USA

Telephone: +1 (207) 947-4990 · Fax: +1 (207) 947-5452 · E-Mail: usa@webermt.com · Internet: www.webermt.com