



ROBEX 140LCD-7

Standard Equipment

ISO standard cab

- All-weather steel cab with all-around visibility
- Safety glass windows
- Raise-up type windshield wiper
- Sliding fold-in front window
- Sliding side window
- Lockable door
- Hot & cool box
- Accessory box & Ash-tray

Computer Aided Power Optimization(New CAPO) system

- 2-power mode, 3-work mode, 2-user mode
- Auto deceleration & one touch deceleration system
- Auto warm up system
- Auto overheat prevention system

Heater (7500kcal/hr, 30000BTU/hr)

Heater & Defroster

Self diagnostic system

Centralized monitoring

- LCD display
 - Engine speed
 - Clock & Error code
- Gauges
 - Fuel level gauge
 - Engine coolant temperature gauge
 - Hyd. oil temperature gauge
- Warning
 - Engine coolant & Fuel level
 - Check Engine & CPU
 - Engine oil pressure
 - Engine coolant temperature
 - Hyd. oil temperature
 - Low battery
 - Air cleaner clogging

Fully adjustable suspension seat with seat belt

Slidable joystick, pilot-operated

Automatic swing brake

Removable reservoir tank

Water separator, fuel line

Boom holding system

Arm holding system

Counterweight (2,200kg, 4850lb)

mono boom (4.6m, 15' 1")

Arm (2.5m, 8' 2")

Track shoes (600mm, 24")

Track rail guard

AM/FM radio and cassette

- Radio remote switch

Console box tilting system (LH.)

Three front working light

Electric horn

Batteries (2 × 12V × 80AH)

Battery master switch

Starting Aid(air grid heater), cold weather

Optional Equipment

Air-conditioner (5000kcal/hr, 20000BTU/hr)

Sun visor for cabin inside

Fuel filler pump (36 ℓ /min, 9.5 USgpm)

Beacon lamp

Safety lock valve for boom cylinder

Safety lock valve for arm cylinder

Single acting piping kit (breaker, etc)

Double acting piping kit (clamshell, etc)

Quick coupler piping kit

Accumulator, work equipment lowering

12 volt power supply (24V DC to 12V DC converter)

Electric. transducer

Overload warning device

Travel alarm

Various optional Boom

- Short boom (4100mm, 13.5")

Various optional Arms

- Super short arm (1.9m, 6' 3")
- Short arm (2.1m, 6' 11")
- Long arm (3.0m, 9' 10")

Various optional Buckets (SAE heaped)

- Standard bucket (0.58m³, 0.76yd³)
- Narrow bucket (0.23m³, 0.30yd³)
- Narrow bucket (0.40m³, 0.52yd³)
- Narrow bucket (0.46m³, 0.60yd³)
- Narrow bucket (0.52m³, 0.68yd³)
- Light duty bucket (0.65m³, 0.85yd³)
- Light duty bucket (0.71m³, 0.93yd³)
- Slope finishing bucket(0.45m³, 0.59yd³)
- Ditching bucket(0.55m³, 0.72yd³)

Quick coupler kit

Cabin anti-vandalism kit

FOG(Falling object guards, IOS/DIS 10262)

Cabin lights

Track shoes

- Triple grousers shoe (500mm, 20")
- Triple grousers shoe (700mm, 28")
- Triple grousers shoe (800mm, 32"), R140LCM-7

Side cowl

- Air vent type side door

Lower frame under cover

Pre heating system

Low noise kit

Tool kit

Operator suit

- R140LCD-7 Blade : 550mm(1' 10") × 2500mm(8' 2")
- 550mm(1' 10") × 2600mm(8' 6")

Robex NEW 7 SERIES

140LC-7
140LCD-7
140LCM-7

Tier II Engine



Standard and optional equipment may vary. Contact your Hyundai dealer for more information. The machine shown may vary according to International standards.
All US measurement rounded off to nearest pounds or inches.

HYUNDAI
HEAVY INDUSTRIES CO.,LTD.
CONSTRUCTION EQUIPMENT DIVISION

HEAD OFFICE 1 CHEONHA - DONG, DONG-KU, ULSAN, KOREA
(Sales Office) TEL : (82)(52)230 - 2114 FAX (82)(52)230-7979
U.S. Operation 955 ESTES AVENUE ELK GROVE VILLAGE IL., 60007
TEL : (1)847 - 437 - 3333 FAX : (1)847 - 437 - 3574
European Operation VOSSENDAAL 11, 2440 GEEL, BELGIUM
TEL : (32)14 - 562200 FAX : (32)14 - 593405 - 06

PLEASE CONTACT

www.hyundai-ce.com

2003. 11 Rev 2.

CRAWLER EXCAVATOR

Cummins B3.9-C Engine :

86 kW / 115 HP

Operating weight :

R140LC-7 : 13,790~14,210 kg (30,400~31,330 lb)

R140LCD-7 : 14,590~14,800 kg (32,160~32,630 lb)

R140LCM-7 : 16,880 kg (37,210 lb)

Bucket capacity, SAE :

0.23~0.71 m³ (0.30~0.93 yd³)

■ Photo may include optional equipment.

HYUNDAI
HEAVY INDUSTRIES CO.,LTD.

**Built for Maximum Power,
Performance, Reliability.**



New Robex 7 Series

A new chapter in construction equipment has now begun.
Making the dream a reality.

Operator's Comfort is Foremost. Wide Cab Exceeds Industry Standards.



Visibility

- Even more visibility than before, for safer, more efficient operating.



Excellent Ventilation

- Ventilation has been improved by the addition of the larger fresh air intake system, and by providing additional air flow throughout the cab.
- Sliding front and side windows provide improved ventilation.
- A large sunroof offers upward visibility and additional ventilation.



Comfortable Operator Environment

- The control levers and seat can be adjusted to provide maximum operator comfort.
- The seat is fully adjustable for optimum operating position, reducing operator fatigue.
- Console boxes slide forward and backward for improved accessibility.
- The proportional pressure controls reduce unnecessary exertion while ensuring precise operation.
- Large windows allow excellent visibility in all directions.



Low noise design

- The Robex 7 series was designed with low operation noise in mind.
- Hyundai engineering helps to keep interior and exterior noise levels to a minimum.
- The cab's noise levels have been additionally reduced by improving the door seals for the cab and engine compartments.
- An insulated diesel engine compartment with sound-damping material also reduces noise.



1 Wide, Comfortable Operating Space 2 Steel Cover Sunroof 3 Dial Type Engine Speed Switch and Key Switch





Wide Cab with Excellent Visibility

The cab is roomy and ergonomically designed with low noise level and good visibility. A full view front window and large rear and side windows provide excellent visibility in all directions.



Highly Sensitive Joystick and Easy Entrance

New joystick grips for precise control have been equipped with double switches. (Left: Power boost / One touch deceleration, Right: Horn/Optional)



Easy-to-Reach Control Panels

Switches and other essential controls are located near the operator. This helps keep operator movement to a minimum, enhancing control with less operator fatigue.

Wide, Comfortable Operating Space

All the controls are designed and positioned according to the latest ergonomic research. Reinforced pillars have also been added for greater cab rigidity.



Remote Radio Control and Deluxe Cassette

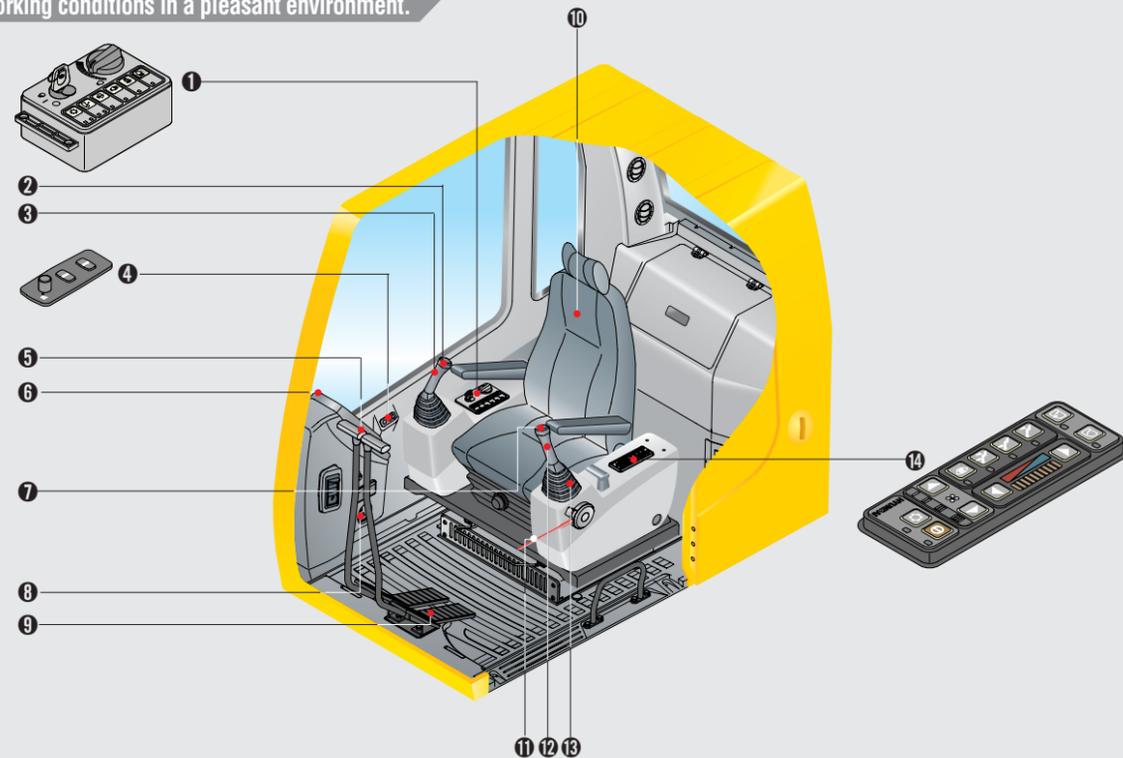


Rise-up Wiper and Cabin Lights

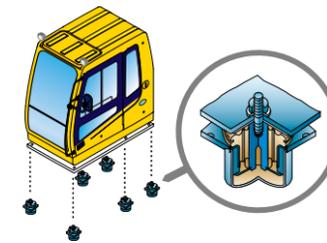
Raise-up wiper has enhanced for the better front view. Cabin Lights enhances safety by brightly lighting the surroundings during night work(optional)



The best working conditions in a pleasant environment.



- | | | | |
|------------------------------|--------------------------|-------------------------------------|--|
| 1 Centralized control pannel | 5 Travel lever | 9 Travel pedal | 13 Joystick control lever |
| 2 Horn button | 6 Cluster | 10 Fully adjustable suspension seat | 14 Air Conditioner and Heater controller |
| 3 Option button | 7 One touch decel button | 11 Safety lever | |
| 4 Remote Radio control | 8 Hour meter | 12 Power boost button | |



Minimization of Shock and Vibration through Cab Mounting System

The application of Viscous Mounting to the cabin support provides the operator with a much improved ride. The operator work efficiency will increase as the shock and noise level in the cabin decreases.

Improved Intelligent Display

Instrument Panel is installed in front of RH console box. It is easy to check all critical systems with easy-to-read indicators.



Smooth Travel Pedal and Foot Rests



Rear Emergency Exit Window

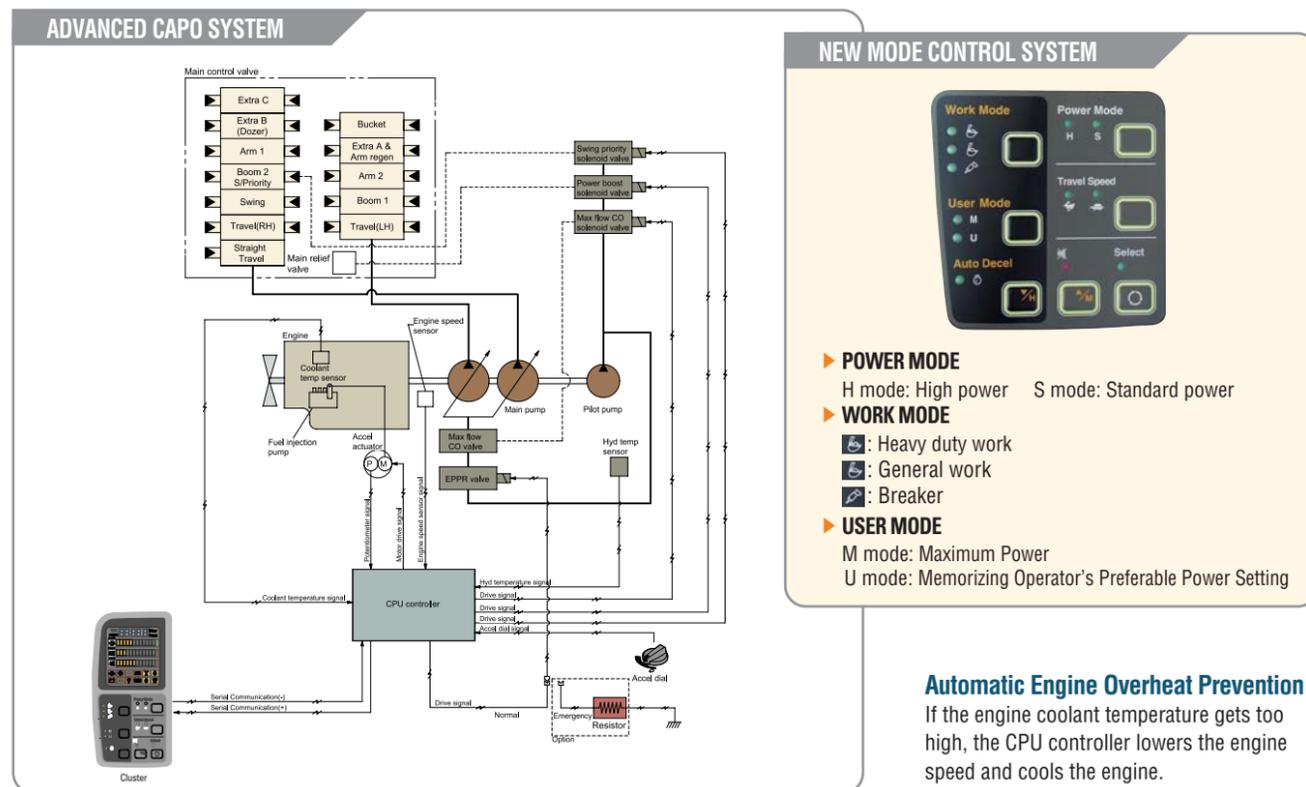
Rear Exit Window is designed with easy exit for operator's safety.



Hot & Cool Box

The New Cab has even more space for the operator. An Additional storage box is located behind operators seat, and it keeps food and beverages cool or hot.





Advanced CAPO System

The Advanced CAPO (Computer Aided Power Optimization) system maintains engine and mutual pump power at optimum levels. Mode selections are designed for various work loads and maintaining high performance while reducing fuel consumption. Features such as auto deceleration and power boost are included in the system. The system monitors engine speed, coolant temperature, and hydraulic oil temperature. Contained within the system are self diagnostic capabilities which are displayed by error codes on the cluster.

Self Diagnosis System

The CPU controller diagnoses problems in the CAPO system caused by electric and hydraulic malfunctions and displays them on the LCD monitor of the cluster through error codes. This controller has the capacity to identify 48 distinct types of errors. As the information from this device, such as engine rpm, main pump delivery pressure, battery voltage, hyd. temperature, and the state of all types of electric switches, provides the operator with a much more exact state of machine operating condition. This makes the machine easier to troubleshoot when anything does go wrong.

Arm Flow Regeneration System

Arm flow regeneration valve provides smooth arm-in operation without cavitation.

Boom & Arm Holding System

The Holding valves in the main control valve prevents the boom & arm from dropping over an extended period in neutral position.

Auto Deceleration System

When remote-control valves are in neutral position more than 4 seconds, CPU controller instructs the accel actuator to reduce engine speed to 1200rpm. This decreases fuel consumption and reduces cab noise levels.

One Touch Decel System

When the one touch decel switch is pressed, CPU controller controls the accel actuator to reduce engine speed to 950 rpm. And then the one touch decel switch is pressed again, the engine speed recovers.

Max. Flow Cut-off System

For precise control and finishing work, the Max. Flow Cut-off System reduces pump flow, thus allowing smooth operation.

NEW MODE CONTROL SYSTEM

- ▶ **POWER MODE**
H mode: High power S mode: Standard power
- ▶ **WORK MODE**
[Icon]: Heavy duty work
[Icon]: General work
[Icon]: Breaker
- ▶ **USER MODE**
M mode: Maximum Power
U mode: Memorizing Operator's Preferable Power Setting

Automatic Engine Overheat Prevention

If the engine coolant temperature gets too high, the CPU controller lowers the engine speed and cools the engine.

Anti Restart System

The new system protects the starter from restarting during engine operation, even if the operator accidentally turns the start key again.

Power boost control System

When the power boost system is activated, digging power increases about 10%. It is especially useful when extra power is temporarily needed, for instance, when digging hard earth and rock, or if the bucket teeth are stopped by a stubborn tree root.

Automatic Warming-up System

After the engine is started, if the engine coolant temperature is low, the CPU controller increases the engine speed and automatically increases the pump flow rate to warm up the engine more effectively.

Pump Flow Control System

In neutral position: Pump flow is reduced to a minimum to eliminate power loss.
In operation: Maximum pump flow is delivered to the actuator to increase the speed. With movement of the control lever, pump flow is automatically adjusted and the actuator speed can be proportionally controlled.

Hydraulic Damper in Travel Pedal

Improved travel controllability & feeling by shock reducing when starting and stopping.

CUMMINS B3.9-C ENGINE

The four cylinders, turbo-charged, 4 cycle, charger air cooled engine is built for power, reliability, economy and low emissions.



A More Reliable Way To Reach You Dream.

The Cummins B3.9-C engine has been designed with 40% fewer parts than the competition. That means there's less that can go wrong when you need it most. It also means fewer parts to inventory. Repairs are simplified because no special tools are needed for maintenance. The weight of the machine is reduced without sacrificing strength.

The B3.9-C engine is capable of reaching emission standards without electronic engine controls. You get a proven power plant that meets ecological concerns, without paying a premium for technology you don't need.

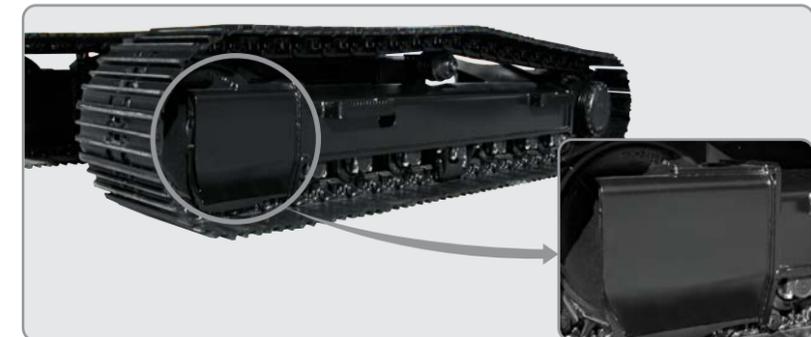
Reinforced Bucket and Bucket Linkage

Sealed and adjustable bucket linkage provides less wear of pins and bushes as well as silent operation. The design includes bucket link durability and anti wear characteristics. Additional reinforcement plates on cutting edge section. Reinforced bucket is made with thicker steel and additional lateral plate.



Track Rail Guide & Adjusters

Durable track rail guides keep track links in place. Track adjustment is made easy with standard grease cylinder track adjusters and shock absorbing springs.



Strong and Stable Lower Frame

Reinforced box-section frame is all welded, low-stress, high-strength steel. It guarantees safety and resistance against external impact when driving on rough ground and working on wet sites through high tensile strength steel panels, with highly durable upper and lower rollers and track guards. Long undercarriage incorporates heavy duty excavator style components. X-leg type center frame is integrally welded for maximum strength and durability.



Powerful and Preciser Swing Control

Improved shock absorbing characteristics make stopping a precise and smooth action



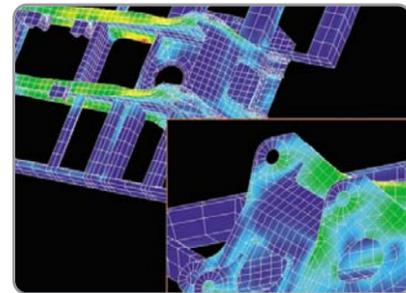
Full open doors and master key system provide easy access for servicing.

Handrails and foot steps are applied for safety



Side Cover with Left & Right Swing Open Type

Easy access to vital components gives unrestricted view of component allows easy maintenance and repair.



Durability of structure proven through FEM(Finite Element Method) analysis and long term durability test.



Large tool box for extra storage



Highly efficient Hydraulic Pump

Pump output and Hydraulic tank capacity have been increased. A pilot pump has been installed resulting in improved control sensitivity.



Centralized Electric Control Box and Easy Change Air Cleaner Assembly

Electric control box and Air cleaner are centralized in one or the same compartment for easy service.



Easy to maintain engine components

The cooling and preheating system are provided for optimum and immediate operation, guaranteeing longer life for the engine and hydraulic components. Servicing of the engine and hydraulics is considerably simplified due to total accessibility.

* Photo may include optional equipment.

Engine

Model		Cummins B3.9-C	
Type		Water cooled, 4 cycle Diesel, 4-Cylinders in-line Direct injection, Turbocharged, Charger air cooled Low emission	
Rated flywheel horse power	SAE	J1995 (gross)	115 HP (86 kW) at 2100 rpm
		J1349 (net)	105 HP (78 kW) at 2100 rpm
	DIN	6271/1 (gross)	117 PS (86 kW) at 2100 rpm
		6271/1 (net)	106 PS (78 kW) at 2100 rpm
Max. torque		47.7 kgf.m(345 lbf.ft) at 1500 rpm	
Bore x stroke		102 x 120 mm (4" x 4.7")	
Piston		3,900 cc (238 cu in)	
Batteries		2 x 12 V x 80 AH	
Starting motor		24 V- 4.5kW	
Alternator		24V-50 Amp	

Hydraulic system

Main pump	
Type	Two variable displacement piston pumps
Rated flow	2 x 130 l/min (34.3 US gpm / 28.6 UK gpm)
Sub-pump for pilot circuit	Gear pump
Cross-sensing and fuel saving pump system	
Hydraulic motors	
Travel	Two speed axial piston motor with brake valve and parking brake
Swing	Axial piston motor with automatic brake
Relief valve setting	
Implement circuits	330 kgf/cm ² (4690 psi)
Travel	330 kgf/cm ² (4690 psi)
Power boost (boom, arm, bucket)	360 kgf/cm ² (5120 psi)
Swing circuit	240 kgf/cm ² (3410 psi)
Pilot circuit	35 kgf/cm ² (500 psi)
Service valve	Installed
Hydraulic cylinders	
Boom	2-105 x 75 x 1075 mm (4.1" x 3.0" x 42.3")
Arm	1-115 x 80 x 1188 mm (4.5" x 3.1" x 46.8")
Bucket	1-100 x 70 x 855 mm (3.9" x 2.8" x 33.7")
Blade	2-100 x 65 x 270 mm (3.9" x 2.8" x 10.6")
2-PCS boom	2-105 x 75 x 975mm(4.1" x 3.0" x 38.4")
Adjust(boom)	1-145 x 90 x 610mm(5.7" x 3.5" x 24.0")

Drives & Brakes

Drive method	Fully hydrostatic type
Drive motor	Axial piston motor, in-shoe design
Reduction system	Planetary reduction gear
Max. drawbar pull	13300 kgf (29320 lbf)
Max. travel speed(high) / (low)	5.3 km/hr (3.3 mph) / 3.3 km/hr (2.1 mph)
Gradeability	35° (70 %)
Parking brake	multi wet disc

Control

Pilot pressure operated joysticks and pedals with detachable lever provide almost effortless and fatigueless operation.

Pilot control	Two joysticks with one safety lever (LH): Swing and arm, (RH): Boom and bucket(ISO)
Traveling and steering	Two levers with pedals
Engine throttle	Electric, Dial type
External Lights	Two lights mounted on the boom one under the battery box

Swing system

Swing motor	Axial piston motor
Swing reduction	Planetary gear reduction
Swing circuit lubrication	Grease-bathed
Swing brake	multi wet disc
Swing speed	13.6 rpm

Coolant & Lubricant capacity

(refilling)	liter	US gal	UK gal
Fuel tank	270.0	71.3	59.4
Engine coolant	24.0	6.3	5.3
Engine oil	15.3	4.0	3.4
Swing device-gear oil	2.5	0.66	0.55
Final drive(each)-gear oil	3.0	0.79	0.66
Hydraulic system(including tank)	210.0	55.5	46.2
Hydraulic tank	124.0	32.8	27.3

Undercarriage

X-leg type center frame is integrally welded with reinforced box-section track frames. The undercarriage includes lubricated rollers, idlers, track adjusters with shock absorbing spring and sprocket, and track chain with double or triple grouser shoes.

Description	R140LC-7/R140LCD-7	R140LCM-7
Center frame	X - leg type	
Track frame	Pentagonal box type	
No. of shoes on each side	46	47
No. of carrier roller on each side	1	2
No. of track roller on each side	7	7
No. of rail guides on each side	1	1

Operating weight (approximate)

Operating weight, including 4.6m (15' 1") One-piece boom, 2.5m (8' 2") arm, SAE heaped 0.58 m³ (0.76 yd³) backhoe bucket, lubricant, coolant, and full fuel tank, hydraulic tank and the standard equipment.

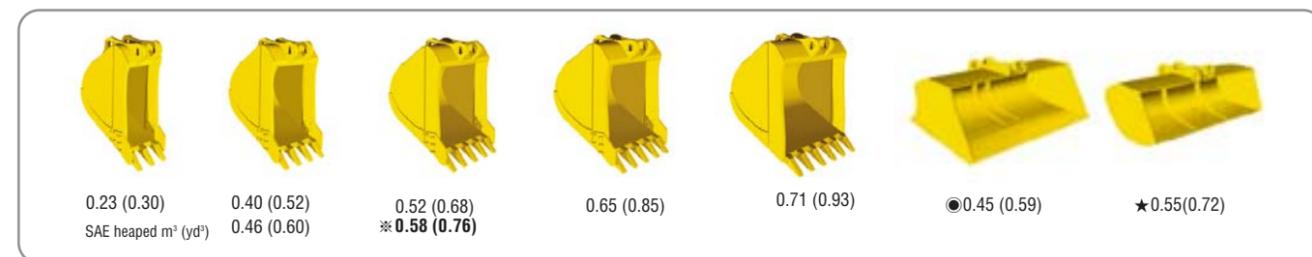
Major component weight	
Upperstructure	3,620kg (7,980 lb)
Counterweight	2,200kg (4,850 lb)
4.6m (15' 1") boom(with arm cylinder)	1,030kg (2,270 lb)

Operating weight

Shoes(Triple grouser) mm (in)		Operating weight kg (lb)	Ground pressure kgf/cm ² (psi)
500 (20")	R140LC-7	13790 (30400)	0.43 (6.11)
	R140LCD-7	14590 (32160)	0.45 (6.40)
※600 (24")	R140LC-7	13980 (30820)	0.36 (5.12)
	R140LCD-7	14800 (32630)	0.38 (5.40)
700 (28")	R140LC-7	14210 (31330)	0.32 (4.55)
800 (31")	R140LCM-7	16,880 (37,210)	0.32 (4.55)

※ Standard equipment

Buckets



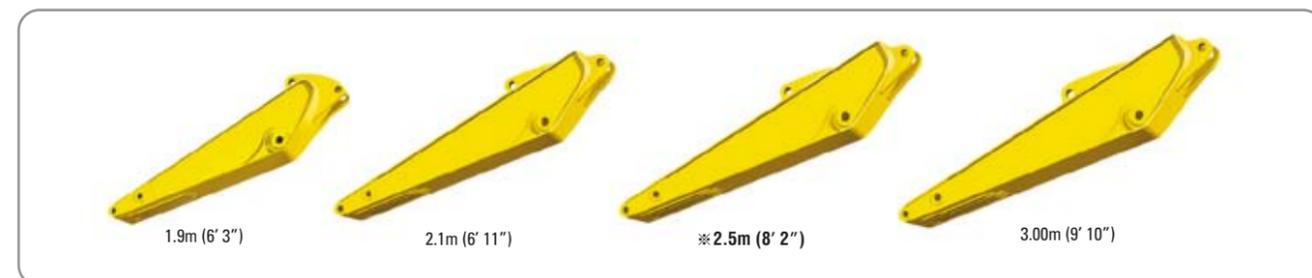
Capacity m ³ (yd ³)		Width mm (in)		Weight kg (lb)	Recommendation mm(ft.in)									
SAE heaped	CECE heaped	Without side cutters	With side cutters		Boom									
					※4.6 (15' 1")					4.1 (13' 5")		4.9(16' 1") Adjustable boom		
				Arm		1.9 (6' 3")	2.1 (6' 11")	2.5 (8' 2")	3.0 (9' 10")	1.9 (6' 3")	2.1 (6' 11")	1.9 (6' 3")	2.1 (6' 11")	2.5 (8' 2")
0.23 (0.30)	0.20(0.26)	520(20.5)	620(24.4)	335(740)	●	●	●	■	●	●	●	●	●	●
0.40 (0.52)	0.35(0.46)	760(29.9)	860(33.9)	410(900)	●	●	●	■	●	●	●	●	●	●
0.46 (0.60)	0.40(0.52)	850(33.5)	950(37.4)	435(960)	●	●	●	▲	●	●	●	●	●	■
0.52 (0.68)	0.45(0.59)	935(36.8)	1035(40.8)	460(1010)	●	●	●	-	●	●	●	■	▲	■
※0.58 (0.76)	0.50(0.65)	1030(40.6)	1130(44.5)	480(1060)	●	●	■	-	●	●	■	▲	▲	▲
0.65 (0.85)	0.55(0.72)	1110(43.7)	1210(47.6)	500(1100)	■	■	▲	-	●	■	▲	▲	▲	-
0.71 (0.93)	0.60(0.78)	1205(47.4)	-	540(1190)	▲	▲	-	-	■	▲	▲	-	-	-
●0.45 (0.59)	0.40(0.52)	1520(59.8)	-	410(900)	●	●	■	-	●	●	■	■	▲	▲
★0.55 (0.72)	0.45(0.59)	1800(70.9)	-	585(1290)	■	■	▲	-	●	●	■	▲	▲	▲

※: Standard backhoe bucket
●: Slope finishing bucket
★: Ditching bucket

●: Applicable for materials with density of 2,000 kg / m³ (3,370 lb/ yd³) or less
■: Applicable for materials with density of 1,600 kg / m³ (2,700 lb/ yd³) or less
▲: Applicable for materials with density of 1,100 kg / m³ (1,850 lb/ yd³) or less

Arms

Boom and arms are of all-welded, low-stress, full-box section design. 4.6m(15' 1"), 4.1m(13' 5") mono boom and 4.9m(16' 1") adjustable boom and 1.90m(6' 3"), 2.10m(6' 11"), 2.50m(8' 2"),3.00m(9' 10") arms are available. Buckets are all-welded, high-strength steel implements.



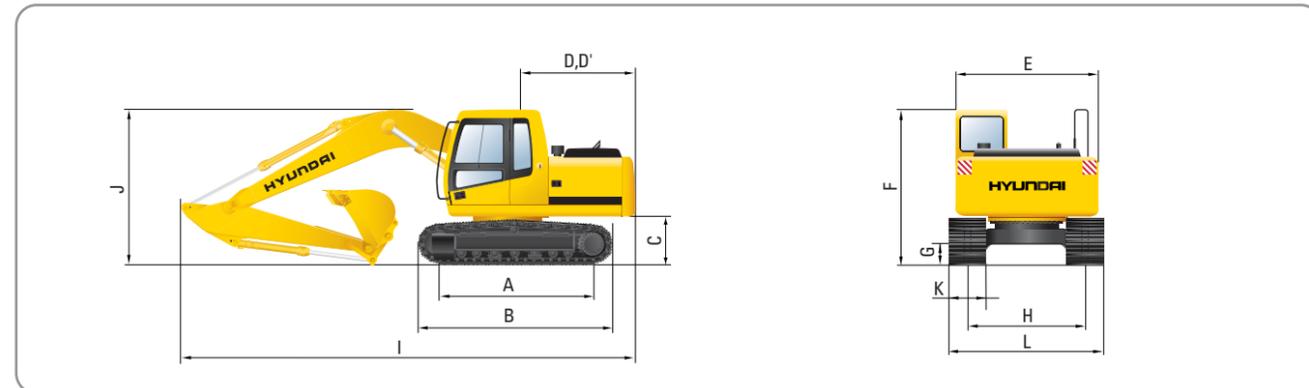
Digging force

Arm	Length	m(ft.in)	1.90 (6' 3")	2.10 (6' 11")	※2.50 (8' 2")	3.00 (9' 10")	Remark
			Weight	kg(lb)	560 (1230)	580 (1280)	
Bucket digging force	SAE	kN	83.4 [91]	83.4 [91]	83.4 [91]	83.4 [91]	[]: Power Boost
			kgf	8500 [9270]	8500 [9270]	8500 [9270]	
ISO	kgf	96.1 [104.8]	96.1 [104.8]	96.1 [104.8]	96.1 [104.8]		
		lbf	21610 [23570]	21610 [23570]	21610 [23570]	21610 [23570]	
Arm crowd force	SAE	kN	74.5 [81.3]	71.6 [78.1]	61.8 [67.4]	53.9 [59.0]	
			kgf	7600 [8290]	7300 [7960]	6300 [6870]	
ISO	kgf	78.5 [85.6]	75.5 [82.4]	64.7 [70.6]	56.9 [62.1]		
		lbf	17640 [19240]	16980 [18520]	14550 [15870]	12790 [13950]	

Note : Arm weight including bucket cylinder and linkage.

※ Standard arm

Dimensions R140LC-7



mm (ft · in)

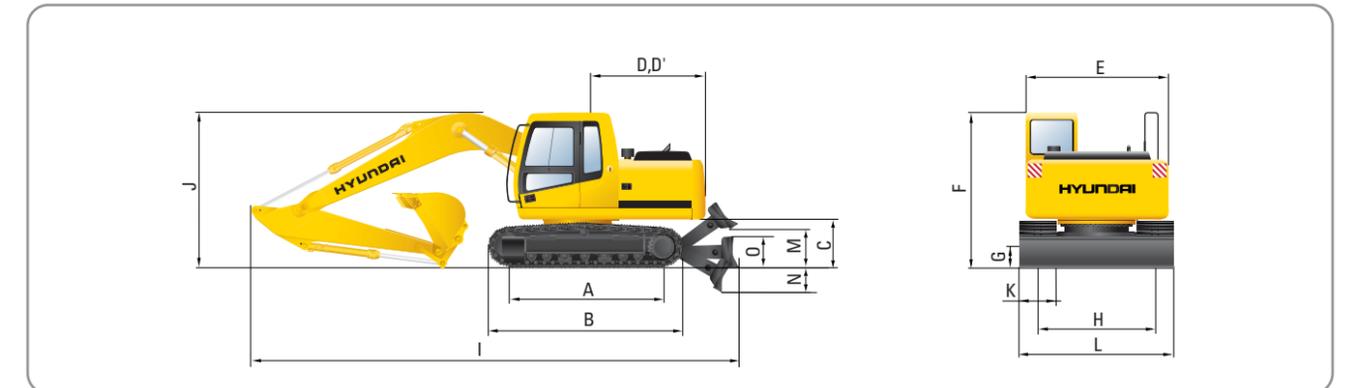
A	Tumbler distance	3000 (9' 10")
B	Overall length of crawler	3750 (12' 4")
C	Ground clearance of counterweight	935 (3' 1")
D	Tail swing radius	2310 (7' 7")
D'	Rear-end length	2280 (7' 6")
E	Overall width of upperstructure	2500 (8' 2")
F	Overall height of cab	2820 (9' 3")
G	Min. ground clearance	440 (1' 5")
H	Track gauge	2000 (6' 7")

mm (ft · in)

Boom length	※ 4600 (15' 1")			※ 4100 (13' 5")		
Arm length	1900 (6' 3")	2100 (6' 11")	※ 2500 (8' 2")	3000 (9' 10")	1900 (6' 3")	2100 (6' 11")
I Overall length	7810 (25' 7")	7830 (25' 8")	7800 (25' 7")	7740 (25' 5")	7310 (24' 0")	7330 (24' 6")
J Overall height of boom	2640 (8' 8")	2750 (9' 0")	2760 (9' 1")	3070 (10' 1")	2680 (8' 10")	2820 (9' 3")
K Track shoe width	500 (20")	※ 600 (24")		700 (28")		
L Overall width	2500 (8' 2")	2600 (8' 6")		2700 (8' 10")		

※ Standard equipment

Dimensions R140LCD-7



mm (ft · in)

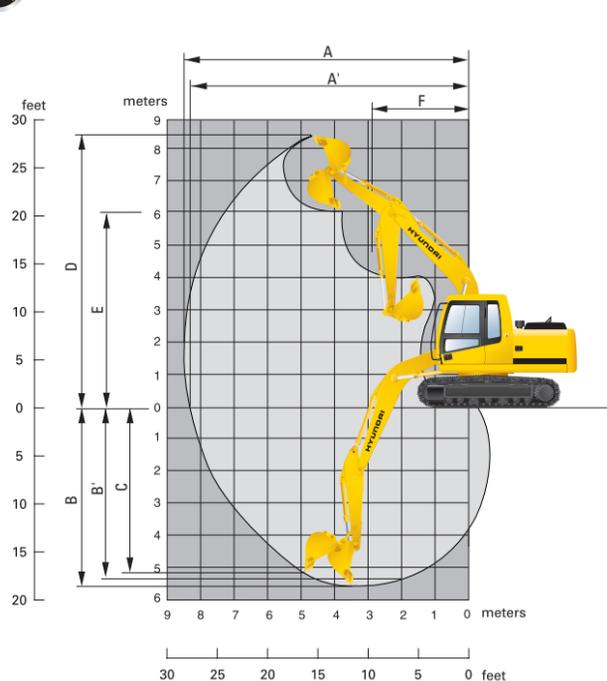
A	Tumbler distance	3000 (9' 10")
B	Overall length of crawler	3750 (12' 4")
C	Ground clearance of counterweight	935 (3' 1")
D	Tail swing radius	2310 (7' 7")
D'	Rear-end length	2280 (7' 6")
E	Overall width of upperstructure	2500 (8' 2")
F	Overall height of cab	2820 (9' 3")
G	Min. ground clearance	440 (1' 5")
H	Track gauge	2000 (6' 7")
M	Ground clearance of blade up	625 (2' 1")
N	Depth of blade down	515 (1' 8")
O	Height of blade	550 (1' 10")
	Width of blade	2500 (8' 2") 2600 (8' 6")

mm (ft · in)

Boom length	※ 4600 (15' 1")			※ 4100 (13' 5")		
Arm length	1900 (6' 3")	2100 (6' 11")	※ 2500 (8' 2")	3000 (9' 10")	1900 (6' 3")	2100 (6' 11")
I Overall length	8220 (27' 0")	8240 (27' 0")	8210 (26' 11")	8150 (26' 9")	7720 (25' 4")	7740 (25' 5")
J Overall height of boom	2640 (8' 8")	2750 (9' 0")	2760 (9' 1")	3070 (10' 1")	2680 (8' 10")	2820 (9' 3")
K Track shoe width	500 (20")	※ 600 (24")		700 (28")		
L Overall width	2500 (8' 2")	2600 (8' 6")		2700 (8' 10")		

※ Standard equipment

Working ranges

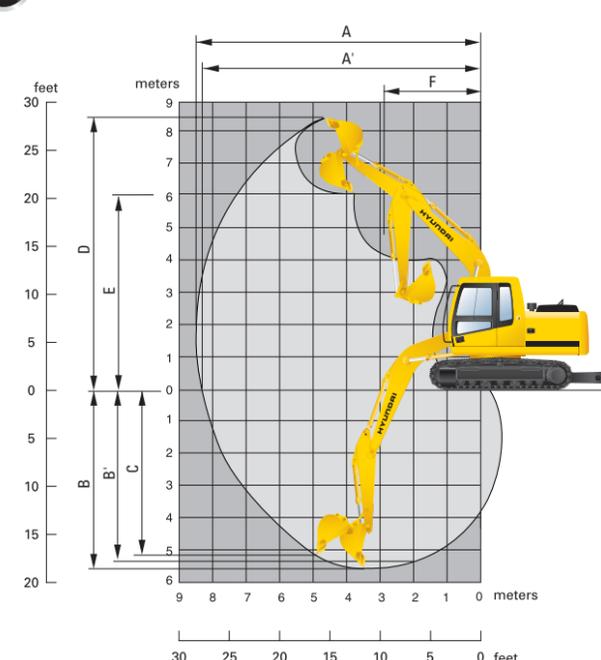


mm (ft · in)

Boom length	※ 4600 (15' 1")			※ 4100 (13' 5")		
Arm length	1900 (6' 3")	2100 (6' 11")	※ 2500 (8' 2")	3000 (9' 10")	1900 (6' 3")	2100 (6' 11")
A Max. digging reach	7750 (25' 5")	7920 (26' 0")	8340 (27' 4")	8800 (28' 10")	7250 (23' 9")	7420 (24' 4")
A' Max. digging reach on ground	7600 (24' 11")	7780 (25' 6")	8200 (26' 11")	8670 (28' 5")	7100 (23' 4")	7270 (23' 10")
B Max. digging depth	5000 (16' 5")	5200 (17' 1")	5600 (18' 4")	6100 (20' 0")	4570 (15' 0")	4770 (15' 8")
B' Max. digging depth(8' level)	4730 (15' 6")	4950 (16' 3")	5390 (17' 8")	5910 (19' 5")	4310 (14' 2")	4520 (14' 10")
C Max. vertical wall digging depth	4460 (14' 8")	4590 (15' 1")	5120 (16' 10")	5660 (18' 7")	4090 (14' 5")	4220 (13' 10")
D Max. digging height	8060 (26' 5")	8140 (26' 8")	8520 (27' 11")	8730 (28' 8")	7660 (25' 2")	7730 (25' 4")
E Max. dumping height	5630 (18' 6")	5710 (18' 9")	6080 (19' 11")	6280 (20' 7")	5220 (17' 2")	5290 (17' 4")
F Min. swing radius	2620 (8' 7")	2680 (8' 10")	2620 (8' 7")	2660 (8' 9")	2350 (7' 9")	2470 (8' 1")

※ Standard Equipment

Working ranges

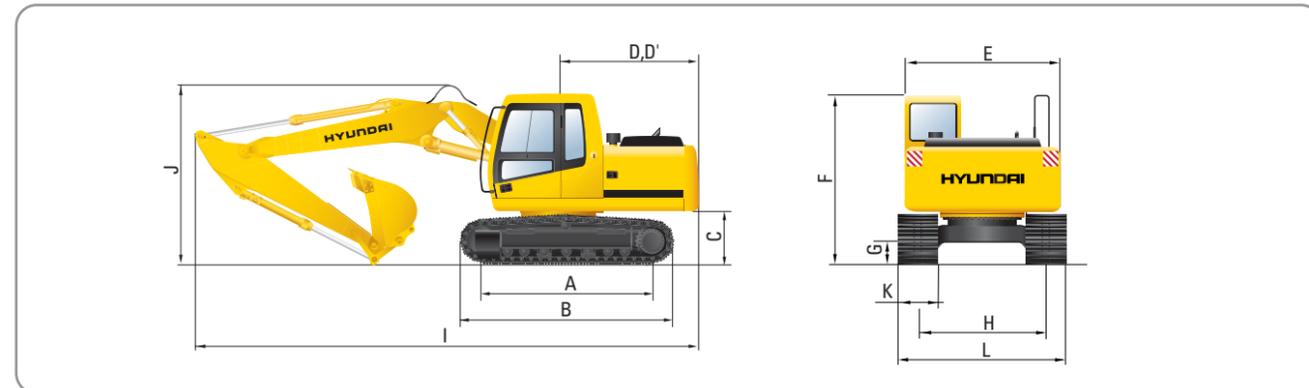


mm (ft · in)

Boom length	※ 4600 (15' 1")			※ 4100 (13' 5")		
Arm length	1900 (6' 3")	2100 (6' 11")	※ 2500 (8' 2")	3000 (9' 10")	1900 (6' 3")	2100 (6' 11")
A Max. digging reach	7750 (25' 5")	7920 (26' 0")	8340 (27' 4")	8800 (28' 10")	7250 (23' 9")	7420 (24' 4")
A' Max. digging reach on ground	7600 (24' 11")	7780 (25' 6")	8200 (26' 11")	8670 (28' 5")	7100 (23' 4")	7270 (23' 10")
B Max. digging depth	5000 (16' 5")	5200 (17' 1")	5600 (18' 4")	6100 (20' 0")	4570 (15' 0")	4770 (15' 8")
B' Max. digging depth(8' level)	4730 (15' 6")	4950 (16' 3")	5390 (17' 8")	5910 (19' 5")	4310 (14' 2")	4520 (14' 10")
C Max. vertical wall digging depth	4460 (14' 8")	4590 (15' 1")	5120 (16' 10")	5660 (18' 7")	4090 (14' 5")	4220 (13' 10")
D Max. digging height	8060 (26' 5")	8140 (26' 8")	8520 (27' 11")	8730 (28' 8")	7660 (25' 2")	7730 (25' 4")
E Max. dumping height	5630 (18' 6")	5710 (18' 9")	6080 (19' 11")	6280 (20' 7")	5220 (17' 2")	5290 (17' 4")
F Min. swing radius	2620 (8' 7")	2680 (8' 10")	2620 (8' 7")	2660 (8' 9")	2350 (7' 9")	2470 (8' 1")

※ Standard Equipment

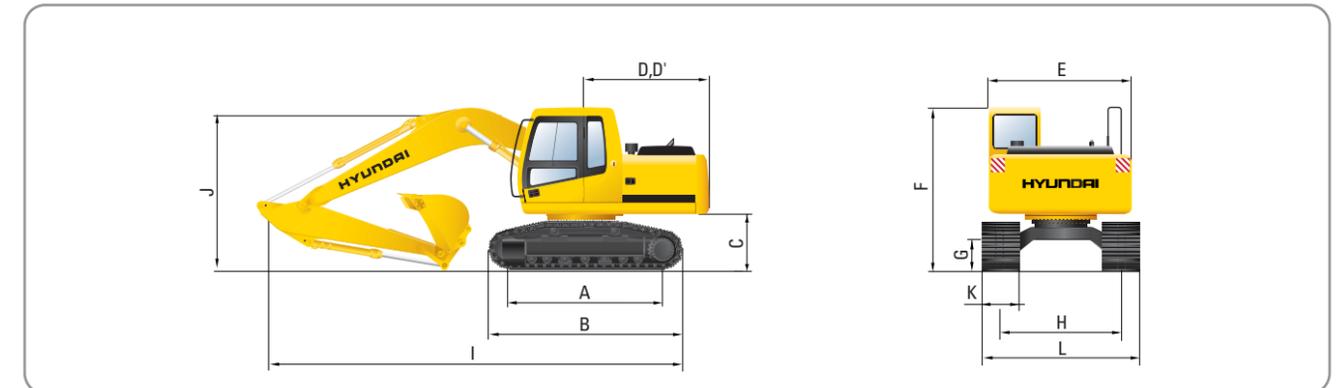
Dimensions R140LC-7 Adjustable boom



mm (ft · in)		
A	Tumbler distance	3000 (9' 10")
B	Overall length of crawler	3750 (12' 4")
C	Ground clearance of counterweight	935 (3' 1")
D	Tail swing radius	2310 (7' 7")
D'	Rear-end length	2280 (7' 6")
E	Overall width of upperstructure	2500 (8' 2")
F	Overall height of cab	2820 (9' 3")
G	Min. ground clearance	440 (1' 5")
H	Track gauge	2000 (6' 7")

mm (ft · in)				
Boom length		4900 (16' 1"), Adjustable boom		
Arm length		1900 (6' 3")	2100 (6' 11")	2500 (8' 2")
I	Overall length	8140 (26' 8")	8140 (26' 8")	8120 (26' 8")
J	Overall height of boom	2820 (9' 3")	2920 (9' 7")	2940 (9' 8")
K	Track shoe width	500 (19.7")	600 (23.6")	700 (27.6")
L	Overall width	2500 (8' 2")	2600 (8' 6")	2700 (8' 10")

Dimensions R140LCM-7

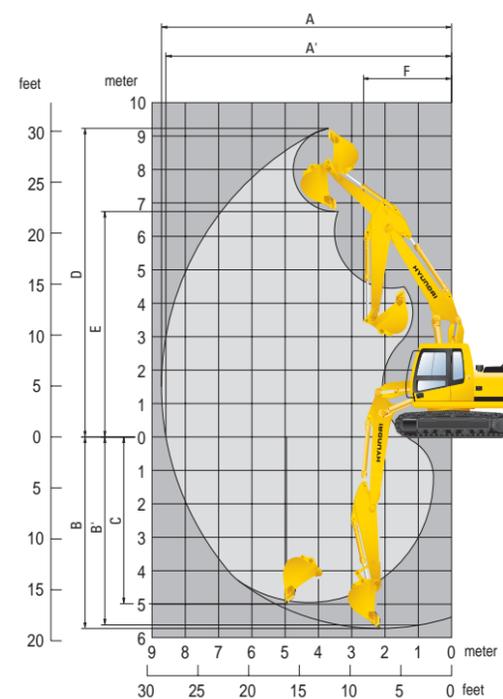


mm (ft · in)		
A	Tumbler distance	3030 (9' 11")
B	Overall length of crawler	3860 (12' 4")
C	Ground clearance of counterweight	1195 (3' 11")
D	Tail swing radius	2310 (7' 7")
D'	Rear-end length	2280 (7' 6")
E	Overall width of upperstructure	2500 (8' 2")
F	Overall height of cab	3080 (10' 1")
G	Min. ground clearance	600 (2' 0")
H	Track gauge	2040 (6' 8")

mm (ft · in)					
Boom length		※4600 (15' 1")			
Arm length		1900 (6' 3")	2100 (6' 11")	※2500 (8' 2")	3000 (9' 10")
I	Overall length	7760 (25' 6")	7810 (25' 7")	7770 (25' 6")	7810 (25' 7")
J	Overall height of boom	2740 (8' 12")	2850 (9' 4")	2810 (9' 3")	3080 (10' 1")
K	Track shoe width	※800 (31")			
L	Overall width	2910 (9' 7")			

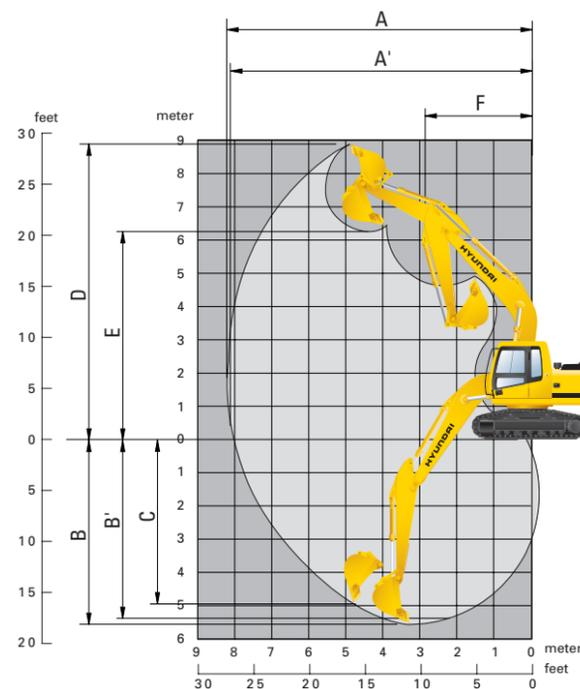
※Standard Equipment

Working ranges



mm (ft · in)				
Boom length		4900 (16' 1"), Adjustable boom		
Arm length		1900 (6' 3")	2100 (6' 11")	2500 (8' 2")
A	Max. digging reach	8140 (26' 8")	8310 (27' 3")	8720 (28' 7")
A'	Max. digging reach on ground	8000 (26' 3")	8180 (26' 10")	8590 (28' 2")
B	Max. digging depth	5140 (16' 10")	5340 (17' 6")	5740 (18' 10")
B'	Max. digging depth(8' level)	5020 (16' 6")	5220 (17' 2")	5630 (18' 6")
C	Max. vertical wall digging depth	4380 (14' 4")	4560 (15' 0")	5000 (16' 5")
D	Max. digging height	8770 (28' 9")	8870 (29' 1")	9230 (30' 3")
E	Max. dumping height	6280 (20' 7")	6390 (21' 0")	6740 (22' 1")
F	Min. swing radius	2660 (8' 9")	2800 (9' 2")	2670 (8' 9")

Working ranges



mm (ft · in)					
Boom length		※4600 (15' 1")			
Arm length		1900 (6' 3")	2100 (6' 11")	2500 (8' 2")	3000 (9' 10")
A	Max. digging reach	7750 (25' 5")	7920 (26' 0")	8340 (27' 4")	8800 (28' 10")
A'	Max. digging reach on ground	7540 (24' 9")	7720 (25' 4")	8130 (26' 8")	8600 (28' 3")
B	Max. digging depth	4700 (15' 5")	4900 (16' 1")	5300 (17' 5")	5800 (19' 0")
B'	Max. digging depth(8' level)	4440 (14' 7")	4650 (15' 3")	5100 (16' 9")	5620 (18' 5")
C	Max. vertical wall digging depth	4180 (13' 9")	4310 (14' 2")	4840 (15' 11")	5380 (17' 8")
D	Max. digging height	8340 (27' 4")	8410 (27' 7")	8740 (28' 8")	9010 (29' 7")
E	Max. dumping height	5900 (19' 4")	5980 (19' 7")	6300 (20' 8")	6560 (21' 6")
F	Min. swing radius	2620 (8' 7")	2680 (8' 10")	2620 (8' 7")	2660 (8' 9")

※Standard Equipment



Lifting capacities R140LC-7 Adjustable boom



Rating over-front



Rating over-side or 360 degree

• Boom : 4.9 m (16' 1") Adjustable • Arm : 1.9 m (6' 3") • Bucket : 0.58 m³ (0.76 yd³) SAE heaped • Shoe : 600 mm(24") triple grouser shoe with 2,200 kg (4,850 lb) Counterweight

Load point height m(ft)	Load radius								At max. reach	
	3.0 m(10.0 ft)		4.5 m(15.0 ft)		6.0 m(20.0 ft)		Capacity		Reach	
									m (ft)	
6.0 m 20.0 ft	kg lb			*2730 *6020	*2730 *6020			*2620 *5780	2030 4480	6.45 (21.2)
4.5 m 15.0 ft	kg lb			*3070 *6770	*3070 *6770	*2920 *6440	2230 4920	2550 5620	1550 3420	7.32 (24.0)
3.0m 10.0 ft	kg lb	*6070 *13380	*6070 *13380	*3930 *8660	3450 7610	*3230 *7120	2140 4720	2260 4980	1350 2980	7.76 (25.5)
1.5 m 5.0 ft	kg lb			*4920 *10850	3170 6990	3350 7390	2020 4450	2180 4810	1290 2840	7.84 (25.7)
Ground Line	kg lb	*3530 *11790	*5350 *11790	5130 11310	3000 6610	3250 7170	1930 4250	2280 5030	1350 2980	7.57 (24.8)
-1.5 m -5.0 ft	kg lb	*8700 *19180	*5680 *12520	5080 11200	2960 6530	3230 7120	1910 4210	2650 5840	1580 3480	6.93 (22.7)
-3.0 m -10.0 ft	kg lb	*7700 *16980	5840 12870	5170 11400	3030 6680					

• Boom : 4.9 m (16' 1") Adjustable • Arm : 2.1 m (6' 11") • Bucket : 0.58 m³ (0.76 yd³) SAE heaped • Shoe : 600 mm(24") triple grouser shoe with 2,200 kg (4,850 lb) Counterweight

Load point height m(ft)	Load radius								At max. reach	
	3.0 m(10.0 ft)		4.5 m(15.0 ft)		6.0 m(20.0 ft)		Capacity		Reach	
									m (ft)	
6.0 m 20.0 ft	kg lb			*2530 *5580	*2530 *5580			*2520 *5560	1920 4230	6.67 (21.9)
4.5 m 15.0 ft	kg lb			*2890 *6370	*2890 *6370	*2790 *6150	2250 4960	2440 5380	1490 3280	7.51 (24.6)
3.0m 10.0 ft	kg lb	*5620 *12390	*5620 *12390	*3750 *8270	3480 7670	*3120 *6880	2150 4740	2170 4780	1290 2840	7.93 (26.0)
1.5 m 5.0 ft	kg lb			*4770 *10520	3180 7010	3350 7390	2020 4450	2100 4630	1230 2710	8.01 (26.3)
Ground Line	kg lb	*5630 *12410	5610 12370	5120 11290	2990 6590	3240 7140	1930 4250	2190 4830	1280 2820	7.76 (25.5)
-1.5 m -5.0 ft	kg lb	*8800 *19400	5630 12410	5050 11130	2930 6460	3210 7080	1890 4170	2510 5530	1490 3280	7.13 (23.4)
-3.0 m -10.0 ft	kg lb	*7910 *17440	5770 12720	5120 11290	2990 6590					

• Boom : 4.9 m (16' 1") Adjustable • Arm : 2.5 m (8' 2") • Bucket : 0.58 m³ (0.76 yd³) SAE heaped • Shoe : 600 mm(24") triple grouser shoe with 2,200 kg (4,850 lb) Counterweight

Load point height m(ft)	Load radius										At max. reach			
	1.5 m(5.0 ft)		3.0 m(10.0 ft)		4.5 m(15.0 ft)		6.0 m(20.0 ft)		7.5 m(25.0 ft)		Capacity		Reach	
													m (ft)	
6.0 m 20.0 ft	kg lb							*2150 *4740	*2150 *4740			*2340 *5160	1680 3700	7.17 (23.5)
4.5 m 15.0 ft	kg lb					*2520 *5560	*2520 *5560	*2510 *5530	2290 5050			2210 4870	1330 2930	7.95 (26.1)
3.0m 10.0 ft	kg lb			*4770 *10520	*4770 *10520	*3400 *7500	*3400 *7500	*2880 *6350	2180 4810	*1720 *3790	1410 3110	1990 4390	1170 2580	8.35 (27.4)
1.5 m 5.0 ft	kg lb			*6780 *14950	6010 13250	*4480 *9880	3230 7120	3370 7430	2040 4500	2310 5090	1360 3000	1920 4230	1110 2450	8.42 (27.6)
Ground Line	kg lb			*5900 *13010	5640 12430	5140 11330	3000 6610	3240 7140	1920 4230	*2100 *4630	1320 2910	2000 4410	1160 2560	8.18 (26.8)
-1.5 m -5.0 ft	kg lb	*4660 *10270	*4660 *10270	*8160 *17990	5590 12320	5040 11110	2910 6420	3180 7010	1870 4120			2260 4980	1320 2910	7.59 (24.9)
-3.0 m -10.0 ft	kg lb			*8290 *18280	5690 12540	5060 11160	2940 6480	3220 7100	1900 4190					

NOTES

- Lifting capacity are based on SAE J1097, ISO 10567.
- Lifting capacity of the Robex Series does not exceed 75% of tipping load with the machine on firm, level ground or 87% of full hydraulic capacity.

- The load point is a hook (standard equipment) located on the back of the bucket.
- (*) indicates load limited by hydraulic capacity.



Lifting capacities R140LCM-7



Rating over-front



Rating over-side or 360 degree

• Boom : 4.6 m (15' 1") • Arm : 1.9 m (6' 3") • Bucket : 0.58 m³ (0.76 yd³) SAE heaped • Shoe : 800 mm(31") triple grouser shoe with 2,200 kg (4,850 lb) Counterweight

Load point height m(ft)	Load radius								At max. reach					
	1.5 m(5.0 ft)		3.0 m(10.0 ft)		4.5 m(15.0 ft)		6.0 m(20.0 ft)		Capacity					
											m (ft)			
6.0 m 20.0 ft	kg lb									*2630 *5800	2230 4920	6.87 (22.5)		
4.5 m 15.0 ft	kg lb					*2880 *6350	*2880 *6350	*2890 *6370	2740 6040	*2730 *6020	1810 3990	7.63 (25.0)		
3.0m 10.0 ft	kg lb					*5200 *11460	*5200 *11460	*3800 *8380	*3800 *8380	*3250 *7170	2650 5840	2580 5690	1630 3590	7.99 (26.2)
1.5 m 5.0 ft	kg lb					*7960 *17550	7390 16290	*4880 *10760	3940 8690	*3740 *8250	2530 5580	2530 5580	1590 3510	8.01 (26.3)
Ground Line	kg lb	*3550 *7830	*3550 *7830	*8720 *19220	7030 15500	*5660 *12480	3750 8270	3890 8580	2440 5380	2670 5890	1670 3680	2670 5890	1670 3680	7.70 (25.3)
-1.5 m -5.0 ft	kg lb	*6180 *13620	*6180 *13620	*9150 *20170	6980 15390	*5870 *12940	3680 8110	3850 8490	2400 5290	3100 6830	1950 4300	3100 6830	1950 4300	7.00 (23.0)
-3.0 m -10.0 ft	kg lb	*9400 *20720	*9400 *20720	*8100 *17860	7090 15630	*5320 *11730	3720 8200			*3260 *7190	2700 5950	2700 5950	2700 5950	5.74 (18.8)

• Boom : 4.6 m (15' 1") • Arm : 2.5 m (8' 2") • Bucket : 0.58 m³ (0.76 yd³) SAE heaped • Shoe : 800 mm(31") triple grouser shoe with 2,200 kg (4,850 lb) Counterweight

Load point height m(ft)	Load radius								At max. reach					
	1.5 m(5.0 ft)		3.0 m(10.0 ft)		4.5 m(15.0 ft)		6.0 m(20.0 ft)		Capacity					
											m (ft)			
6.0 m 20.0 ft	kg lb									*2600 *5730	2200 4850	6.87 (22.5)		
4.5 m 15.0 ft	kg lb					*2840 *6260	*2840 *6260	*2850 *6280	2710 5970	*2690 *5930	1790 3950	7.63 (25.0)		
3.0m 10.0 ft	kg lb					*5160 *11380	*5160 *11380	*3750 *8270	*3750 *8270	*3210 *7080	2610 5750	2560 5640	1600 3530	7.99 (26.2)
1.5 m 5.0 ft	kg lb					*7920 *17460	7350 16200	*4840 *10670	3910 8620	*3700 *8160	2500 5510	2510 5530	1560 3440	8.01 (26.3)
Ground Line	kg lb	*3580 *7890	*3580 *7890	*8750 *19290	6990 15410	*5620 *12390	3710 8180	3850 8490	2400 5290	2650 5840	1640 3620	2650 5840	1640 3620	7.70 (25.3)
-1.5 m -5.0 ft	kg lb	*6220 *13710	*6220 *13710	*9110 *20080	6940 15300	*5830 *12850	3640 8020	3810 8400	2370 5220	3070 6770	1920 4230	3070 6770	1920 4230	7.00 (23.0)
-3.0 m -10.0 ft	kg lb	*9430 *20790	*9430 *20790	*8060 *17770	7050 15540	*5280 *11640	3680 8110			*3230 *7120	2680 5910	2680 5910	2680 5910	5.74 (18.8)

• Boom : 4.6 m (15' 1") • Arm : 3.0 m (9' 10") • Bucket : 0.58 m³ (0.76 yd³) SAE heaped • Shoe : 800 mm(31") triple grouser shoe with 2,200 kg (4,850 lb) Counterweight

Load point height m(ft)	Load radius										At max. reach			
	1.5 m(5.0 ft)		3.0 m(10.0 ft)		4.5 m(15.0 ft)		6.0 m(20.0 ft)		Capacity		Reach			
											m (ft)			
6.0 m 20.0 ft	kg lb									*2550 *5620	2170 4780	6.87 (22.5)		
4.5 m 15.0 ft	kg lb					*2790 *6150	*2790 *6150	*2800 *6170	2670 5890	*2650 *5840	1750 3860	7.63 (25.0)		
3.0m 10.0 ft	kg lb					*5100 *11240	*5100 *11240	*3700 *8160	*3700 *8160	*3160 *6970	2570 5670	2520 5560	1560 3440	7.99 (26.2)
1.5 m 5.0 ft	kg lb					*7860 *17330	7300 16090	*4790 *10560	3860 8510	*3650 *8050	2450 5400	2470 5450	1520 3350	8.01 (26.3)
Ground Line	kg lb	*3630 *8000	*3630 *8000	*8780 *19360	6940 15300	*5560 *12260	3670 8090	3800 8380	2360 5200	2610 5750	1610 3550	2610 5750	1610 3550	7.70 (25.3)
-1.5 m -5.0 ft	kg lb	*6260 *13800	*6260 *13800	*9050 *19950	6880 15170	*5780 *12740	3590 7910	3760 8290	2320 5110	3040 6700	1890 4170	3040 6700	1890 4170	7.00 (23.0)
-3.0 m -10.0 ft	kg lb	*9470 *20880	*9470 *20880	*8000 *17640	6990 15410	*5220 *11510	3630 8000			*3190 *7030	2640 5820	2640 5820	2640 5820	5.74 (18.8)

NOTES

- Lifting capacity are based on SAE J1097, ISO 10567.
- Lifting capacity of the Robex Series does not exceed 75% of tipping load with the machine on firm, level ground or 87% of full hydraulic capacity.

- The load point is a hook (standard equipment) located on the back of the bucket.
- (*) indicates load limited by hydraulic capacity.