



Paload
by Palazzani

TECHNICAL SHEET PT62

PT 62

TELESCOPIC ARTICULATED LOADER

ENGINE

Complies with European Directive Model	97/68 CE - STAGE 2 Perkins 804C - 33T
Max. power ISO TR14396	HP - kW 85 - 62
Regimen adjusted	rpm 2600
Power adjusted CEE 80/1269	HP - kW 82 - 60
Power adjusted ISO 9249	HP - kW 82 -60
Number of cylinders - injection	4 - direct
Intake	Turbo feeded
Displacement	cc. 3331
Cooling	water
Air filter with double protection	dry
Electrical equipment	volt 12
Free maintenance battery	Ah 100
Self regulated alternator	W 600
Fuel tank capacity	l 80

TRANSMISSION

Hydrostatic transmission at closed circuit, with automatic adjustment of power, axial pistons pump and engine at variable displacement
Inching pedal control.
Automatic selection of working speed.
2 forward and 2 backward speeds, electrical control on the steering wheel and on the joystick.

SPEED

Forwards	Km/h	1st 0 ÷ 9	2nd automatic 0 ÷ 32
Backwards	Km/h	0 ÷ 9	0 ÷ 32

AXLES

With epicycloid reduction gears on all four driving wheels.

Front axle:	rigid.
Rear axle:	oscillating of a 25° total range steering and automatic proportional self-locking differential.

BRAKES

Duty brakes:	with hydraulic control and servobrake, autoregistrating multiple disks under oil bath.
Parking brakes:	manually operated, multiple disks under oil bath.

HYDRAULIC SYSTEM

Composed by: hydraulic gear pump, modular distributor with principal shock-proof and anticavitation valve.
Pressurised circuit.

Max pump capacity	100 l
Max pump pressure	210 Kg/cm ²
Loader lifting cylinder	Bore x Stroke 80 x 600 mm
Loader bucket cylinder	Bore x Stroke 90 x 514 mm
Hydraulic cycle time	8"
Oil tank capacity, circuit included	80 Kg

STEERING

Servoassisted, with hydroguide and articulated chassis. Total steering angle of 80°. The hydraulic system is "**Load Sensing**" equipped.

Steering radius interior tyres	2165 mm
Steering radius exterior tyres	3950 mm
Steering radius exterior bucket	4750 mm

TYRES

Standard:	driving type	14,5 x 20	14 Pr
Optional:	narrow type	385/65 - 22,5	16 Pr
Optional:	wide type	405/70 R20 radial	
Other models on request.			

LOADER

Single servocontrol lever for arm and bucket.
"Z" boom kinematism.

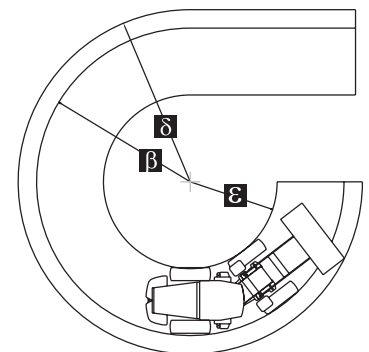
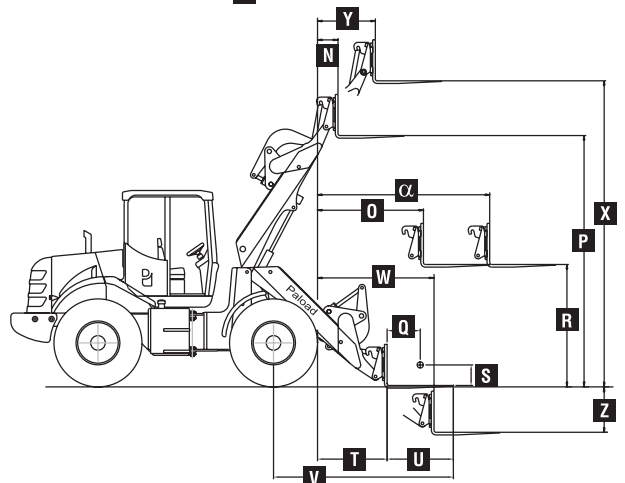
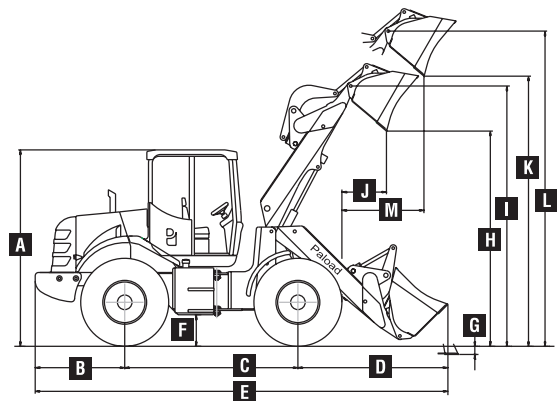
Standard bucket capacity	0,75 m ³
Standard bucket width	1900 mm
Breakout force	6100 kg
Lifting capacity at max height	2000 kg

DIMENSIONS AND WEIGHTS

Wheelbase	2200 mm
Front and rear track width	1430 mm
External tyres width	1785 mm
Bucket pin height	3810 mm
Unloading distance	685 mm
Bucket pin height (extended boom)	4575 mm
Unloading distance (extended boom)	1160 mm
Standard operating weight	5650 kg
Max operating weight	6100 kg

STANDARD EQUIPMENT

- > Loader servocontrol.
- > Automatic proportional self locking differential on rear axle.
- > Inching pedal control (transmission speed regulation).
- > Forks electro-hydraulic levelling.
- > Hydraulic servobrake.
- > Antipollution tank plugs.
- > Bucket with screwed teeth.
- > Reverse motion alarm.
- > Battery disconnecting switch.
- > Front and rear work lights.
- > Rotating lamp with magnetic fixing.
- > Shock absorbing and regulating seat with safety belt.
- > Regulating steering wheel.
- > Heating plant.
- > Air filter in aspiration from outside.
- > Rotoform roof for cabin protection.
- > Front mudguards in rotoform.
- > Unified key for lock and starting.
- > Tool box.
- > Use and maintenance manual, spare parts catalogue.
- > Accessories for road circulation.
- > Road homologation for daily and night circulation.
- > CE Certification.



OPTIONAL EQUIPMENT

- > Hydraulic quick bucket connection.
- > Universal forks.
- > Enlarged bucket.
- > Extra enlarged bucket for light material.
- > 4:1 multipurpose bucket.
- > Paper and branches grab.
- > Bucket with sidely unloading.
- > Mixer bucket.
- > Wood grab.
- > Snow blade or snow plough.
- > Front rotating brush.
- > Teeth blade.
- > Asphalt concrete milling.
- > Air filter with top spin.
- > Electric brake on inch pedal.
- > Electronic weighing system.
- > Air conditioning.
- > Theft protection.
- > Radio.
- > Eco-Drive gear, 4 speeds forward and 2 reverse.
- > Automatic proportional self locking differential on front axle.

For other accessories and equipment, for characteristics and dimensions, please see the "equipment catalogue".
 PALOAD is a mark produced by Palazzani Industrie S.p.A.

DATI D'ESERCIZIO

Tipping load with aligned machine (retracted boom)	Kg 3000	A	mm 2800	H	mm 3165	N	mm 525	U	mm 1000	β	mm 3950
Tipping load in max articulated position (retracted boom)	Kg 2680	B	mm 1310	I	mm 3810	O	mm 1325	V	mm 2230	δ	mm 4750
Tipping load with aligned machine (extended boom)	Kg 1900	C	mm 2200	J	mm 685	P	mm 3150	W	mm 1770	ε	mm 2165
Tipping load in max articulated position (extended boom)	Kg 1700	D	mm 2210	K	mm 3930	Q	mm 500	Z	mm 700		
Operative load with forks (retracted boom) (80%)	Kg 1950	E	mm 5720	L	mm 4575	R	mm 1475	X	mm 4435		
Operative load with forks (retracted boom) (60%)	Kg 1450	F	mm 380	M	mm 1160	S	mm 500	Y	mm 820		
Operative load with forks (extended boom) (80%)	Kg 1400	G	mm 75			T	mm 690	α	mm 2580		
Operative load with forks (extended boom) (60%)	Kg 950										

N C 301 A 05 Technical sheet PT 62 english Rev.04/2005



MACHINE IN CONFORMITY TO THE NEW MACHINES' STANDARDS 
 We reserve the right to change technical data, so all characteristics are purely indicative.
 Pictures don't show necessarily the machine in standard version.

COMPANY WITH QUALITY MANAGEMENT SYSTEM CERTIFIED BY DNV =ISO 9001: 2000=