



# **CRAWLER - MOUNTED MOBILE IMPACT CRUSHER**

## **PB 130 T**

Bohr- und Anlagentechnik GmbH

### **Recycling and crushing technology**



- ✓ **compact design and high efficiency**
- ✓ **high mobility**
- ✓ **fast on-duty availability**
- ✓ **low price and low operating costs**



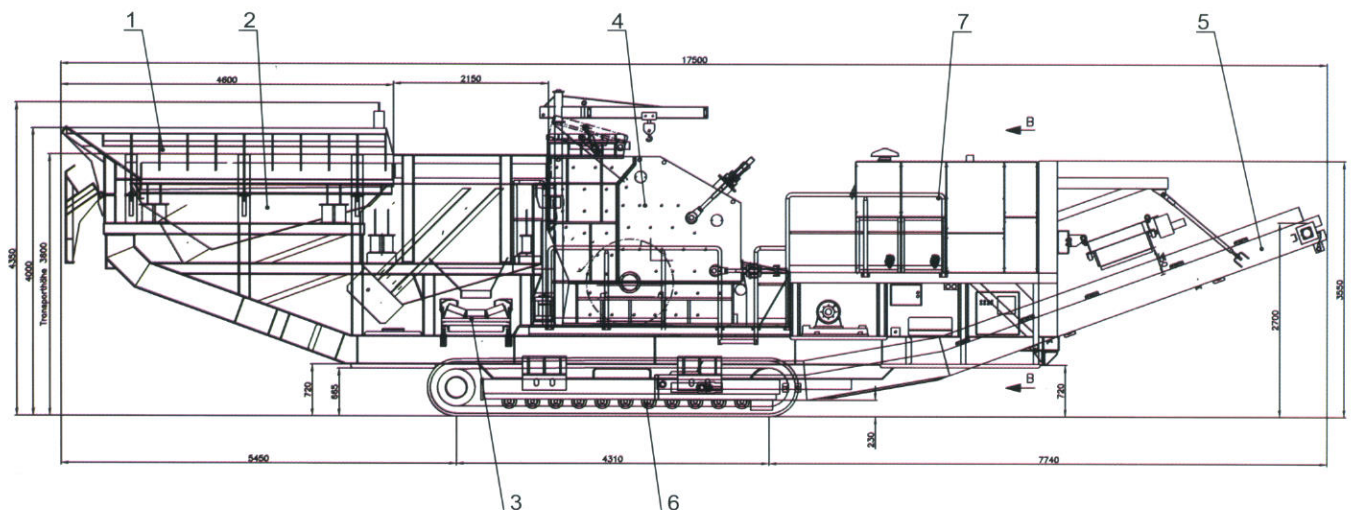
# CRAWLER - MOUNTED MOBILE IMPACT CRUSHER PB 130 T

## Equipment

1. Input hopper	m <sup>3</sup>	around	8
2. Material channel with bar screen	m <sup>2</sup>	around	2
3. Channel funnel			
4. Impact crusher with diesel - hydraulic drive			
5. Tape pulling out a material, drop height	mm	around	2.700
6. Crawler, large plates	mm	around	450
7. 8-cylinder engine, cooled with water with complete hydraulic	kW	around	350
<b>options:</b>	side tape, magnetic separator, hydraulic gap set-up, generator, radio control, spraying		

## Technical specification

Application	as crusher provided for building rubble and for operation within natural stone plants		
Sieving and its size	mm	around	0 - 40
Rotor	mm	around	1.200 x 1.200
Crusher inlet	mm	around	1.200 x 1.100
Output grain	mm	around	0 - 150
Flow capacity	t/h	250, depending on gap spacing, material, and its loading	
Weight	t	around	56,0
Transporting height	mm	around	3.600
Working height	mm	around	4.000
Transporting width	mm	around	2.980
Transporting length	mm	around	17.500



### BAT • Bohr- und Anlagentechnik GmbH

Bornalstraße 11,  
36460 Merkers, Germany  
Tel.: +49 / 36969 / 546-0  
Fax: +49 / 36969 / 546-15  
E-mail: BAT\_GmbH@t-online.de  
Internet: www.BAT-Maschinenbau.de



### BAT - delivery program

**Size reduction engineering:**  
tracked and stationary crushers and sorting equipment with the use of jaw, impact crushers, drum sieves and other components



This project is part-financed by the European Union and the Free State of Thuringia.