



FORKLIFT Excellent MODEL

15L / 18L / 20LA -7

HYUNDAI LPG FORKLIFT TRUCKS

We build a better future



■ Photos may include optional equipment.

High Performance & Superior Power



OPSS (Operator Presence Sensing System)

Mast tilting, lifting and lowering operation is not possible when the operator is not seated in normal position. (Option)



15L / 18L / 20LA -7

Hyundai introduces with its 7-series a new line of LPG forklift trucks. Excellent power and performance improves your business profitability.

HMC BETA ENGINE

37 kW / 2450 rpm



High Efficiency Engine

The HMC BETA engine ensures an incomparable performance and durability; with its market approved quality, this engine gives an additional value to the machine. With its power of 37 kW it will fit for any work, even with special attachments that require extensive power.



15L | 18L | 20LA -7

Smooth running, efficient and ergonomically designed, 15L/18L/20LA-7 series are made to meet your needs.

Concentrated and water-resistant instrument panel



- 1 Parking brake lamp
- 2 Directional indicators
- 3 Fuel warning lamp
- 4 Engine oil warning lamp
- 5 Transmission oil temperature warning lamp
- 6 Battery warning lamp
- 7 Air cleaner filter warning light
- 8 Working light indicator
- 9 Water separator warning lamp
- 10 Pre-heater indicator
- 11 Coolant temperature gauge
- 12 Fuel gauge
- 13 Hour meter
- 14 Engine check lamp
- 15 Seat belt warning
- 16 OPSS warning

Wet disc brake system

The adoption of wet disc type brakes improves the brake performance and makes your service intervals 5 times longer compared to conventional ones. A 45 % higher brake pedal effort on a 20 % slope increases your safety during operation.



Increased mast tilting angle

Utilizing the mast tilting angle of 8 degrees forward and 10 degrees backward gives the operator a safe and rapid platform for loading and unloading jobs.



Faster Travel Speed & Grade-ability

The powerful high-output engine provides greater acceleration, better grade-ability and faster travel speed on any tough terrain or slope.



Travel speed (MAX)

- 15L-7 : 20.7 km/h (12.9 mph)
- 18L-7 : 20.7 km/h (12.9 mph)
- 20LA-7 : 20.7 km/h (12.9 mph)

Grade-ability (MAX)

- 15L-7 : 37%
- 18L-7 : 33.1%
- 20LA-7 : 31%



New style 15L/18L/20LA-7

economical / easy maintenance



safety / environmental-friendly



Top Brand Worldwide

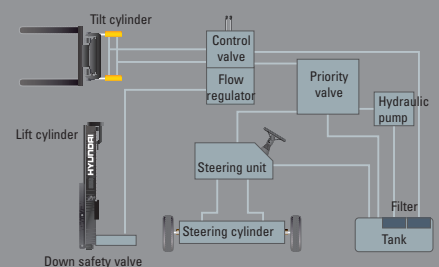
Fast and stable performance

Being able to quickly raise and lower the mast, as well as tilting forward and backward, the truck provides you the best operational conditions during loading/unloading operations. With a loaded truck, mast lowering speed is carefully controlled by a control valve to ensure full safety on the job.



State-of-the-art hydraulic system

The latest designed, large-capacity hydraulic system including a low-noise control valve increases reaction time during operation and improves both efficiency and durability.



Comfortable Operation



Perfect fit

An ergonomically designed operator's compartment enables the driver to select the most comfortable working position for increased productivity.

15L | 18L | 20LA -7

A design based on human engineering relieves fatigue and increases operator's efficiency.



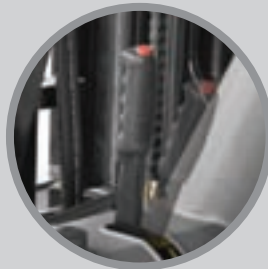
Quick Response of Control Levers

Only minimal operator's effort is required for precise, safe and productive control.



Multi-function switch lever

Multi-functional switch lever gives easy access to lights and horn.



Parking Brake

Toggle type parking brake requires less effort from the operator to set.



Adjustable steering wheel

Steering wheel with integrated horn can be adjusted by a lever on the right-hand side to improve operators comfort.



Easily adjustable suspension seat

An attractive and adjustable seat, based on a human engineering design, provides great comfort, safety and durability.



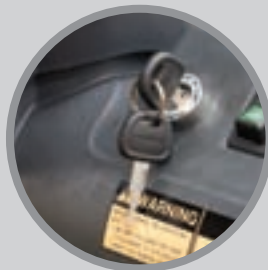
Strong overhead guard

The safety overhead guard meets EEC and ANSI regulations and protects the operator during hazardous jobs.



Cup holder & console box

Additional storage spaces are located inside the operating space for operator's convenience.



Anti-restart system

During operation the anti-restart system prevents activation of the starter.



Ergonomic positioned pedals

The accelerator, brake and inching pedal are optimally positioned for higher operator's convenience, based on human engineering.



New high visibility for safe operation

The operator is able to work with increased safety and accuracy due to a wider view mast.



The latest anti-vibration and shock absorbing system

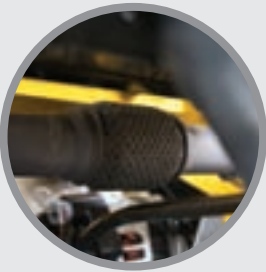
The anti-vibration rubber is installed between the guard and truck frame to reduce the source of vibration and noise while driving. This will not only reduce operator's fatigue but will also increase safety.

Endurance & Easy Maintenance



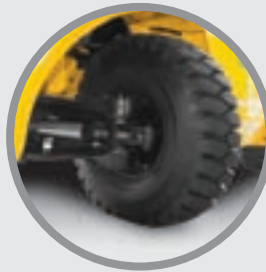
Danger-free through high durability!

Durability and easy maintenance were priorities in the design of the equipment.



Expansion bellows

The expansion bellows absorbs vibration and reduces noise generated from the exhaust gas system and extends the life cycle.



Fully hydrostatic power steering

A hydraulic steering system always guarantees smooth and flexible steering, preventing overrun and steering wheel kick-back.



Large footboard

Wide "open" step ensures easy and safe access to the operator's seat.



Rear safety lamp

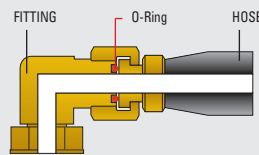
Rear combination lamps with directional indicators, rear lights and brake lights are positioned for a high level of safety.

Durable electric shift -power transmission



Durable Split Type Drive Axle

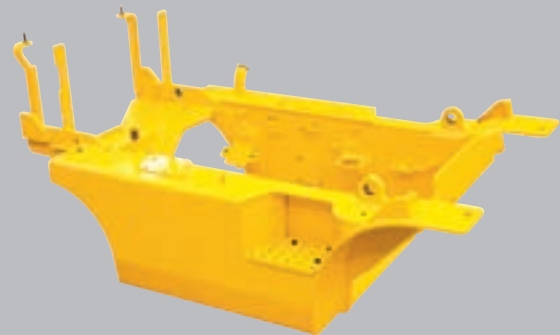
Powershift transmission provides fast and quiet travel under any heavy load condition, in order to boost work efficiency.



ORFS (O-Ring Face Seal)

ORFS type hose prevents hydraulic oil leakage.

Heavy duty single unit frame



Heavy duty single unit type frame, designed on the basis of accurate structural analysis, guarantees durability and safety.

15L | 18L | 20LA -7



Centralized design for easy service!

An ideal arrangement of component parts ensures easy access and convenience for maintenance.



Engine oil check



Heat resistant aluminum radiator



Low weight Side Cover



An accessible, compact fuse box for easy inspection



Easy Change Air Cleaner
(6 inch Cyclone Type)



Bright, protected headlights



Rotating battery installation

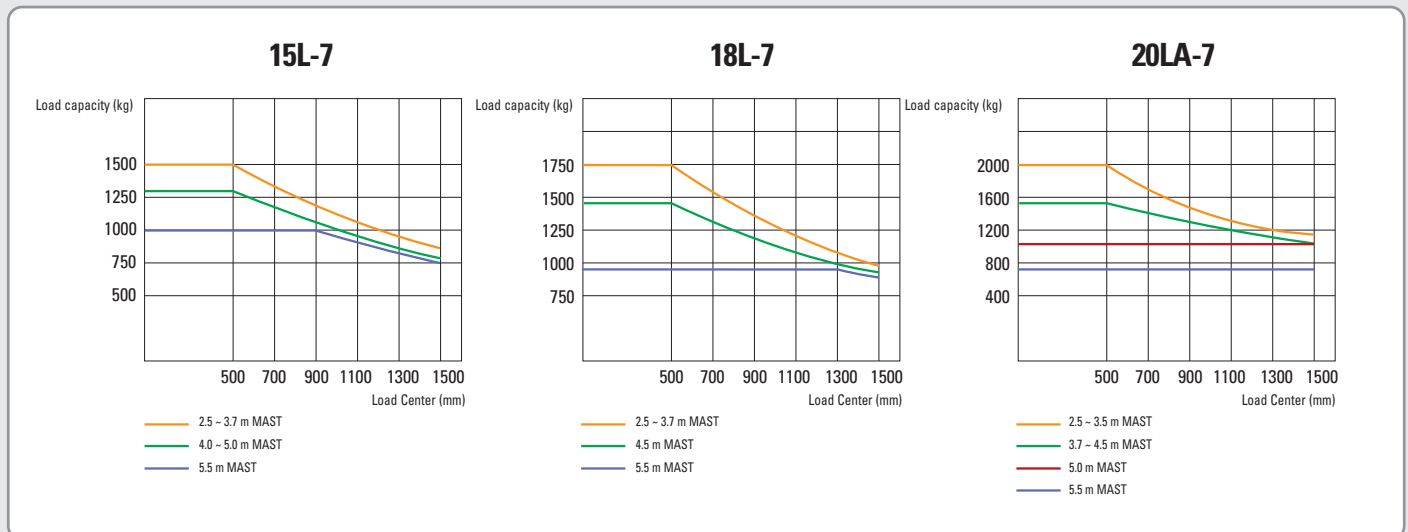
Specifications & Dimensions

Mast Specifications

Mast Type	Maximum Fork Height	Overall Height (Lowered)	Tilt Angle		Load Capacity w / o Side Shift 500 mm (24 in) LC Single Tire			Load Capacity w / Side Shift 500 mm (24 in) LC Single Tire			Truck Weight Unloaded Single Tire			Free Lift						
					15L-7			18L-7			20LA-7			15L-7			18L-7			20LA-7
			Fwd / Bwd	deg	deg	kg (lb)	kg (lb)	kg (lb)	kg (lb)	kg (lb)	kg (lb)	kg (lb)	kg (lb)	kg (lb)	kg (lb)	mm (in)	mm (in)	mm (in)	mm (in)	mm (in)
2 / Stage Limited Free Lift	V250	2,525 (99.4)	1,755 (69.1)	6	10	1,500 (3,000)	1,750 (3,500)	2,000 (4,000)	1,400 (3,000)	1,650 (3,500)	1,890 (4,000)	2,764 (6,094)	2,938 (6,478)	3,085 (6,801)	145 (5.7)	145 (5.7)	150 (5.9)	145 (5.7)	145 (5.7)	150 (5.9)
	V270	2,725 (107.3)	1,855 (73.0)	6	10	1,500 (3,000)	1,750 (3,500)	2,000 (4,000)	1,400 (3,000)	1,650 (3,500)	1,890 (4,000)	2,778 (6,124)	2,952 (6,506)	3,099 (6,831)	145 (5.7)	145 (5.7)	150 (5.9)	145 (5.7)	145 (5.7)	150 (5.9)
	V300	3,025 (119.1)	2,005 (78.9)	6	10	1,500 (3,000)	1,750 (3,500)	2,000 (4,000)	1,400 (3,000)	1,650 (3,500)	1,890 (4,000)	2,798 (6,169)	2,972 (6,552)	3,119 (6,875)	145 (5.7)	145 (5.7)	150 (5.9)	145 (5.7)	145 (5.7)	150 (5.9)
	*V330	3,325 (130.9)	2,155 (84.8)	6	10	1,500 (3,000)	1,750 (3,500)	2,000 (4,000)	1,400 (3,000)	1,650 (3,500)	1,890 (3,900)	2,818 (6,213)	2,992 (6,597)	3,139 (6,920)	145 (5.7)	145 (5.7)	150 (5.9)	145 (5.7)	145 (5.7)	150 (5.9)
	V350	3,525 (138.8)	2,255 (88.8)	6	10	1,500 (3,000)	1,750 (3,500)	2,000 (4,000)	1,400 (3,000)	1,650 (3,475)	1,890 (3,850)	2,832 (6,243)	3,006 (6,626)	3,152 (6,950)	145 (5.7)	145 (5.7)	150 (5.9)	145 (5.7)	145 (5.7)	150 (5.9)
	V370	3,725 (146.7)	2,355 (92.7)	6	10	1,500 (3,000)	1,750 (3,500)	1,950 (3,975)	1,400 (3,000)	1,650 (3,425)	1,845 (3,775)	2,845 (6,273)	3,019 (6,656)	3,166 (6,979)	145 (5.7)	145 (5.7)	150 (5.9)	145 (5.7)	145 (5.7)	150 (5.9)
	V400	4,025 (158.5)	2,505 (98.6)	6	10	1,450 (3,000)	1,735 (3,500)	1,550 (3,425)	1,365 (2,900)	1,635 (3,325)	1,465 (3,225)	2,870 (6,326)	3,044 (6,710)	3,190 (7,033)	145 (5.7)	145 (5.7)	150 (5.9)	145 (5.7)	145 (5.7)	150 (5.9)
	V450	4,525 (178.1)	2,855 (112.4)	6	6	1,375 (2,975)	1,650 (3,350)	1,500 (3,300)	1,290 (2,800)	1,550 (3,175)	1,420 (3,125)	2,936 (6,473)	3,110 (6,857)	3,257 (7,180)	145 (5.7)	145 (5.7)	150 (5.9)	145 (5.7)	145 (5.7)	150 (5.9)
	V500	5,025 (197.8)	3,105 (122.2)	6	6	1,300 (2,850)	1,450 (3,200)	1,000 (2,200)	1,225 (2,700)	1,365 (3,025)	940 (2,075)	2,970 (6,547)	3,144 (6,931)	3,290 (7,254)	145 (5.7)	145 (5.7)	150 (5.9)	145 (5.7)	145 (5.7)	150 (5.9)
	V550	5,525 (217.5)	3,355 (132.1)	6	5	1,000 (2,200)	950 (2,075)	750 (1,650)	930 (2,050)	880 (1,950)	690 (1,525)	2,990 (6,583)	3,164 (6,976)	3,311 (7,299)	145 (5.7)	145 (5.7)	150 (5.9)	145 (5.7)	145 (5.7)	150 (5.9)
3 / Stage Full Free Lift	TF370	3,735 (147.0)	1,805 (71.1)	6	6	1,500 (3,000)	1,750 (3,500)	1,925 (3,925)	1,400 (2,950)	1,650 (3,375)	1,820 (3,715)	2,913 (6,423)	3,087 (6,806)	3,243 (7,150)	1,299 (51.1)	1,299 (51.1)	1,300 (51.2)	798 (31.4)	798 (31.4)	803 (31.6)
	TF400	4,035 (158.9)	1,905 (75.0)	6	6	1,500 (3,000)	1,700 (3,475)	1,875 (3,850)	1,400 (2,875)	1,600 (3,300)	1,775 (3,650)	2,933 (6,465)	3,107 (6,849)	3,263 (7,193)	1,399 (55.1)	1,399 (55.1)	1,400 (55.1)	898 (35.4)	898 (35.4)	903 (35.6)
	TF430	4,335 (170.7)	2,005 (78.9)	6	6	1,450 (2,975)	1,700 (3,400)	1,825 (3,750)	1,365 (2,825)	1,600 (3,200)	1,725 (3,550)	2,952 (6,508)	3,126 (6,891)	3,282 (7,235)	1,499 (59.0)	1,499 (59.0)	1,500 (59.1)	998 (38.3)	998 (38.3)	1,003 (38.5)
	TF450	4,535 (178.5)	2,105 (82.9)	6	6	1,425 (2,925)	1,635 (3,325)	1,650 (3,625)	1,340 (2,750)	1,540 (3,150)	1,550 (3,450)	2,971 (6,550)	3,145 (6,933)	3,301 (7,277)	1,599 (63.0)	1,599 (63.0)	1,600 (63.0)	1,098 (43.2)	1,098 (43.2)	1,103 (43.4)
	TF470	4,735 (186.4)	2,155 (84.8)	6	6	1,400 (2,875)	1,450 (3,200)	1,350 (2,975)	1,320 (2,725)	1,365 (3,000)	1,275 (2,825)	2,983 (6,575)	3,157 (6,959)	3,313 (7,303)	1,649 (64.9)	1,649 (64.9)	1,650 (65.0)	1,148 (45.2)	1,148 (45.2)	1,153 (45.4)
	TF500	5,035 (198.2)	2,255 (88.8)	6	6	1,375 (2,800)	1,400 (3,075)	1,000 (2,200)	1,295 (2,650)	1,320 (2,925)	935 (2,075)	3,002 (6,619)	3,176 (7,003)	3,332 (7,346)	1,749 (68.9)	1,749 (68.9)	1,750 (68.9)	1,248 (49.1)	1,248 (49.1)	1,253 (49.3)
	TF550	5,535 (217.9)	2,455 (96.7)	6	5	1,050 (2,300)	1,100 (2,425)	750 (1,650)	985 (2,175)	1,030 (2,300)	690 (1,550)	3,040 (6,702)	3,214 (7,086)	3,370 (7,430)	1,949 (76.7)	1,949 (76.7)	1,950 (76.8)	1,448 (57.0)	1,448 (57.0)	1,453 (57.2)
	TF600	6,035 (237.6)	2,655 (104.5)	6	5	750 (1,650)	750 (1,650)	500 (1,100)	700 (1,550)	700 (1,550)	450 (990)	3,112 (6,861)	3,286 (7,244)	3,442 (7,588)	2,149 (84.6)	2,149 (84.6)	2,150 (84.6)	1,648 (64.9)	1,648 (64.9)	1,653 (65.1)
	TF650	6,535 (257.3)	2,855 (112.4)	3	3	500 (1,100)	500 (1,100)	450 (990)	450 (990)	450 (1,000)	400 (880)	3,157 (6,959)	3,331 (7,342)	3,487 (7,686)	2,349 (92.5)	2,349 (92.5)	2,350 (92.5)	1,848 (72.8)	1,848 (72.8)	1,853 (73.0)
	TF700	7,035 (277.0)	3,055 (120.3)	3	3	350 (775)	250 (550)	300 (660)	300 (675)	200 (450)	250 (560)	3,193 (7,038)	3,367 (7,422)	3,523 (7,766)	2,549 (100.4)	2,549 (100.4)	2,550 (100.4)	2,048 (80.6)	2,048 (80.6)	2,053 (80.8)

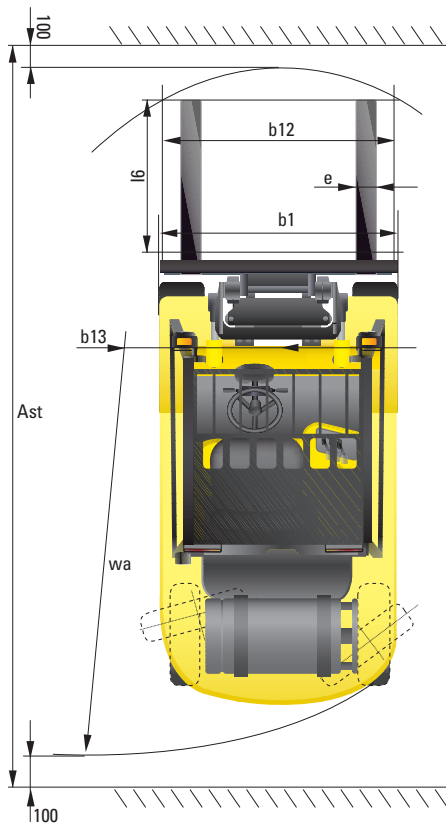
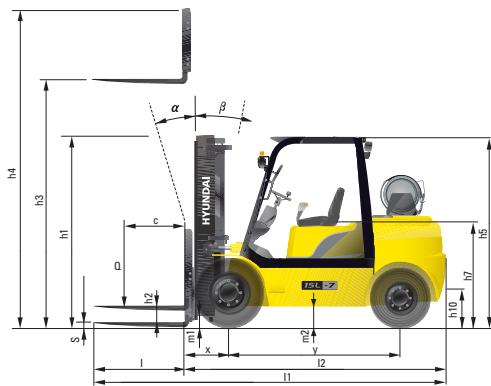
* Standard

Load Capacity



15L/18L/20LA-7

Dimensions



Specifications

Identification			
1.1	Manufacturer	Hyundai	Hyundai
1.2	Type	15L-7	18L-7
1.3	Drive: electric (battery or mains), diesel, petrol, fuel gas, manual	FUEL GAS	FUEL GAS
1.4	Type of operation: hand, pedestrian, standing, seated, order-picker	Seated	Seated
1.5	Load capacity (standard)	1,500 (3,000)	1,750 (3,500)
1.6	Load center distance	500 (24)	500 (24)
1.8	Load distance, center of drive axle to forks	394 (15.5)	394 (15.5)
1.9	Wheelbase	1,410 (56)	1,410 (56)

Weights			
2.1	Service weight	2,818 (6,213)	2,992 (6,596)
2.2	Axle loading, loaded front / rear	3,726 / 592	4,092 / 650
2.3	Axle loading, unloaded front / rear	1,276 / 1,542	1,234 / 1,759

Wheels, Chassis			
3.1	Tires: solid rubber, superelastic, pneumatic, polyurethane	Pneumatic	Pneumatic
3.2	Tires size, front	6.50 - 10 - 12PR	6.50 - 10 - 12PR
3.3	Tires size, rear	5.00 - 8 - 10PR	5.00 - 8 - 10PR
3.5	Wheels, number front / rear (x = driven wheels)	2x / 2	2x / 2
3.6	Track width, front	890 (35)	890 (35)
3.7	Track width, rear	910 (35.8)	910 (35.8)

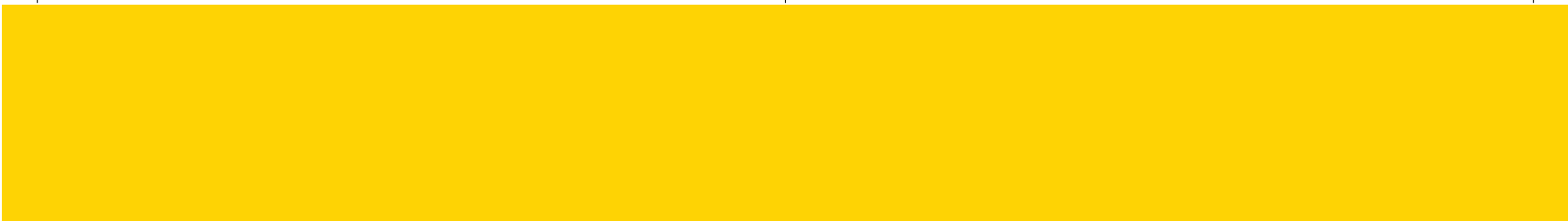
Basic Dimensions			
4.1	Mast tilt forward / backward (α/β)	degrees	6 / 10
4.2	Lowered mast height	h1 mm (in)	2,155 (85)
4.3	Free lift	h2 mm (in)	145 (5.7)
4.4	Lift height	h3 mm (in)	3,300 (130)
4.5	Extended mast height	h4 mm (in)	4,332 (171)
4.7	Overhead load guard (cab) height	h5 mm (in)	2,110 (83)
4.8	Seat height / standing height	h7 mm (in)	1,040 (41)
4.12	Coupling height	h10 mm (in)	262 (10.3)
4.19	Overall length	l1 mm (in)	3,133 (123)
4.20	Length to face of forks	l2 mm (in)	2,233 (88)
4.21	Overall width	b1 mm (in)	1,070 (42)
4.22	Fork dimensions (hook type)	L x W x T mm (in)	900 x 100 x 35 (35.4 x 4 x 1.4)
4.23	Fork carriage ISO 2328, class / type A, B		II / A
4.24	Fork-carriage width	b12 mm (in)	980 (38.6)
4.31	Ground clearance, loaded, under mast	m1 mm (in)	120 (4.7)
4.32	Ground clearance, centre of wheelbase	m2 mm (in)	145 (5.7)
4.33	Aisle width for pallets 1000 x 1200 crossways (L x W)	Ast mm (in)	3,552 (139.8)
4.34	Aisle width for pallets 800 x 1200 lengthways (W x L)	Ast mm (in)	3,752 (147.7)
4.35	Turning radius	Wa mm (in)	1,958 (77.1)
4.36	Smallest pivot point distance	b13 mm (in)	586 (23)

Performance Data			
5.1	Travel speed, unloaded	km/h (mph)	20.7 (12.9)
5.2	Lift speed, loaded / unloaded	mm / s	650 / 680
5.3	Lowering speed, loaded / unloaded	mm / s	500 / 450
5.5	Drawbar pull, loaded	kg (lb)	1,520 (1,457)
5.7	Gradient performance, loaded / unloaded	%	37 / 24
5.9	Acceleration time, loaded / unloaded (10 m)	sec	NA
5.10	Service brake		Mechanic / Hydraulic

Engine			
6.1	Engine manufacturer / type		HMC BETA
6.2	Engine power acc. to ISO 1585	kW	37
6.3	Rated speed	1/min	2,450
6.4	No. of cylinder / cubic capacity	Anz / cm ³	4 / 1,975
6.5	Fuel consumption acc. to VDI cycle	ℓ / h	NA

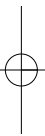
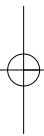
Other Details			
8.1	Type of drive control		Power Shift
8.2	Operating pressure (System / Attach)	bar	195 / 153
8.3	Hydraulic Oil volume	ℓ	30
8.4	Sound level at driver's ear according to DIN 12053	db (A)	NA

1) with DZ mast + 25 mm; with integrated sideshift x = 375 mm (with DZ mast + 25 mm); with hook-on sideshift x = 410.5 mm (with DZ mast + 25 mm)



Notes

Lined area for notes, consisting of multiple horizontal lines.



Notes

Lined area for notes.

Environmental Friendly Forklift Trucks



Quick parts supply



Easy maintenance



Global network

CERES SYSTEM

CERES (Construction Equipment Resource Support) is HHI's new information system on all Hyundai construction equipment for our overseas dealers and branch offices.

<http://ceres.hhi.co.kr>

15L / 18L / 20LA -7

- **CABIN & HEATER**
- **SIDE SHIFT**
- **INTEGRATED SIDE SHIFT**
- **FORKS**
750 mm; 850 mm; 1050 mm; 1200 mm;
1350 mm; 1500 mm
- **FORK EXTENDERS**
1300 mm; 1500 mm; 1700 mm
- **TILTING**
6/6°, 6/5°, 3/3°
- **TIRES**
Cushioned, Non-marking
- **SEAT**
Seat belt, Arm Rests, Hip Rest
- **LPG CLAMP**
Swing Out, Swing Down
- **M.C.V (Main Control Valve)**
4-Spool
- **MASTER SWITCH**
- **BEACON LAMP**
- **EMERGENCY BUTTON**
- **WORK LAMP**
- **LICENSE LAMP**
- **OPSS (Operator Presence Sensing System)**
Travel + lifting & tilting
- **HOSE-REEL**
3 Spool-piping, 4 Spool-piping

* Hyundai is continuously improving its products. Therefore it reserves the right to supply products, which may differ slightly from description and illustration in this catalog. For further information on options, consult your Hyundai dealer. Specifications are subject to change without notice.

 **HYUNDAI**
HEAVY INDUSTRIES CO., LTD.
CONSTRUCTION EQUIPMENT DIVISION

Head Office 1 CHEONHA-DONG, DONG-KU, ULSAN, KOREA
(Sales Office) Tel: (82) (52) 202-7970, 7729 Fax: (82) (52) 202-7979, 7720

U.S. Operation **Hyundai Construction Equipment U.S.A., Inc.**
955 ESTES AVENUE, ELK GROVE VILLAGE IL 60007
Tel: (1) 847-437-3333 Fax: (1) 847-437-3574

European Operation **Hyundai Heavy Industries Europe N.V.**
VOSSENDAAL 11, 2440 GEEL, BELGIUM
Tel: (32) 14-562200 Fax: (32) 14-593405 ~ 06

PLEASE CONTACT

www.hyundai.eu

EN - 2007.9 Rev 0.