



Machines

Vibratory Rammers 62 – 82 kilos
ACR 60 / ACR 68 / ADS 70

www.ammann-group.com



Full power with operator's comfort in mind





Three machines for universal application

Universal machines

The Ammann range of rammers offers the highest performance, operator's comfort, economic viability, ergonomically designed and useful optional equipment and therefore the optimal compaction machine for every construction application. The rammers can be operated under the toughest conditions in trench compaction work, back filling or in patch work on roads – even in the most confined areas.

Three strong characters

The Ammann rammers ACR 60 and ACR 68 have been developed in accordance with the newest ergonomic and environmental requirements. They are both powered by a Honda GX 100 4-stroke petrol engine with automatic oil alert system (including a well-visible LED-warning lamp) and with a carburetor with integrated pump which assures a better fuel injection leading to an always optimal engine start up.

The engine assures low emissions values meeting the US-EPA Tier III exhaust norms (impor-

tant aspect for applications in confined areas with low air circulation). Furthermore it is resistant against dirty fuel and protected from damage by a solid metal casing.

The high compaction performance combined with an extraordinary fast forward motion, the operating weights with exactly 62 kilos resp. 68 kilos and the extreme low center of gravity, due to the low mounted engine and the downward distribution of the mass make both machines very robust and reliable products.

A height-adjustable, vibration reducing handle and a fuel reservoir with extended volume of 3 litres lead to a fatigue free operation for longer periods.

Various sizes of shoe widths from 165 mm up to 330 mm assures a wide range of applications.

These new rammers contain many new and useful options:

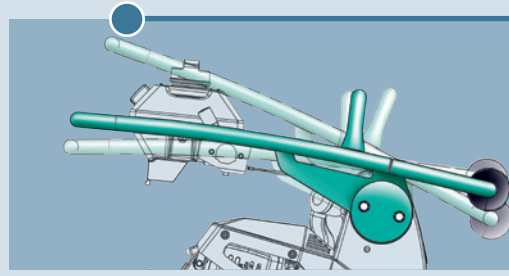
- The machine height has been reduced by approx. 10 cm due to a special adapter plate (for the operation in back fills, especially when using extremely narrow shoes)
- Cyclone pre cleaner for the air filter (gives up to five times longer service intervals)
- Air filter service indicator
- Operation hour meter with engine speed indicator and reminder for oil change



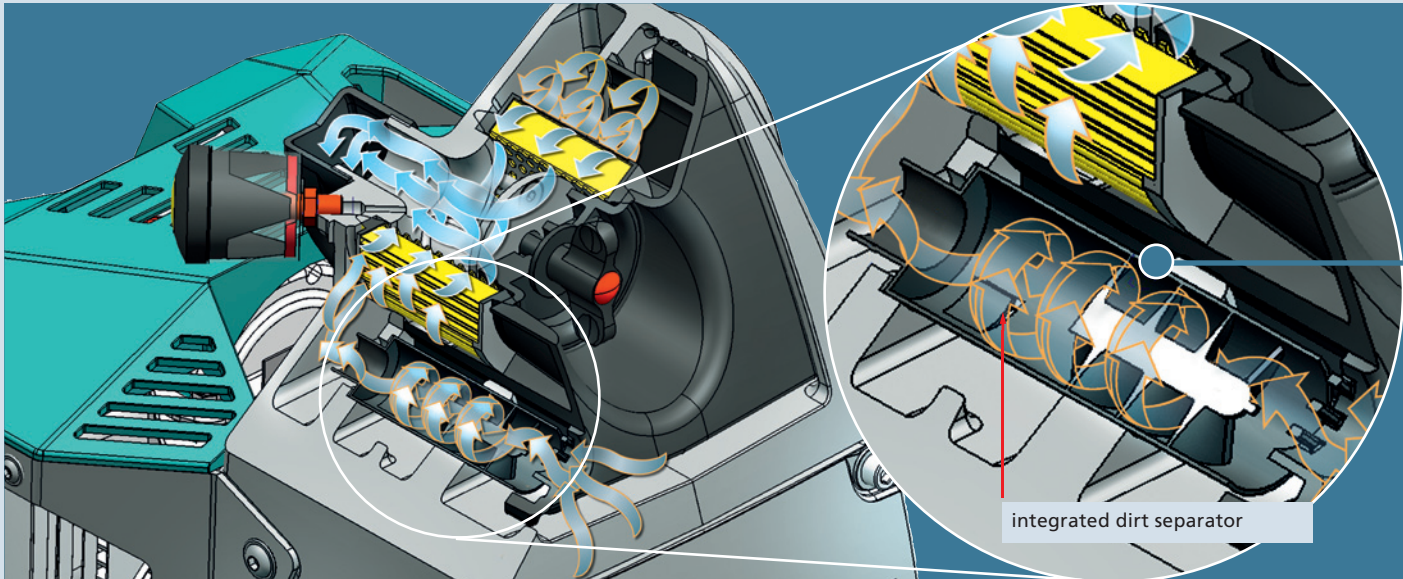
The range of Ammann rammers is completed by the robust and strong model ADS 70 powered by a Yanmar diesel engine and an operating weight of 83 kilos. As usual with your heavy duty construction machinery this rammer consumes diesel fuel so that just one type of fuel has to be made available on the job site.



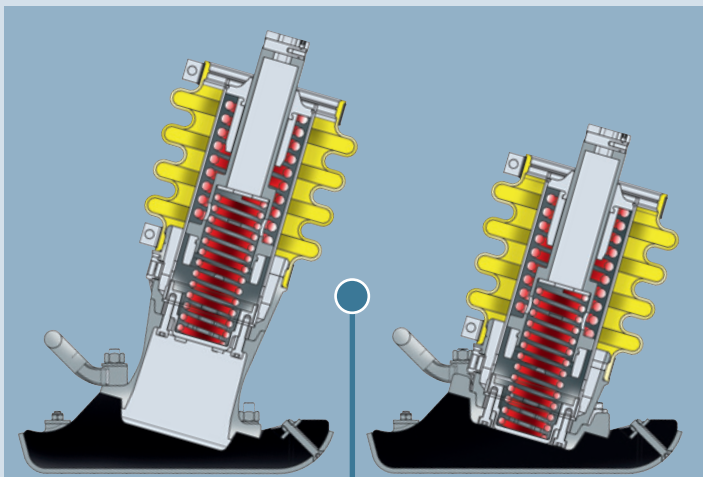
Highest flexibility in operation



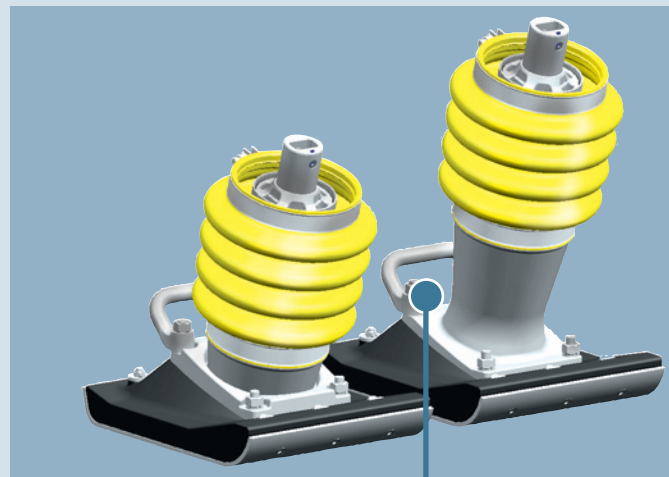
Optimal ergonomics thanks to height-adjustable guiding handle



Voluminous but finely woven air filter with self-cleaning effect optionally equipped with a cyclone pre cleaner and a service indicator (gives up to five times longer service intervals)



Option: reduction of machine height by approx. 10 cm by a special adapter plate



Option: reduction of machine height



More efficiency thanks to newest technology

High manoeuvrability in confined areas thanks to short guiding handle

Operator's comfort: sure-grip and vibration isolated guiding handle

Modern carburetor with integrated accelerator pump for trouble-free quick engine start

Solid engine protection casing

Standard engine equipment: automatic oil alert system with LED warning lamp

Additional handle for easy transport and loading

Tamper shoe made of high quality synthetic material with integrated steel plate – option: Wear and tear steel plate protection on both sides

Fuel reservoir with extended volume and integrated filter

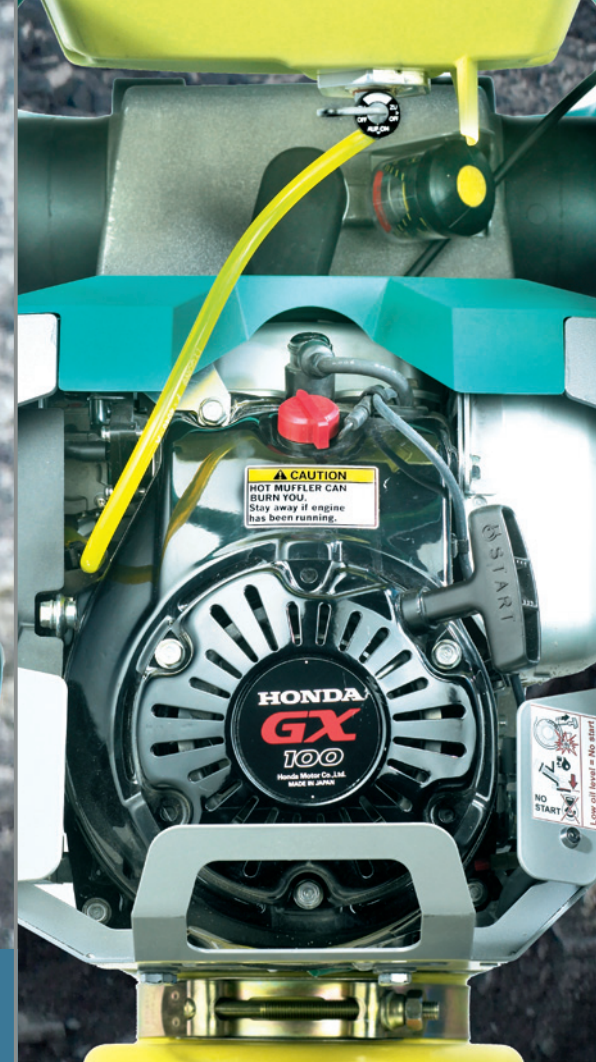
Convenient transport device

Additional rolls for easy loading and unloading

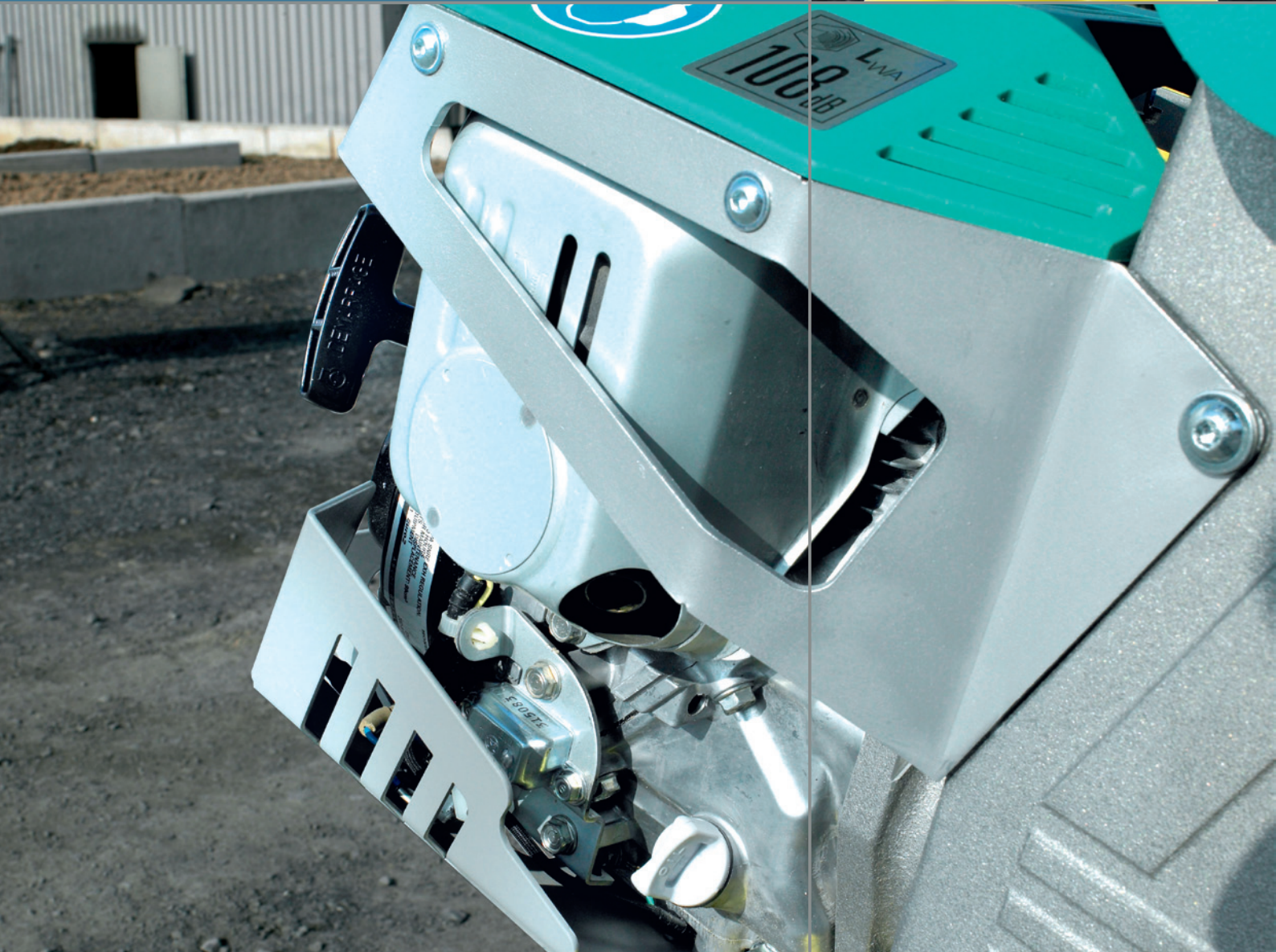
Improved forward motion thanks to lower center of gravity and fine tuned machine design

Robust gear box housing

Innovative spring assembly for a compact design of the spring leg



Several useful standard components



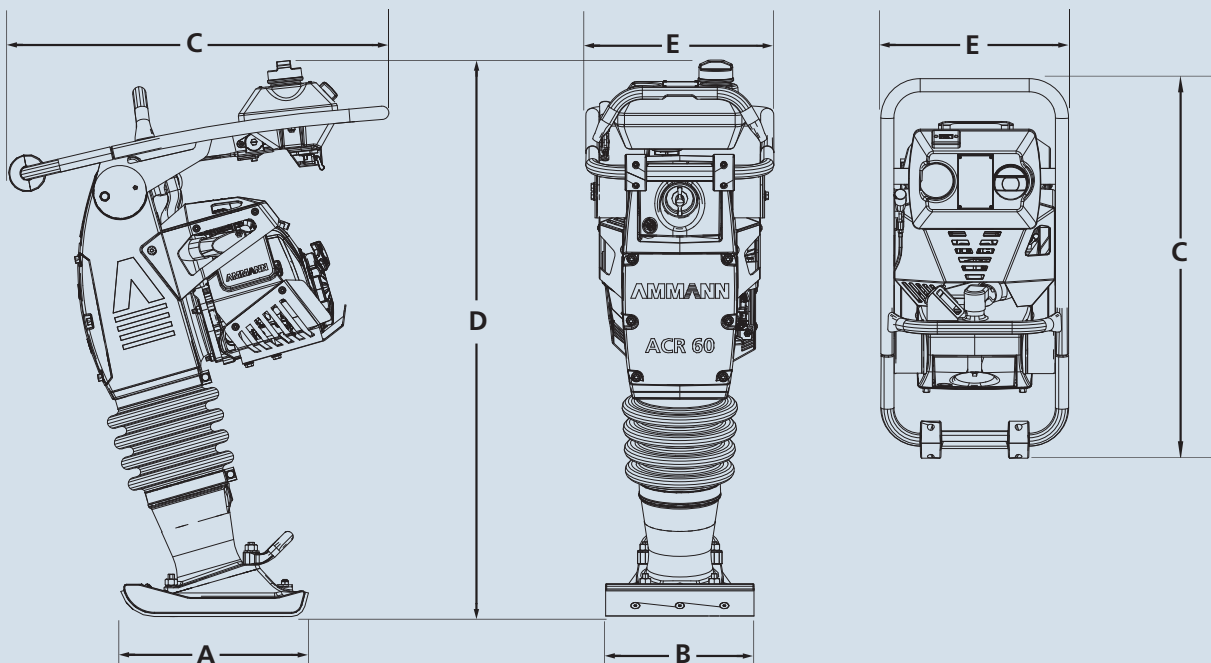


Technical Data

		ACR 60	ACR 68	ADS 70		
		petrol	petrol	diesel		
Working width	mm	280	280	280		
Weight						
Operating weight	kg	62	68	82		
Drive						
Engine / Type		Honda GX 100	Honda GX 100	Yanmar L 48 AE		
Engine output	HP/kW	3,0/2,2	3,0/2,2	4,4/3,2		
at rpm	1/min	4300	4300	3250		
Vibration						
Percussion rate	blows / min	680	680	730		
Stroke	mm	65	65	60		
Centrifugal force	kN	11,5	13	14		
Surface capacity	m ² / h	225	225	210		
Filling capacities						
Fuel tank capacity	l	3,5	3,5	3		
Fuel	l	Petrol	Petrol	Diesel		
Motion						
Travel speed	m/min	13,5	13,5	13		
max. compaction performance*	cm	45	50	60		
optional foot sizes width	mm	165 - 230 - 260 - 330 - 400	165 - 230 - 260 - 330 - 400	230 - 260 - 330 - 400		
Dimensions	mm	A	B	C	D	E
ACR 60		340	280	710	1020-1120	355
ACR 68		340	280	710	1020-1120	355
ADS 70		340	280	780	950	365

*depending on ground conditions

Specifications are subject to change due to technical improvements.



Ammann distribution companies:

Germany:

Ammann Verdichtung GmbH
D-53773 Hennef
Tel +49 22 42 880 20
Fax +49 22 42 88 02 59
info.avd@ammann-group.com

France:

Ammann France SA
F-94046 Créteil/Cedex
Tel +33 1 45 17 08 88
Fax +33 1 45 17 08 90
info.afr@ammann-group.com

United Kingdom:

Ammann Equipment Ltd.
Bearley Stratford-upon-Avon
GB-Warwickshire, CV37 OTY
Tel +44 1789 414 525
Fax +44 1789 414 495
info.ael@ammann-group.com

USA:

Ammann America Inc.
Ponte Vedra, Florida 32082, USA
Tel +1 904 543 1691
Fax +1 904 543 1781
info@ammann-america.com

Poland:

Ammann Polska sp.zo.o.
02-230 Warszawa
Tel +48 22 33 77 900
Fax +48 22 33 77 929
info.aep@ammann-group.com

Russia:

Ammann Russland o.o.o.
RU-129343 Moskau
Tel +7 495 933 35 61
Fax +7 495 933 35 67
info.aru@ammann-group.com

Ammann manufacturing companies:

Switzerland:

Ammann Schweiz AG
CH-4901 Langenthal
Tel +41 62 916 63 56
Fax +41 62 916 64 03
info.aag@ammann-group.com

Germany:

Ammann Verdichtung GmbH
D-53773 Hennef
Tel +49 22 42 880 20
Fax +49 22 42 88 02 59
info.avd@ammann-group.com

Czech Republic:

Ammann Czech Republic a.s.
CZ-54901 Nové Město nad Metují
Tel +420 491 476 111
Fax +420 491 470 405
info.acz@ammann-group.com

