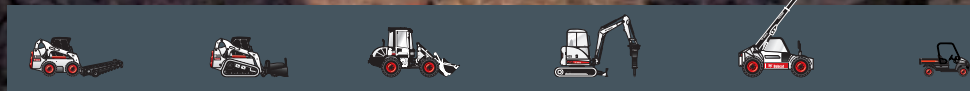




Bobcat®

334

Compact Excavators



Weights

Operating weight with ROPS canopy	3419 kg
Additional weight for cab with heater	119 kg
Additional weight for cab with HVAC	141 kg
Additional weight for steel tracks	72 kg

Engine

Make / model	Kubota / V2203-M-DI-E2B-BC-4
Fuel / Cooling	Diesel / Liquid
Maximum power at 2400 RPM (ISO 9249)	30.3 kW
Torque at 1500 RPM (ISO 9249)	140.3 Nm
Number of cylinders	4
Displacement	2.2 l
Bore / Stroke	87.0 mm / 92.4 mm
Alternator	12 V — 90 A
Starter	12 V — 2.0 kW

Controls

Steering	Direction and speed controlled by two hand levers or foot pedals
Hydraulics	Two joysticks control boom, bucket, dipperstick and upper structure slew

Hydraulic System

Pump type	Dual-outlet variable displacement piston pumps
Pump capacity	2 x 38.4 l/min at 2400 RPM
Auxiliary flow	62.1 l/min
Control valve	Ten-spool closed centre parallel series

Performance

Digging force, dipperstick	14719 N
Digging force, bucket	30541 N
Drawbar pull	34838 N
Ground pressure with rubber tracks	30.5 kPa
Travel speed, low range	2.7 km/h
Travel speed, high range	5.2 km/h
Maximum digging depth	3403 mm

Slew System

Boom swing, left	90°
Boom swing, right	50°
Slew circle	Single row shear-type ball bearings with internal gear
Slew drive	Orbit motor
Slew rate	9.2 RPM

Traction

Track width, rubber, standard	320 mm
Number of track rollers per side	4
Gradeability	30°

Brakes

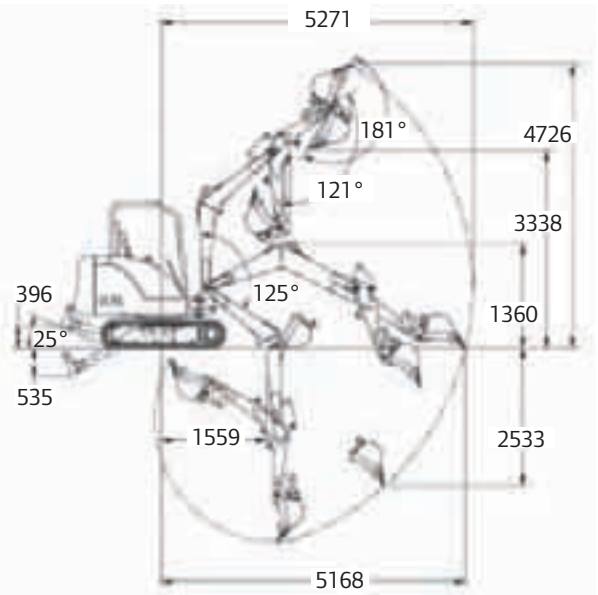
Travel brake	Hydraulic lock on motor
Slew brake	Hydraulic lock on motor and pin lock

Fluid Capacities

Cooling system	17.0 l
Engine lubrication plus oil filter	7.1 l
Fuel reservoir	53.3 l
Hydraulic reservoir	29.5 l
Hydraulic system	44.0 l

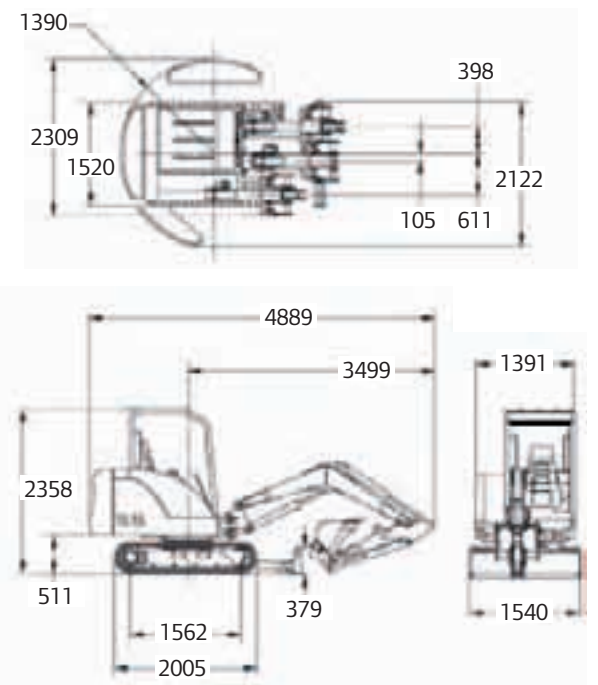
Working Range

All dimensions in mm.



Dimensions

All dimensions in mm.



www.bobcat.eu

