



# 180 D

## Diesel operated Arm Lift Mobile Crane

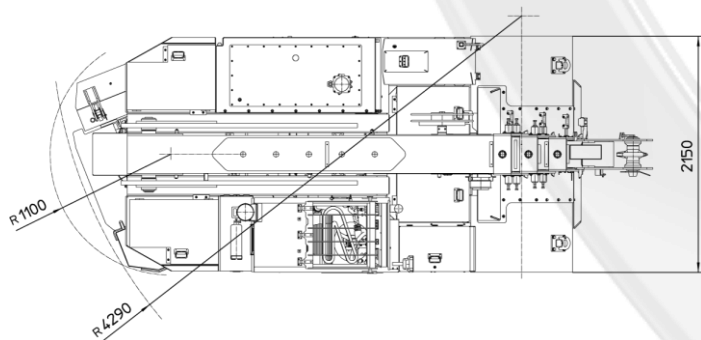
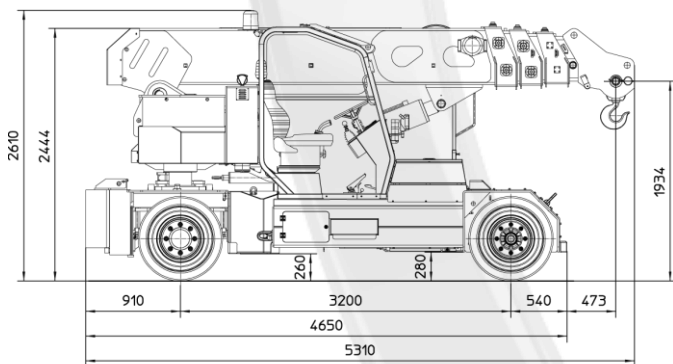
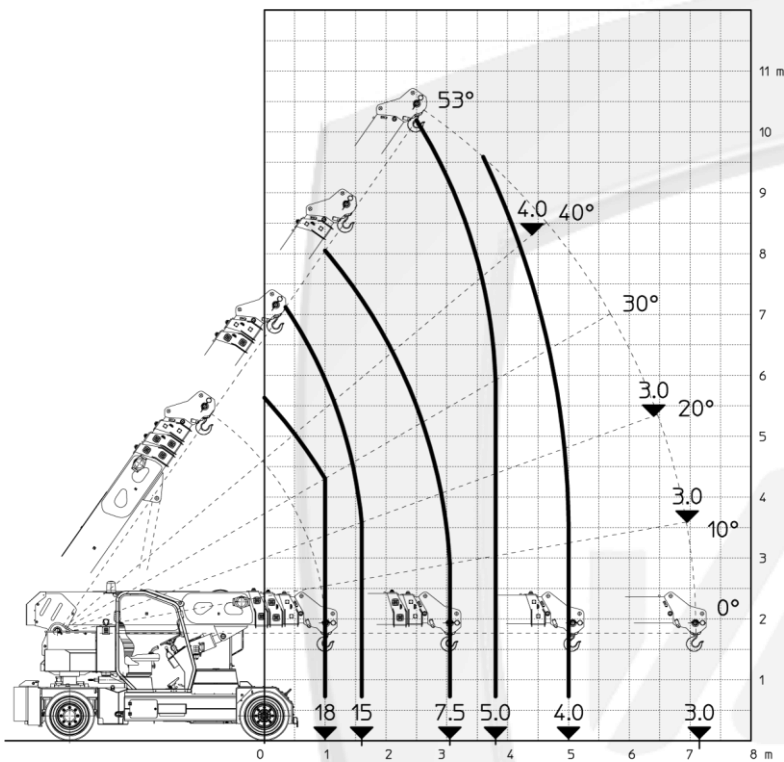


### FEATURES

**MAX CAPACITY** 18.000 kg  
**MAX BOOM EXTENSION** 7.15 m  
**MAX BOOM ANGLE** 53°  
**MIN BOOM ANGLE** 0°  
**WEIGHT** 19.000 kg  
**REMOVABLE COUNTER** 3.450 kg  
**CONFORMITY** 2006/42 CE; 2014/30 CE;  
 2014/35 CE; 2000/14 CE; EN 13000

<b>CHASSIS</b>	6 wheels structure made in high quality steel, with internal counterweights and operator cab
<b>WHEELS</b>	Front: n°4 superelastic wheels 355/65 - R15" Rear: n°2 superelastic wheels 355/65 - R15"
<b>TRACTION</b>	Diesel 5 cylinders engine, air cooled, EU NRMMMD 97/68 EC Stage IIIa o Stage IVa
<b>TRANSMISSION</b>	Automatic (hydrostatic) "automotive". Differential axle. Max speed 15 Km/h.
<b>BRAKES</b>	Foot hydraulically operated brakes (disc on front, drums on rear wheels). Parking hand brake mechanically operated
<b>SUSPENSIONS</b>	Oscillating rear unit with mechanical lock
<b>BOOM</b>	Manufactured in high quality steel, composed by four elements: main boom and three telescopic hydraulic sections on nylon sliding pads
<b>BOOM'S CONTROL</b>	By joystick
<b>DRIVING MODE</b>	Automotive type hydro-guide which drives an articulated cylinder between the propulsion unit and the chassis.
<b>OPERATOR'S PROTECTION</b>	Made of sturdy 4-post steel frame with steel grille with full visibility
<b>WEIGHT AND CAPACITY</b>	Total weight: approx. Kg. 19.000                      Max Capacity: Kg 18.000
<b>SAFETY SYSTEM</b>	Electronic load moment indicator (LMI) with display showing: lifted load, max allowed load, tilting percentage, operating radius, angle, telescope and light indicators on the operative mode
<b>OPTIONALS</b>	Hydraulic winch, loading platform, Jib, radio control only for aerial part, closed cabin, heated cabin

The values shown may vary depending on the configuration of the machine. The values shown may change at any time without notice



Removable counter (3450 kg) to facilitate the crane's transport



VALLA MANITEX SRL  
Via Leonardo da Vinci 12  
29016 - Cortemaggiore (PC) - ITALY

PHONE: +39 0523 256411  
EMAIL: info@valla.com  
SITE: www.valla.com